

Ther-IN-33C 18-HD60D15-3

Installer's Guide

Outdoor Thermostat Supplementary Heat Control

Models:
BAYSTAT033AC

Used With:
TTA060, 090, 120, 180 & 240
TTA090, 120A, TTA120-240B
TTA120 & 180C, TTA240F
WCC018-060F
DCX030-036F
*WC*024-60

ALL phases of this installation must comply with NATIONAL, STATE AND LOCAL CODES.

IMPORTANT — This Document is customer property and is to remain with this unit. Please return to service information pack upon completion of work.

General

The outdoor thermostat (ODT) is designed to turn "ON" the supplementary heater at a pre-selected outdoor temperature. The number and setting of the ODT is dependent on the heat loss of the structure, and capacity of the heating system.

Inspection

Check the package and contents for damage. Report any damage immediately to the transportation company, and make any appropriate claims.

Installation

WARNING

Hazardous Voltage with Capacitors!

Disconnect all electric power, including remote disconnects and discharge all motor start/run capacitors before servicing. Follow proper lockout/tagout procedures to ensure the power cannot be inadvertently energized. For variable frequency drives or other energy storing components provided by Trane or others, refer to the appropriate manufacturer's literature for allowable waiting periods for discharge of capacitors. Verify with an appropriate voltmeter that all capacitors have discharged. Failure to disconnect power and discharge capacitors before servicing could result in death or serious injury.

1. Remove securing screws and cover from the enclosure.
2. Position enclosure assembly on the unit in a convenient location that will not be exposed to direct sunlight. Secure with self-drilling screws through the embossed holes in the back of the enclosure.

CAUTION

Equipment Damage!

If the ODT is installed on the condenser, use caution when determining placement to avoid damage to the unit coil or other internal components.

3. If the red and blue wires are not required in your particular application, remove them from the emergency heat relay coil and discard. This will prevent them from short-circuiting. (See Figure 1).

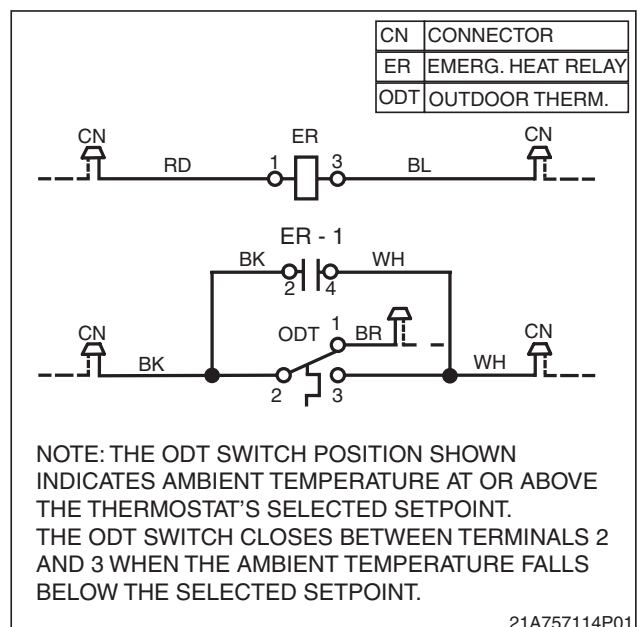


Figure 1 – BAYSTAT033AC Wiring Schematic

General Information

4. Route the low voltage wires from the air handler and/or heat pump through the bushing of the ODT enclosure. Make the connections to the **ODT** per the air handler and/or heat pump interconnecting wiring diagram provided in the unit IOM and/or the unit.
5. Position the thermostat capillary in the enclosure to prevent any contact with electrical devices.
6. Reinstall the enclosure cover and secure with screws that were removed.

Temperature Setting

This model ODT has a temperature range from 40 to -10 degrees F. The switching action is single pole/double throw. Temperature selection is achieved by rotating the knob to desired temperature setting. (See Figure 2).

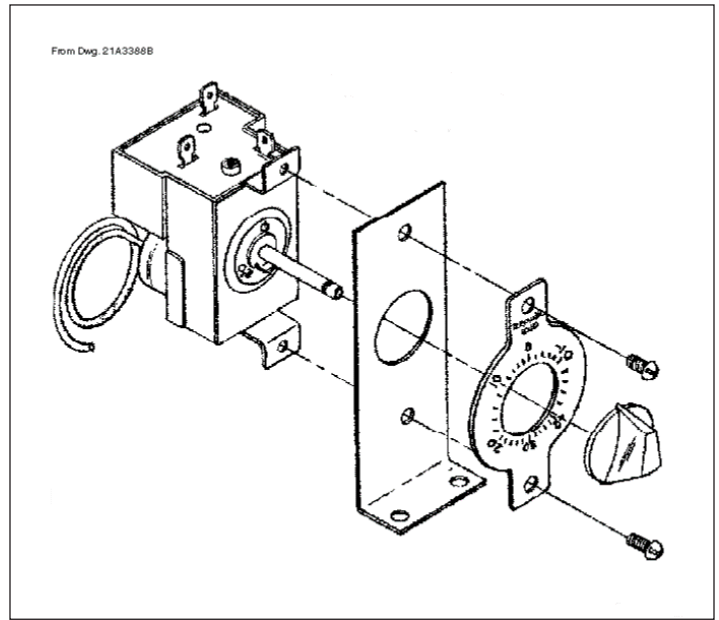


Figure 2 – Thermostat Detail

About Trane and American Standard Heating and Air Conditioning

Trane and American Standard create comfortable, energy efficient indoor environments for residential applications. For more information, please visit www.trane.com or www.americanstandardair.com

The manufacturer has a policy of continuous data improvement and it reserves the right to change design and specifications without notice. We are committed to using environmentally conscious print practices.

Ther-IN-33C 20 Oct 2023

Supersedes Ther-IN-33B (Feb 2006)

© 2023