



TRANE[®]

Installation

Location of Parts for KIT09171

Models: RTAA



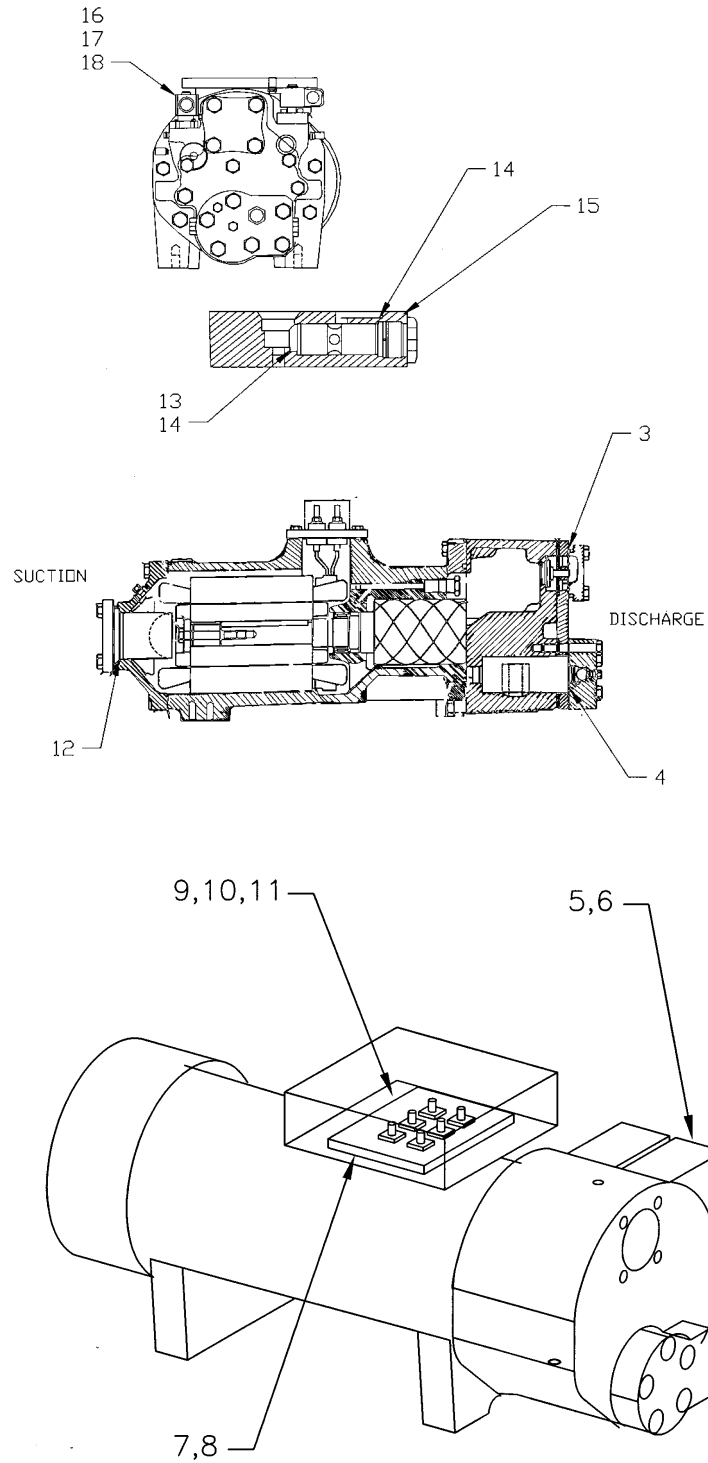
Installation

Table 1. KIT09171

Component Location Number	Part Name	Mnemonic	Qty per KIT
1	Ring; Suction Flange to Compressor	RNG01405	1
2	Control; Low Pressure Cutout	CNT01317	1
3	Gasket; Discharge Service Valve	GKT03659	1
4	Filter; Oil, 2.75 OD x 6.35 ID (Includes GKT03057 & WAS00836)	FLR01353	1
5	Valve; Solenoid	VAL02843	2
6	Gasket; Solenoid Valve	GKT01612	2
7	Plate; Terminal	PLT02084	1
8	Gasket; Terminal Plate	GKT03038	1
9	Ring; Motor Terminal	RNG01400	6
10	Terminal; Motor	STU00068	6
11	Kit; Terminal Rebuild (Consists of: 12 Insulators, 6 Seals, Terminal Plate Gasket, 6 Nut & 6 Washer)	KIT03909	1
12	Gasket; Suction Service Valve (35 & 40 Ton Compressor)	GKT03659	1
12	Gasket; Suction Service Valve (50 & 60 Ton Compressor)	GKT03660	1
13	Valve; Oil Control	VAL05018	1
14	Ring; Oil Control Valve	RNG01399	2
15	Ring; Retainer, Oil Control Valve	RNG01441	1
16	Coil; Female Solenoid Valve	COL09468	1
17	Ring; Female Solenoid Valve	RNG01397	3
18	Valve; Female Solenoid	VAL05054	1

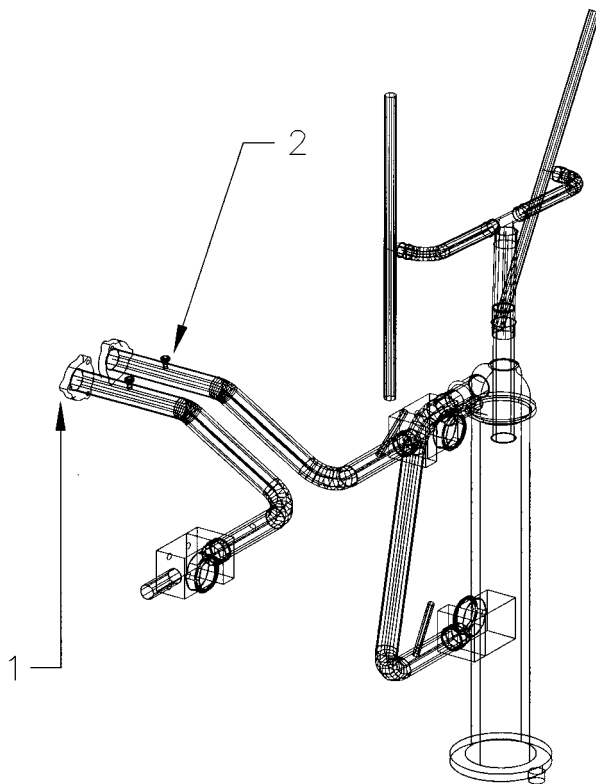
Installation

Component Locations



Installation

Component Locations



Trane
A business of American Standard Companies
www.trane.com

For more information, contact your local district office or e-mail us at comfort@trane.com

Literature Order Number	PART-SVN54A-EN
-------------------------	----------------

File Number	SV-General-PART-SVN54A-EN-0903
-------------	--------------------------------

Supersedes	New
------------	-----

Stocking Location	Electronic Only
-------------------	-----------------

Trane has a policy of continuous product data and product improvement and reserves the right to change design and specifications without notice. Only qualified technicians should perform the installation and servicing of equipment referred to in this bulletin.