

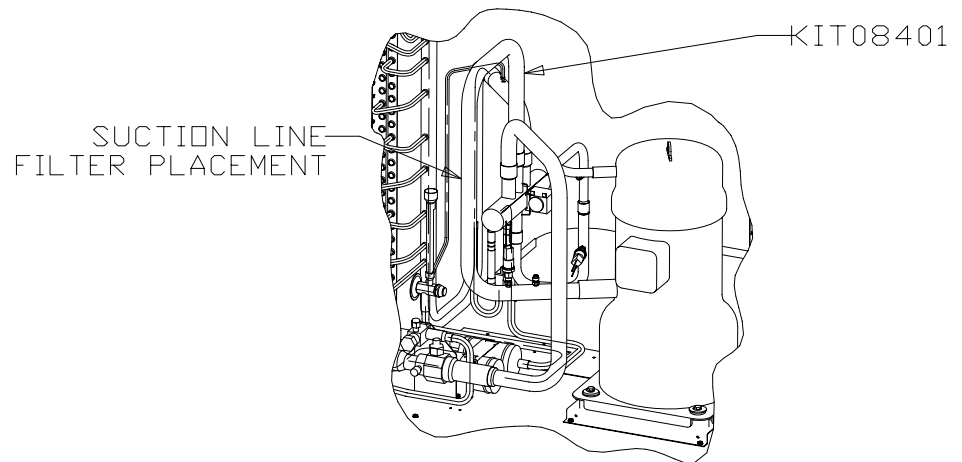


**TRANE®**

## Installation

---

### Compressor Replacement Kit for CSHB to CSHC Conversion, KIT08401



Compressor replacement illustration for TWA090A

**Models:** CSHC, CSHB, TWA090A

# Installation

---

## Compressor Replacement Kit for CSHB to CSHC Conversion

### KIT08401 includes

1 - Suction tube assembly, part number D670663G01

### Instructions

1. Remove compressor by following compressor service guidelines.
2. Remove current suction tube from compressor.
3. Replace compressor and braze new tube(s) into new compressor.
  - It is important that a dry nitrogen purge is used while brazing.
  - Make sure not to overheat service valve or reversing valve. Use a wet rag to cool parts while brazing.
  - Add suction line filter when necessary.



**Trane**  
A business of American Standard Companies  
[www.trane.com](http://www.trane.com)

For more information, contact your local district office or e-mail us at [comfort@trane.com](mailto:comfort@trane.com)

---

Literature Order Number	PART-SVN32A-EN
File Number	SV-Compressors-PART-SVN32A-EN-0503
Supersedes	New
Stocking Location	Electronic Only

---

*Trane has a policy of continuous product data and product improvement and reserves the right to change design and specifications without notice. Only qualified technicians should perform the installation and servicing of equipment referred to in this bulletin.*