



**TRANE®**

# Installation

---

## **Motor Terminal Clamp Assembly Kit, KIT02298**

**Models:**

CDHF, CDHG, CVGF, CVHE, CVHF, CVHG

---

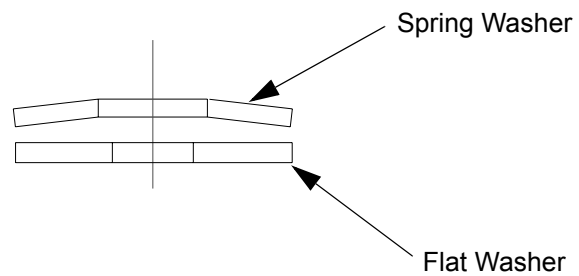
**PART-SVN18A-EN**

# Installation

Item Number	Description	Quantity
1	Clamp	1
2	Washer; Flat 1.03 OD	2
3	Washer; Spring, 0.945 OD	2
4	Lock Washer; 0.38	1
5	Screw; 0.38-16 x 1.50	1
6	Nut; 0.38-16	2
7	Screw; 0.38-16 x 2.25	1

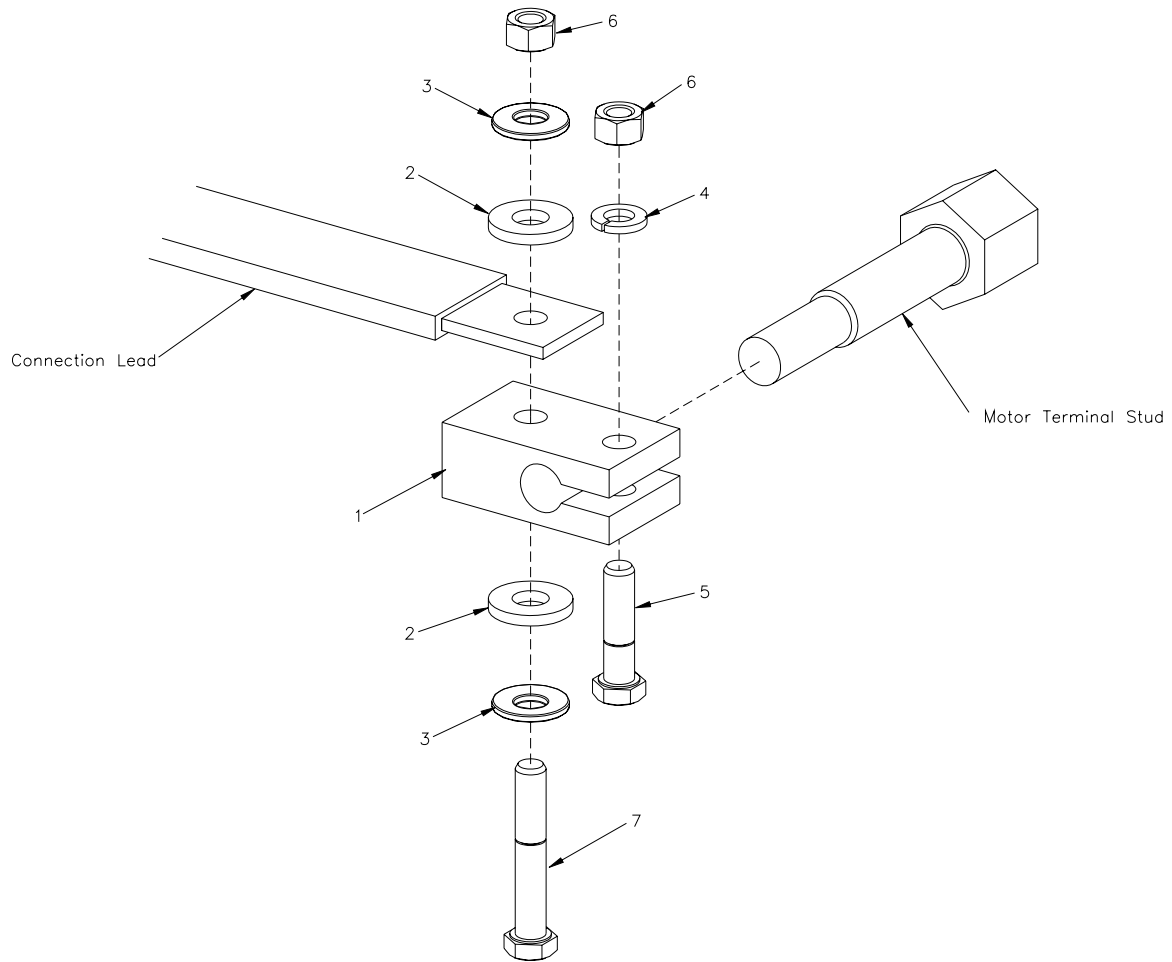
**Important:** This assembly contains two spring washers, it is important that they are installed correctly. See diagram below.

The spring washer has a slight bend in it, this bend should face away from the flat washer (Item 2).



# Installation

---





**Trane**  
A business of American Standard Companies  
[www.trane.com](http://www.trane.com)

For more information, contact your local district office or e-mail us at [comfort@trane.com](mailto:comfort@trane.com).

---

Literature Order Number	PART-SVN18A-EN
File Number	SV-PART-Motors-PART-SVN18A-EN-0902
Supersedes	2764-0001-21-00
Stocking Location	La Crosse

---

*Trane has a policy of continuous product data and product improvement and reserves the right to change design and specifications without notice. Only qualified technicians should perform the installation and servicing of equipment referred to in this bulletin.*