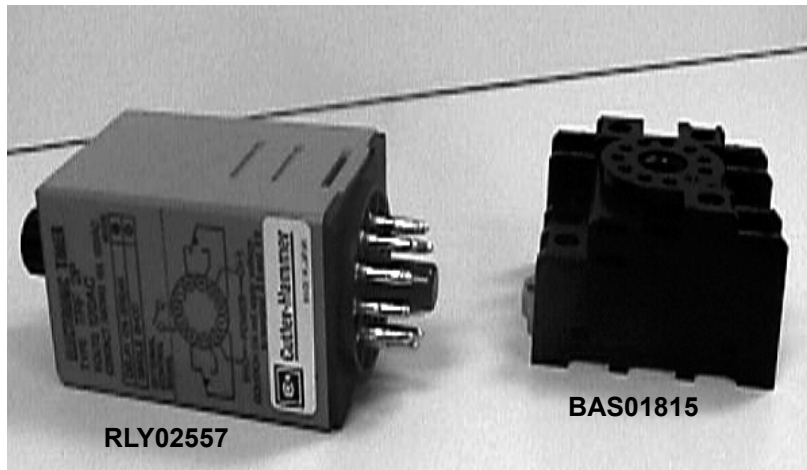




TRANE®

Installation

Replacement of Relay, RLY01960, with Relay, RLY02557, and Base, BAS01815



Models: CVSF, RTSB



Installation

⚠ WARNING

High Voltage!
Disconnect all electric power including remote disconnects before servicing. Failure to disconnect power before servicing can cause severe personal injury or death.

Relay, RLY01960 is obsolete and will no longer be available for purchase. A functional replacement is relay, RLY02557 and base, BAS01815. A few minor modifications will be needed in order for these replacement parts to work properly. Timer Programming Instructions have been included with RLY02557. These instructions must be followed closely for proper operation.

Note: The Timer Programming Instructions ask the installer to determine the operation mode group and time range group per the catalog part numbers on the RLY02557 box.

For RLY02557 use:

- Operation Mode Group = 2
- Delay on Break
- Time Range Group = 10 minutes

Mount RLY02557 and BAS01815 in a convenient location. New mounting holes will need to be drilled. Remove the leads from RLY01960 and replace them in the corresponding terminals on BAS01815 per Table 1. Not all terminals will be used.

Table 1 — Terminal Cross Reference

RLY01960 (Old)	BAS01815 (New)
L1	2
L2	10
P	5 & 6 to 2K2 aux. contacts
C3	1
C4	3

Installation

Figure 1 — Typical Wiring of RLY01960, Old

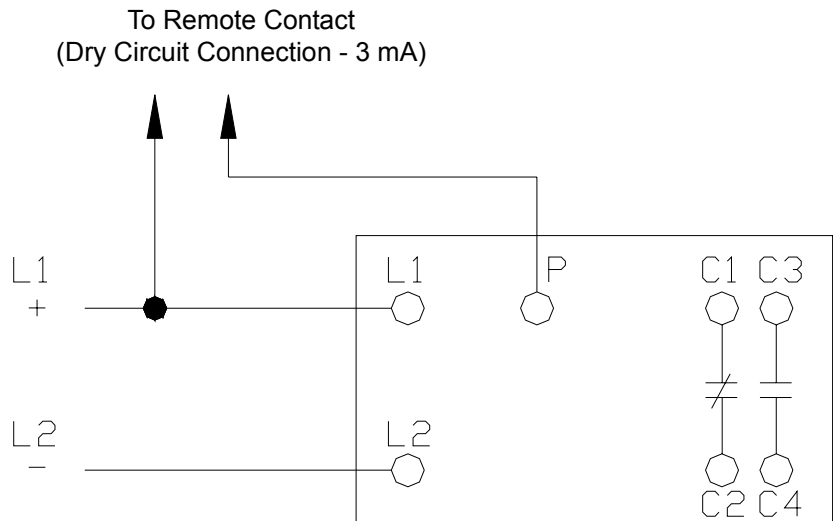
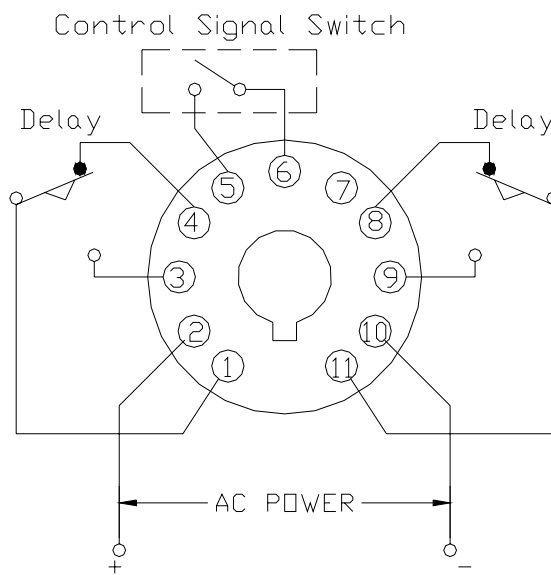


Figure 2 — Wiring Diagram for RLY02557, New (Delay on Break)



Do not apply voltage to
Terminals 2 and 5



The Trane Company
Aftermarket Business Unit
3600 Pammel Creek Road
La Crosse, WI 54601
www.trane.com
An American Standard Company

Literature Order Number	PART-SVN04A-EN
File Number	SV-CAP-Controls-Relays-PART-SVN04A-EN-0801
Supersedes	New
Stocking Location	La Crosse

Since The Trane Company has a policy of continuous product and product data improvement, it reserves the right to change design and specifications without notice. Only qualified technicians should perform the installation and servicing of equipment referred to in this publication.