



# Installation

# PART-IN-20

Library	Service Literature
Product Section	Service Products
Product	Parts
Model	YCD, BAYECON, BAYICS
Literature Type	Installation
Sequence	20
Date	February 1999
File No.	SV-SP-000-PART-IN-20-299
Supersedes	New

## Temperature Control Limit Switch

The temperature limit switch, CNT01415, used on YCD rooftop units has been replaced by CNT01031. The replacement is straightforward but the terminal labels have changed.

The original switch, CNT01415, contains a normally closed switch that opens on temperature rise. This switch is between terminals #1 and #2, the only terminals on the switch. See Figure 1 below.

The replacement switch, CNT01031, has 3 terminals. The normally closed, open on temperature rise switch is between terminals #1 and #3. A normally open, close on temperature rise switch is between terminals #1 and #2. Therefore, when CNT01031 is used to replace CNT01415, the connections will be made across terminals #1 and #3. Terminal #2 will not be used. See Figure 2 below.

Figure 1 — Original Switch,

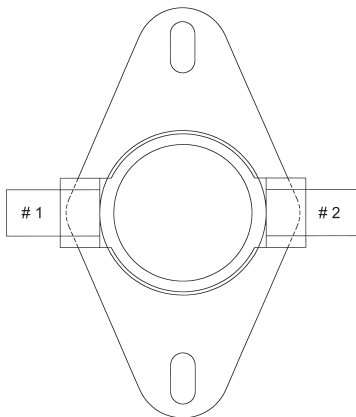
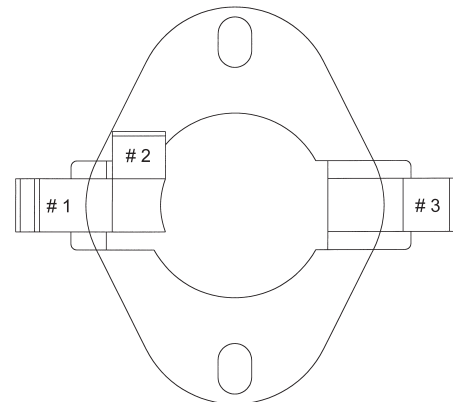


Figure 2 — Replacement Switch,



Since The Trane Company has a policy of continuous product improvement, it reserves the right to change specifications and design without notice.