

INSTALLER'S GUIDE

EHTR-IN-34C
18-HB20D2-4

Library	Service Literature
Product Section	Unitary
Product	Unitary Accessories
Model	Electric, Steam, Hot Water Coils
Literature Type	Installer's Guide
Sequence	34C
Date	April 2000
File No.	SV-UN-ACC-EHTR-IN-34C 4/00
Supersedes	EHTR-IN-34B

IMPORTANT -- This is customer property and is to remain with this unit. Please return to service information pack upon completion of work.

Models:

BAYSPEK047A-
BAYSPEK053A

Used With:

TCC / WCC - F
TCM / WCM - F
TCP / WCP - F
TCX / WCX - G
TCY / WCY - G WCZ - F

**Single Power
Entry Kit**

SINGLE POWER ENTRY KIT	HEATER MODEL	UNIT MODEL
BAYSPEK047A	BAYHTRN105A BAYHTRN108A BAYHTRN110A BAYHTRN306A BAYHTRN310A,310F BAYHTRN315A BAYHTRN406A BAYHTRN410A,410F BAYHTRN415A BAYHTRN420A BAYHTRN430A BAYHTRNW10A BAYHTRNW15A BAYHTRNW20A BAYHTRNW30A	TC*/WC*018-042F/G1; TCM/WCM030-042F1 TC*018-042F/G1; WC*018,024F/G1; TCM030-042F1 TC*024-048F/G1; TCM030-042F1 TC*/WC*036,048,060F/G3 TC*036-060F/G3; WC*036-048F/G3 TC*036-060F/G3 TC*/WC*036,048,060F/G4 TC*/WC*036,048,060F/G4 TC*/WC*036,048,060F/G4 TC*/WC*048,060F/G4 TC*/WC*060F/G4 TCC/WCC036,048,060FW TCC/WCC036,048,060FW TCC/WCC048,060FW TCC/WCC060FW
BAYSPEK048A	BAYHTRN115A BAYHTRN117A BAYHTRN123A	TC*/WC*030-048F.G1; TCM/WCM030-042F1 TC*/WC*030-048F/G1; WCM/TCM030-048F1 TC*/WC*048F/G1
BAYSPEK049A	BAYHTRN108A BAYHTRN110A BAYHTRN112A	WC*030-042F/G1; WCM030-042F1 WC*024-048F/G1; WCM030-042F1 TC*/WC024-048F/G1; TCM/WCM030-042F1
BAYSPEK050A	BAYHTRN330A	TC*/WC*060F/G3
BAYSPEK051A	BAYHTRN310A,310F BAYHTRN315A BAYHTRN320A	WC*060F/G3 WC*036-060F/G3 TC*/WC*042-060F/G3
BAYSPEK052A	BAYHTRN115A BAYHTRN117A BAYHTRN123A	TC*/WC*060F/G1 TC*/WC*060F/G1 TC*/WC*060F/G1
BAYSPEK053A	BAYHTRN105A BAYHTRN110A BAYHTRN112A	TCC060F1 TC*/WC*060F/G1 TC*/WC*060F/G1

* = "C", "P", "X", "Y", or "Z"

Since The Trane Company has a policy of continuous product and product data improvement, it reserves the right to change design and specification without notice.

INSTALLER'S GUIDE

GENERAL

These instructions are for the installation of single point power entry kit in single package units described in the table on page 1.

1. Check for any shipping damage, and if any, report it to the carrier immediately.
2. Check the single power entry kit nameplate and compare with the table on page 1, make certain that the available power supply complies with the particular single power entry kit, heater and unit model being used.
3. The field electrical connections and wiring must be done in accordance with the "National Electrical Code" and must comply with local electrical codes.

▲WARNING: TO PREVENT INJURY OR DEATH DUE TO ELECTRICAL SHOCK OR CONTACT WITH MOVING PARTS. LOCK UNIT DISCONNECT SWITCH IN OPEN POSITION BEFORE SERVICING UNIT.

INSTALLATION OF SINGLE POWER ENTRY KIT

1. Remove screws that secure the air conditioner's or heat pump's heater and control box access panels.
2. Remove and discard sheet metal screws from where the single power entry kit is to be mounted in the unit. See Figures 1 and 2.
3. Insert grommet in hole that leads to the control compartment where unit power and field wires will pass thru.
4. Position single power entry kit to unit as illustrated in Figures 1 and 2.
5. Secure single power entry kit to unit with screws provided in kit.

NOTE: The BAYSPEK047A kit does not include a hinged access door.

6. Make all electrical connections to the unit and heater in accordance with the appropriate wiring diagram in this instruction and attached to the specific single power entry kit.

IMPORTANT: The two (2) nameplate labels included with the single power entry kit, must be attached to the air conditioning unit or heat pump unit as illustrated below.

The smaller label must be placed over the unit nameplate to cover the unit only min. circuit ampacity and fusing.

The "single power entry installed" nameplate must be placed over the "heater installed" nameplate.

Check the appropriate kit, heaters and unit combination.

HIGH VOLTAGE FIELD WIRING

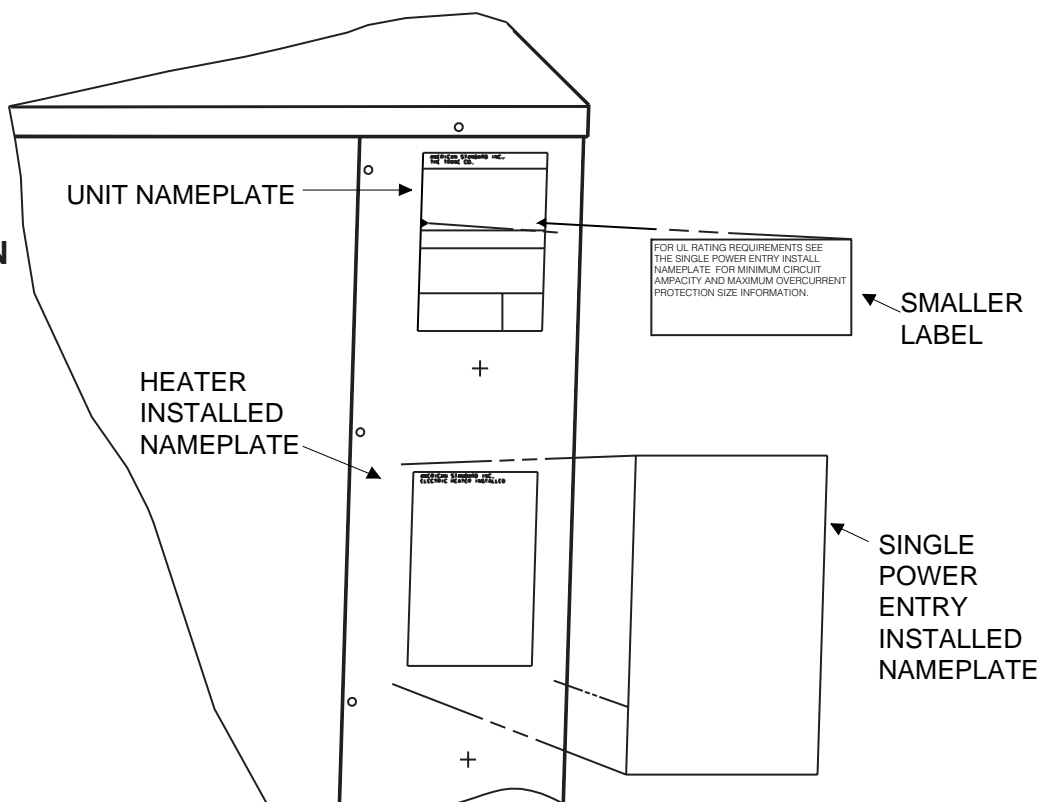
NOTE: All field wire to be rated 75°C minimum. Maximum field wire size is 2/0 AWG.

1. Check to make certain the proper size fuses are installed per the fuse table (located on the wiring diagram) for the particular single power entry kit being used.
2. Remove the required knockout from the unit conduit panel and route field wires through the unit control box.
3. Connect power supply to the terminal block on the single power entry kit. See appropriate wiring diagram for hookup connections. Connect the power supply ground wire to the ground lug on the single power entry kit.
4. Close the heater and single power entry kit control box cover.
5. Reinstall the air conditioner's or heat pump's access panels.
6. Apply power to unit.

LOW VOLTAGE WIRING (24 Volts)

All low voltage connections have been made to the heater via polarized plugs. The low voltage controls are connected to the room thermostat from the air conditioner or heat pump low voltage leads. See the field wiring diagram with the unit.

POSITION FOR LABELS IN SINGLE POINT POWER ENTRY KIT



From Dwg. 21B730227

AMERICAN STANDARD INC. THE TRANE CO.					SINGLE POWER ENTRY INSTALLED UL RATING REQUIREMENTS						
SINGLE POWER ENTRY KIT	HEATER MODEL	UNIT MODEL	MIN CKT. AMP.	MAX OVER CURRENT PROTECT. DEVICE	SINGLE POWER ENTRY KIT	HEATER MODEL	UNIT MODEL	MIN CKT. AMP.	MAX OVER CURRENT PROTECT. DEVICE		
BAYSPEK -047A	BAYHTR -N105A	■ TC*018F1	29	30	BAYSPEK -047A	BAYHTR -N315A	■ TC*036#3	50	50		
		■ TC*024#1	29	30			■ TC*042#3	50	50		
		■ TC+030#1	31	35			■ TC+048#3	52	60		
		■ TC-030#1	29	30			■ TC+060#3	52	60		
		■ TC*036#1	31	40			■ TC-048#3	50	50		
		■ TC*042#1	31	40			■ TC-060#3	50	50		
		■ WC*018F1	44	45			BAYHTR -N406A	■ TC*036#4	12	15	
		■ WC*024#1	45	50				■ TC*048#4	13	15	
		■ WC*030#1	52	60				■ TC+060#4	20	25	
		■ WC*036#1	52	60				■ TC-060#4	12	15	
	■ WC*042#1	58	60	■ WC*036#4		21		25			
	BAYHTR -N108A	■ TC*018F1	42	45		■ WC*048#4		24	25		
		■ TC*024#1	42	45		■ WC*060#4		30	35		
		■ TC*030#1	45	45		BAYHTR -N410A -N410F		■ TC*036#4	17	20	
		■ TC*036#1	45	45				■ TC*048#4	18	20	
		■ TC*042#1	45	45				■ TC*060#4	18	20	
		■ WC*018F1	57	60			■ WC*036#4	26	30		
		■ WC*024#1	58	60			■ WC*048#4	29	30		
		BAYHTR -N110A	■ TC*024#1	55			60	■ WC*060#4	32	35	
			■ TC*030#1	57			60	BAYHTR -N415A	■ TC*036#4	25	25
			■ TC*036#1	57			60		■ TC+048#4	26	30
	■ TC*042#1		57	60			■ TC+060#4		26	30	
	■ TC*048#1	59	60	■ TC-048#4			25		25		
	BAYHTR -N306A	■ TC*036#3	23	25		■ TC-060#4	25		25		
		■ TC*042#3	23	25		■ WC*036#4	33		35		
		■ TC*048#3	27	30		■ WC*048#4	37		40		
		■ TC*060#3	36	30		■ WC*060#4	39		40		
		■ WC*036#3	39	45		BAYHTR -N420A	■ TC*048#4		33	35	
		■ WC*042#3	43	50			■ TC*060#4		33	35	
		■ WC*048#3	47	50			■ WC*048#4	44	45		
	BAYHTR -N310A -N310F	■ WC*060#3	55	60		■ WC*060#4	46	50			
		■ TC*036#3	35	35		BAYHTR -N430A	■ TC*060#4	48	50		
		■ TC*042#3	35	35			■ WC*060#4	61	60		
		■ TC*048#3	37	40		BAYHTR -NW10A	■ TCC036FW	15	15		
		■ TC*060#3	37	45			■ TCC048FW	15	15		
		■ WC*036#3	50	50			■ TCC060FW	15	20		
		■ WC*042#3	54	60			■ WCC036FW	22	25		
	■ WC*048#3	59	60	■ WCC048FW			28	30			
						■ WCC060FW	27	30			

INSTALLER OF THE SINGLE POWER ENTRY KIT MUST SCRATCH OFF THE APPROPRIATE BLOCK ABOVE TO RECORD THE KIT, HEATER, AND UNIT MODEL NUMBERS INSTALLED. POWER SUPPLY VOLTAGE TO UNIT AND HEATER MUST BE IDENTICAL. CHECK THE UNIT AND HEATER NAMEPLATES TO DETERMINE THE CORRECT POWER SUPPLY VOLTAGE. CHECK HEATER NAMEPLATE TO DETERMINE HEATER KW AND CURRENT RATING. MINIMUM INSTALLATION CLEARANCE TO COMBUSTIBLE MATERIAL WHEN ELECTRIC HEATERS ARE INSTALLED: UNIT CABINET-0", PLENUM-1", AND OUTLET DUCT-1".

*INDICATES EITHER "C", "M", "X", "Z", "P" OR "Y"

+INDICATES EITHER "C", "M", "Y" OR "Z"

-INDICATES EITHER "X" OR "P" AS THIRD DIGIT OF UNIT MODEL

#INDICATES EITHER "F" OR "G" AS SEVENTH DIGIT OF UNIT MODEL

C932258P03

PLACE ABOVE LABEL OVER "ELECTRIC
HEATER INSTALLED" NAMEPLATE ON UNIT

INSTALLER'S GUIDE

AMERICAN STANDARD INC. THE TRANE CO.					SINGLE POWER ENTRY INSTALLED UL RATING REQUIREMENTS					
SINGLE POWER ENTRY KIT	HEATER MODEL	UNIT MODEL	MIN CKT. AMP.	MAX OVER CURRENT PROTECT. DEVICE	SINGLE POWER ENTRY KIT	HEATER MODEL	UNIT MODEL	MIN CKT. AMP.	MAX OVER CURRENT PROTECT. DEVICE	
BAYSPEK -047A	BAYHTR -NW15A	■ TCC036FW	22	25	BAYSPEK -049A	BAYHTR -N110A	■ WC*042#1	84	90	
		■ TCC048FW	21	25			■ WC*048#1	89	100	
		■ TCC060FW	21	25		BAYHTR -N112A	■ TC*024#1	62	70	
		■ WCC036FW	28	30			■ TC*030#1	65	70	
		■ WCC048FW	29	30			■ TC*036#1	65	70	
		■ WCC060FW	33	35			■ TC*042#1	65	70	
	BAYHTR -NW20A	■ TCC048FW	28	30			■ TC*048#1	67	70	
		■ TCC060FW	28	30			■ WC*024#1	78	80	
		■ WCC048FW	36	40			■ WC*030#1	83	90	
	BAYHTR -NW30A	■ WCC060FW	40	40			■ WC*036#1	86	90	
		■ TCC060FW	40	40			■ WC*042#1	92	100	
	■ WCC060FW	52	60	■ WC*048#1			96	100		
BAYSPEK -048A	BAYHTRN -N115A	■ TC*030#1	82	90	BAYSPEK -050A	BAYHTR -N330A	■ TC*060#3	97	100	
		■ TC*036#1	82	90	■ WC*060#3		122	125		
		■ TC*042#1	82	90	BAYHTR -N310A -N310F	■ WC*060#3	62	70		
		■ TC*048#1	84	90		BAYHTR -N315A	■ WC*036#3	65	70	
		■ WC*030#1	101	110			■ WC*042#3	69	70	
		■ WC*036#1	103	110			■ WC*048#3	74	80	
		■ WC*042#1	109	110	■ WC*060#3		77	80		
		BAYHTRN -N117A	■ WC*048#1	114	125	BAYSPEK -051A	BAYHTR -N320A	■ TC*042#3	65	70
	■ TC*030#1		95	100	■ TC*048#3			67	70	
	■ TC*036#1		95	100	■ TC*060#3			67	70	
	■ TC*042#1		95	100	■ WC*042#3		84	90		
	■ TC*048#1		97	100	■ WC*048#3		89	90		
	■ WC*030#1		113	125	■ WC*060#3		92	100		
	BAYHTR -N123A		■ WC*036#1	116	125	BAYSPEK -052A	BAYHTR -N115A	■ TC*060#1	84	90
			■ WC*042#1	122	125			■ WC*060#1	121	125
	■ WC*048#1	126	150	BAYHTR -N117A	■ TC*060#1		97	100		
		■ TC*048#1	127		150	■ WC*060#1	134	150		
	BAYSPEK -049A	BAYHTR -N108A	■ WC*048#1	156	175	BAYHTR -N123A	■ TC*060#1	127	150	
			■ WC*030#1	63	70		■ WC*060#1	164	175	
			■ WC*036#1	66	70		BAYSPEK -053A	BAYHTR -N105A	■ TC*060#1	44
		■ WC*042#1	72	80	BAYHTR -N110A	■ TC*060#1		59	70	
		■ WC*024#1	70	70		■ WC*060#1		96	110	
		BAYHTR -N110A	■ WC*030#1	76	80	BAYHTR -N112A	■ TC*060#1	67	70	
	■ WC*036#1		78	80	■ WC*060#1		104	110		

INSTALLER OF THE SINGLE POWER ENTRY KIT MUST SCRATCH OFF THE APPROPRIATE BLOCK ABOVE TO RECORD THE KIT, HEATER, AND UNIT MODEL NUMBERS INSTALLED. POWER SUPPLY VOLTAGE TO UNIT AND HEATER MUST BE IDENTICAL. CHECK THE UNIT AND HEATER NAMEPLATES TO DETERMINE HEATER KW AND CURRENT RATING. MINIMUM INSTALLATION CLEARANCE TO COMBUSTIBLE MATERIAL WHEN ELECTRIC HEATERS ARE INSTALLED: UNIT CABINET-0", PLENUM-1", AND OUTLET DUCT-1".

* INDICATES EITHER "C", "M", "X", "Z", "Y" OR "P"

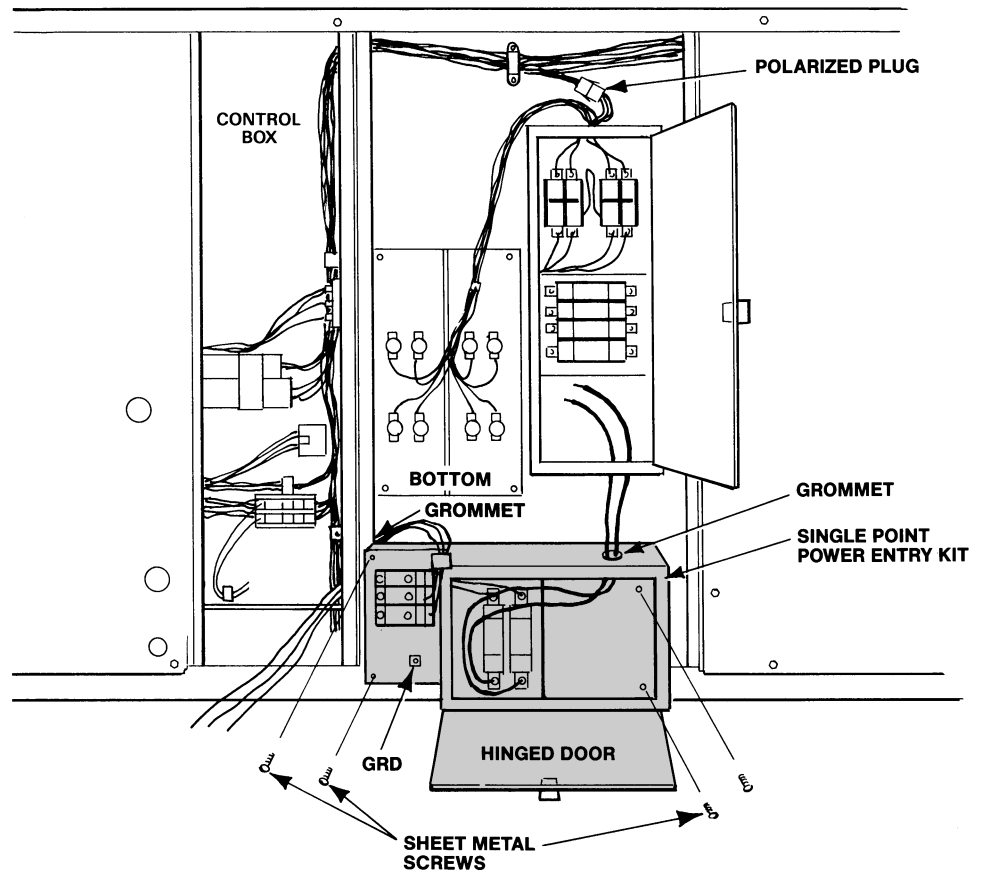
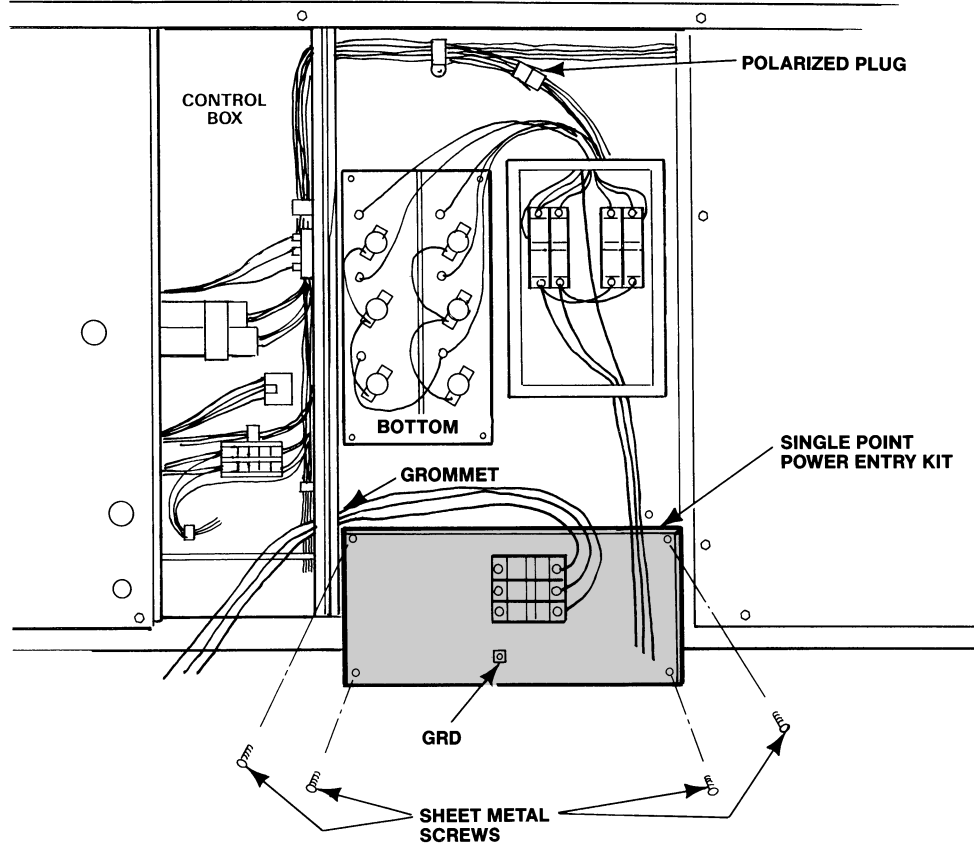
INDICATES EITHER "F" OR "G"

C932258P05

PLACE ABOVE LABEL OVER "ELECTRIC
HEATER INSTALLED" NAMEPLATE ON UNIT

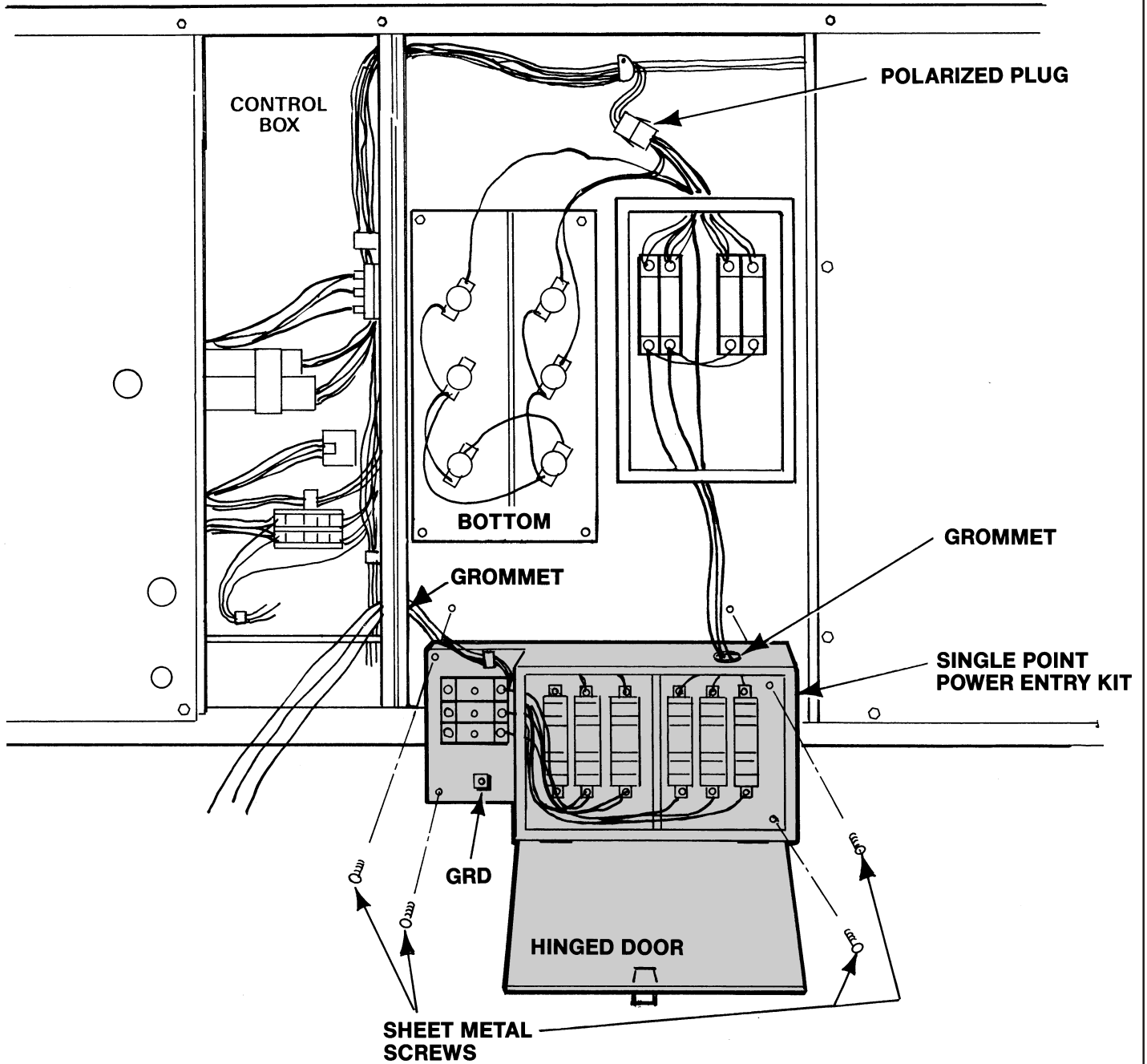
1

TYPICAL SINGLE POINT POWER ENTRY KIT



2

TYPICAL SINGLE POINT POWER ENTRY KIT



BAYSPEK047A

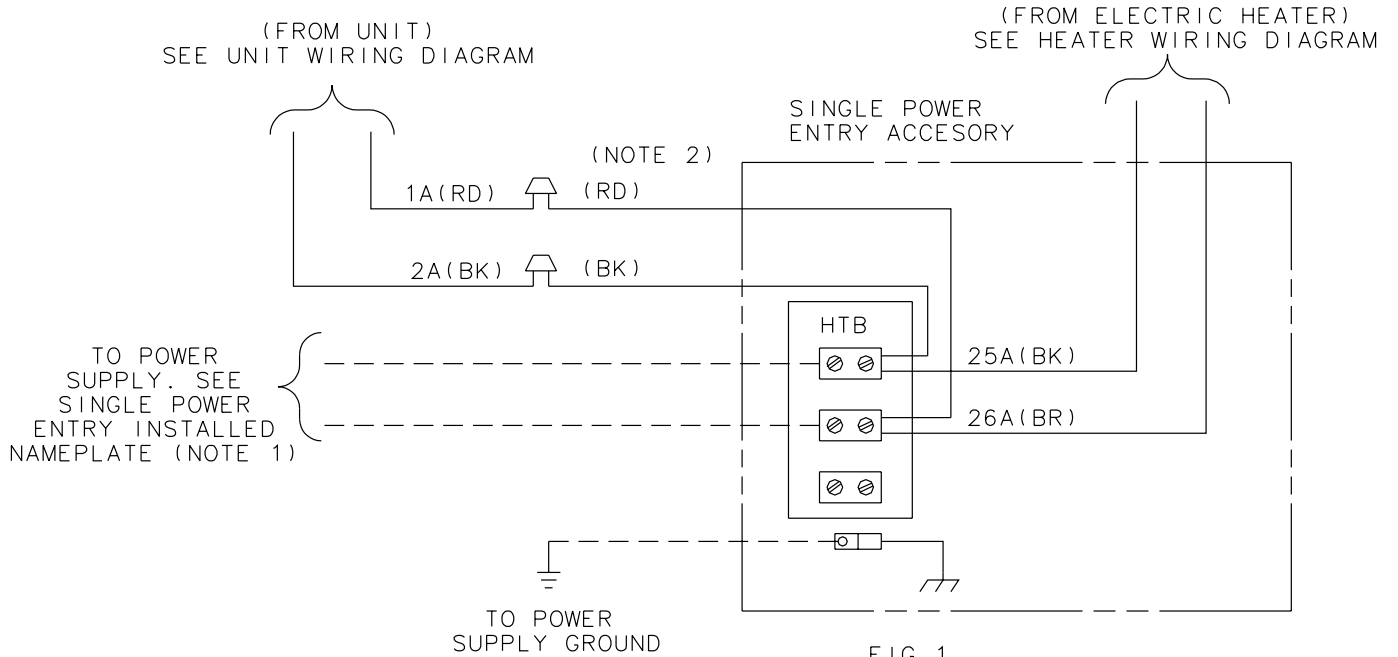


FIG. 1
SINGLE PHASE UNIT/HEATER

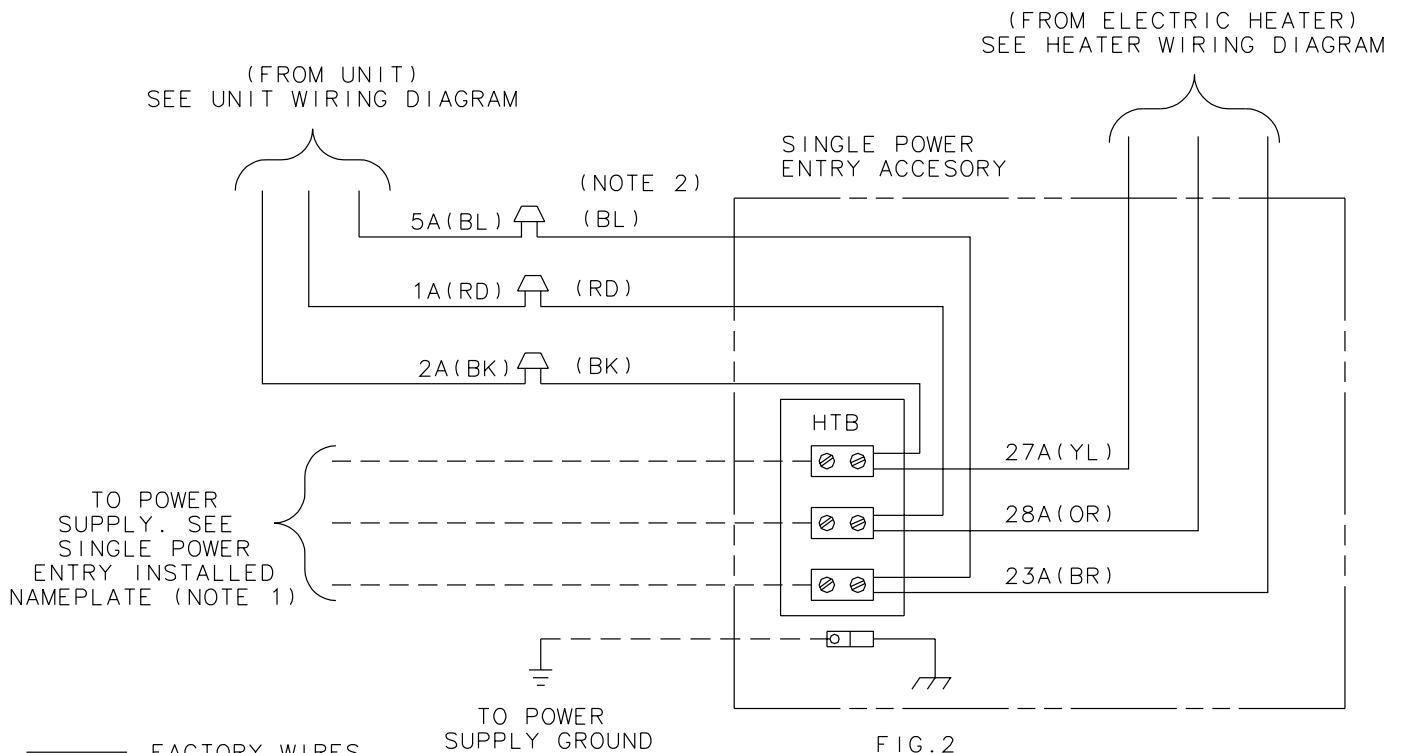


FIG. 2
THREE PHASE UNIT/HEATER

———— FACTORY WIRES
 - - - - FIELD WIRES

HTB HIGH VOLT TERMINAL BLOCK

WIRE COLOR DESIGNATION			
ABBR	COLOR	ABBR	COLOR
BK	BLACK	RD	RED
BL	BLUE	YL	YELLOW
BR	BROWN	OR	ORANGE

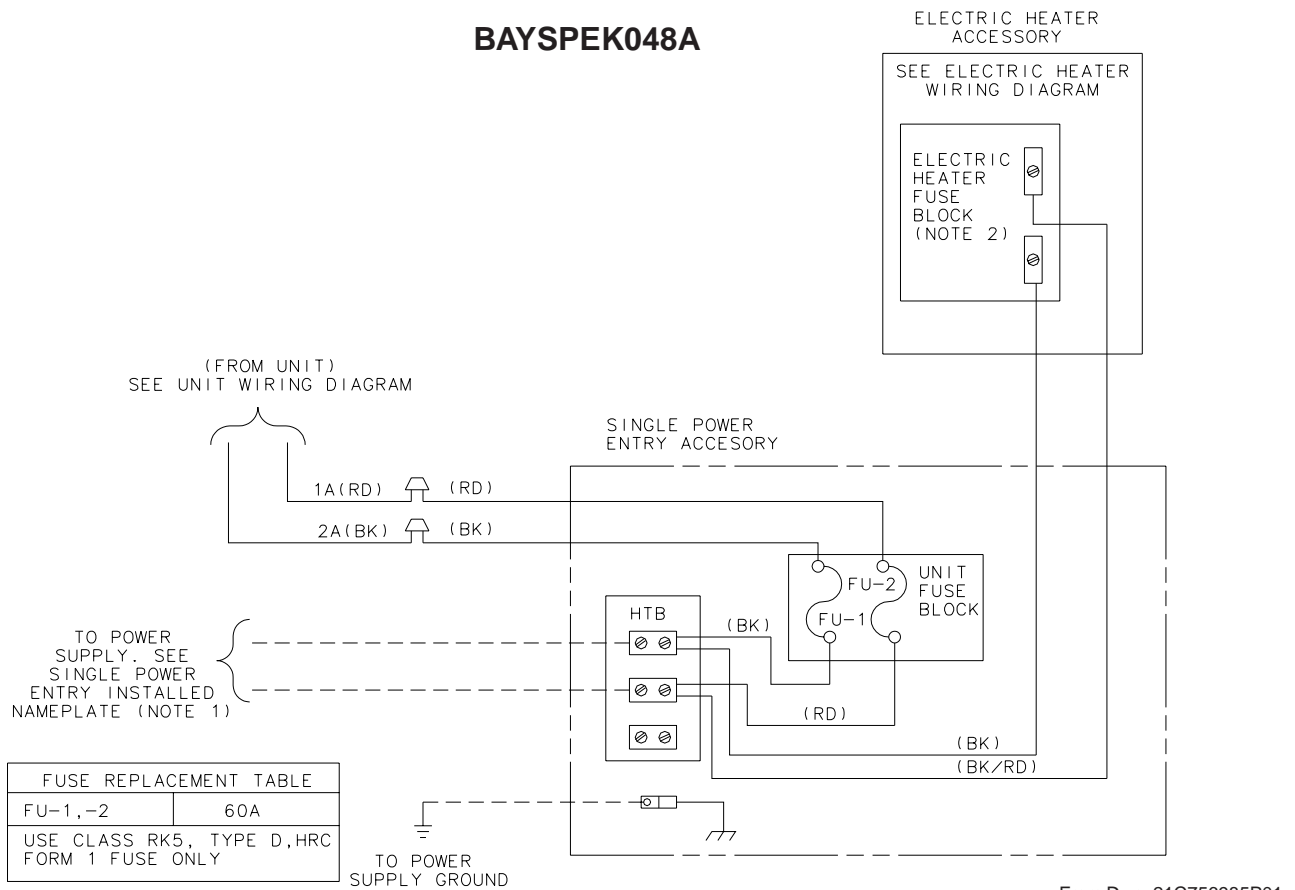
NOTES:

1. USE COPPER CONDUCTORS ONLY. CHECK UNIT AND HEATER NAMEPLATE VOLTAGE FOR COMPATIBILITY.
2. THESE WIRES ARE PROVIDED WITH THE ACCESSORY KIT TO BE FIELD INSTALLED AS SHOWN. USE TWO WIRES ONLY FOR SINGLE PHASE APPLICATIONS. USE THREE WIRES FOR THREE PHASE APPLICATIONS.

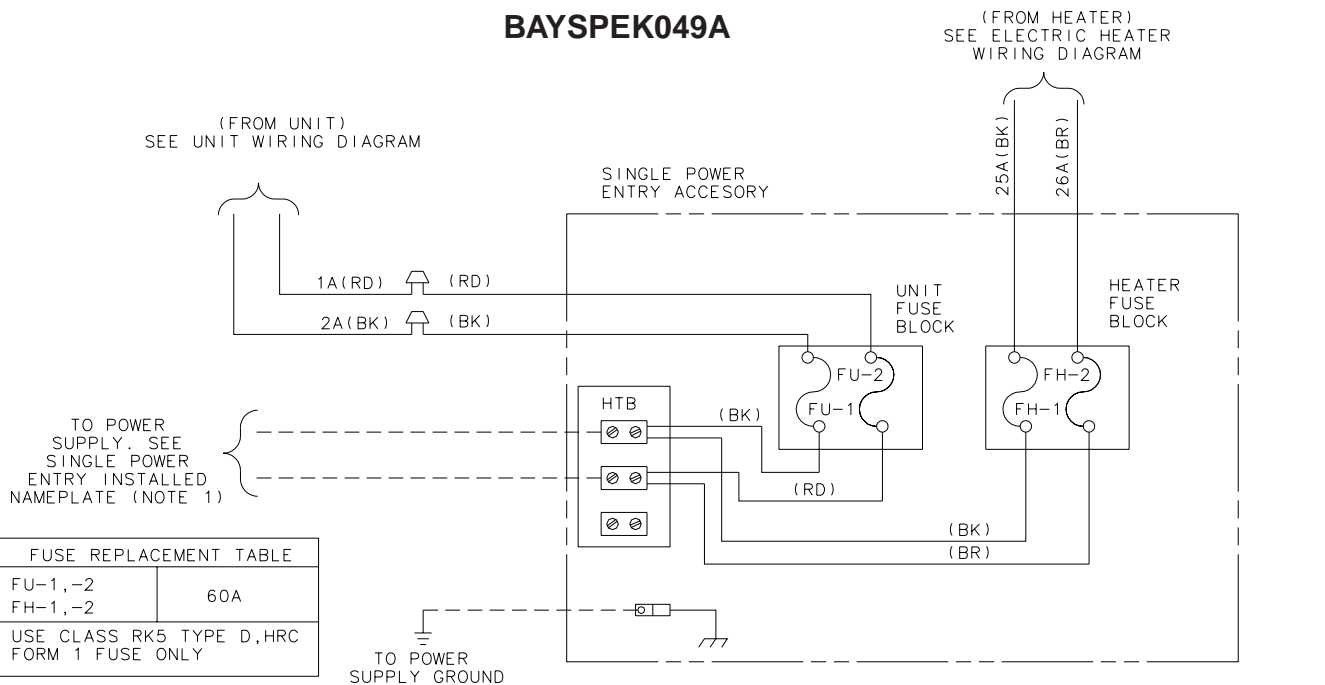
From Dwg. 21C756991P01

INSTALLER'S GUIDE

BAYSPEK048A



BAYSPEK049A



- NOTES:
1. USE COPPER CONDUCTORS ONLY. CHECK UNIT AND HEATER NAMEPLATE VOLTAGE FOR COMPATIBILITY.
 2. THE ELECTRIC HEATER FUSE BLOCK IS PROVIDED WITH THE ELECTRIC HEATER ACCESSORY.

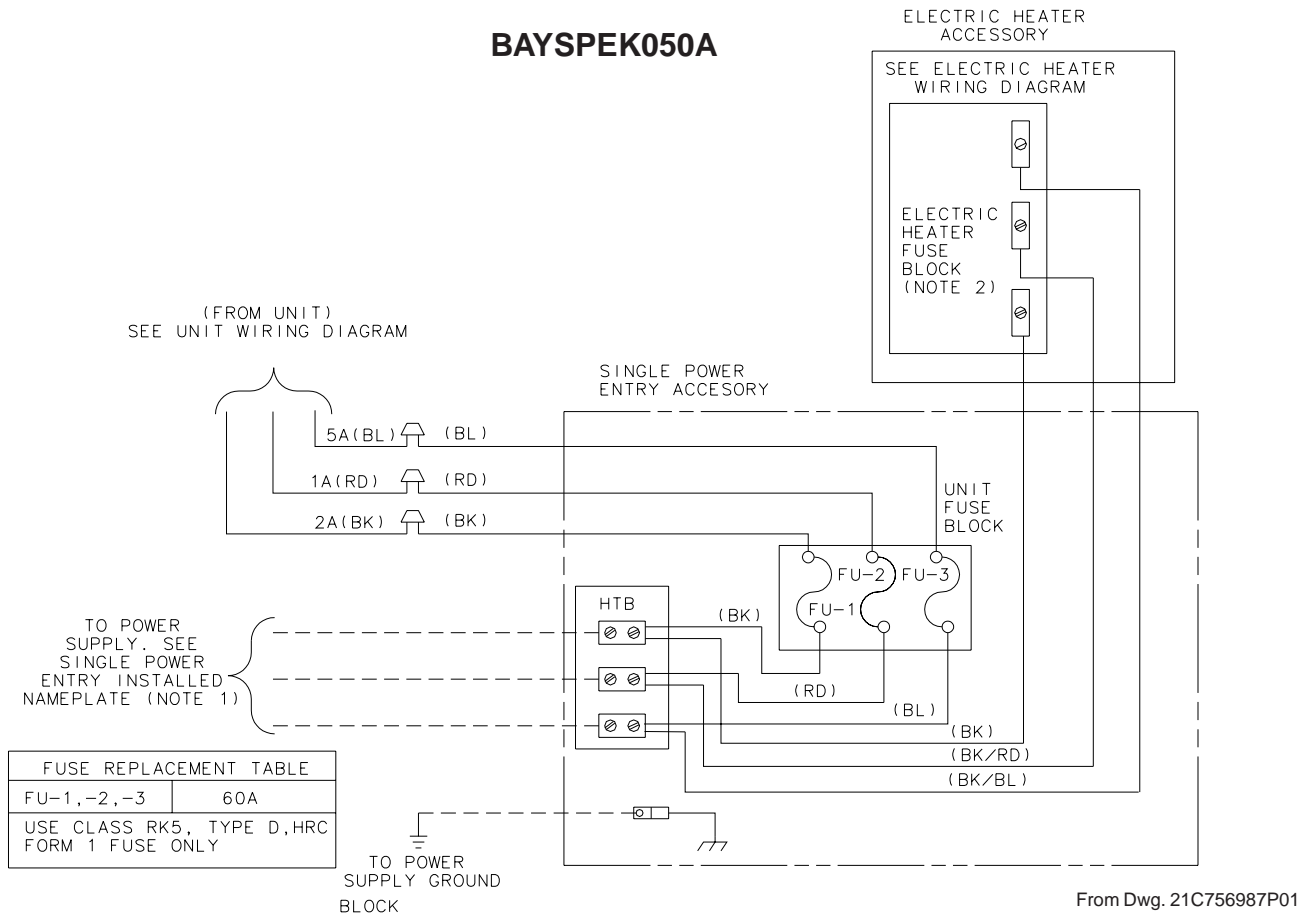
——— FACTORY WIRES
- - - - FIELD WIRES

HTB HIGH VOLT TERMINAL BLOCK
FU UNIT FUSE
FH HEATER FUSE

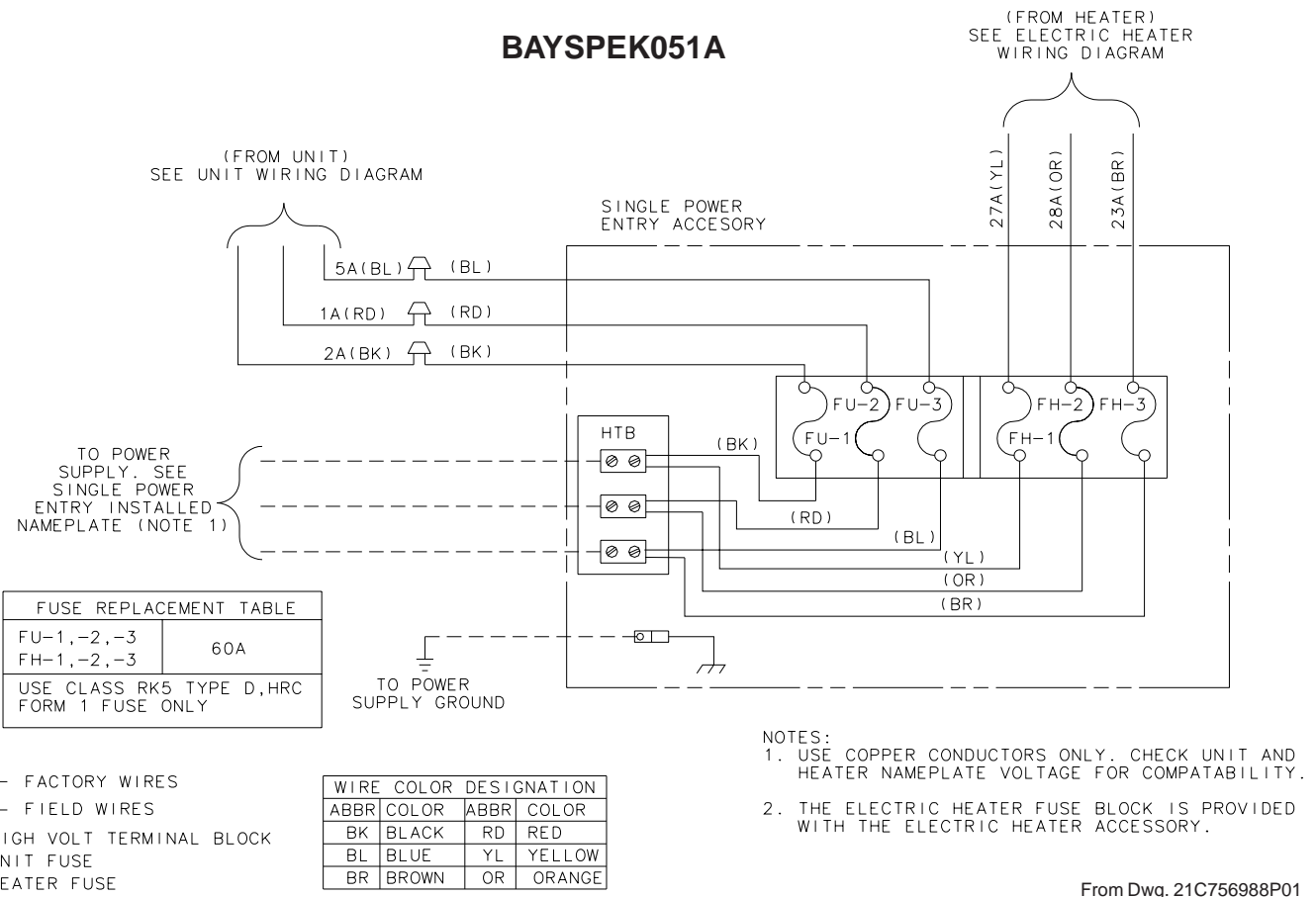
WIRE COLOR DESIGNATION			
ABBR	COLOR	ABBR	COLOR
BK	BLACK	RD	RED
BL	BLUE	YL	YELLOW
BR	BROWN	OR	ORANGE

From Dwg. 21C756986P01

BAYSPEK050A

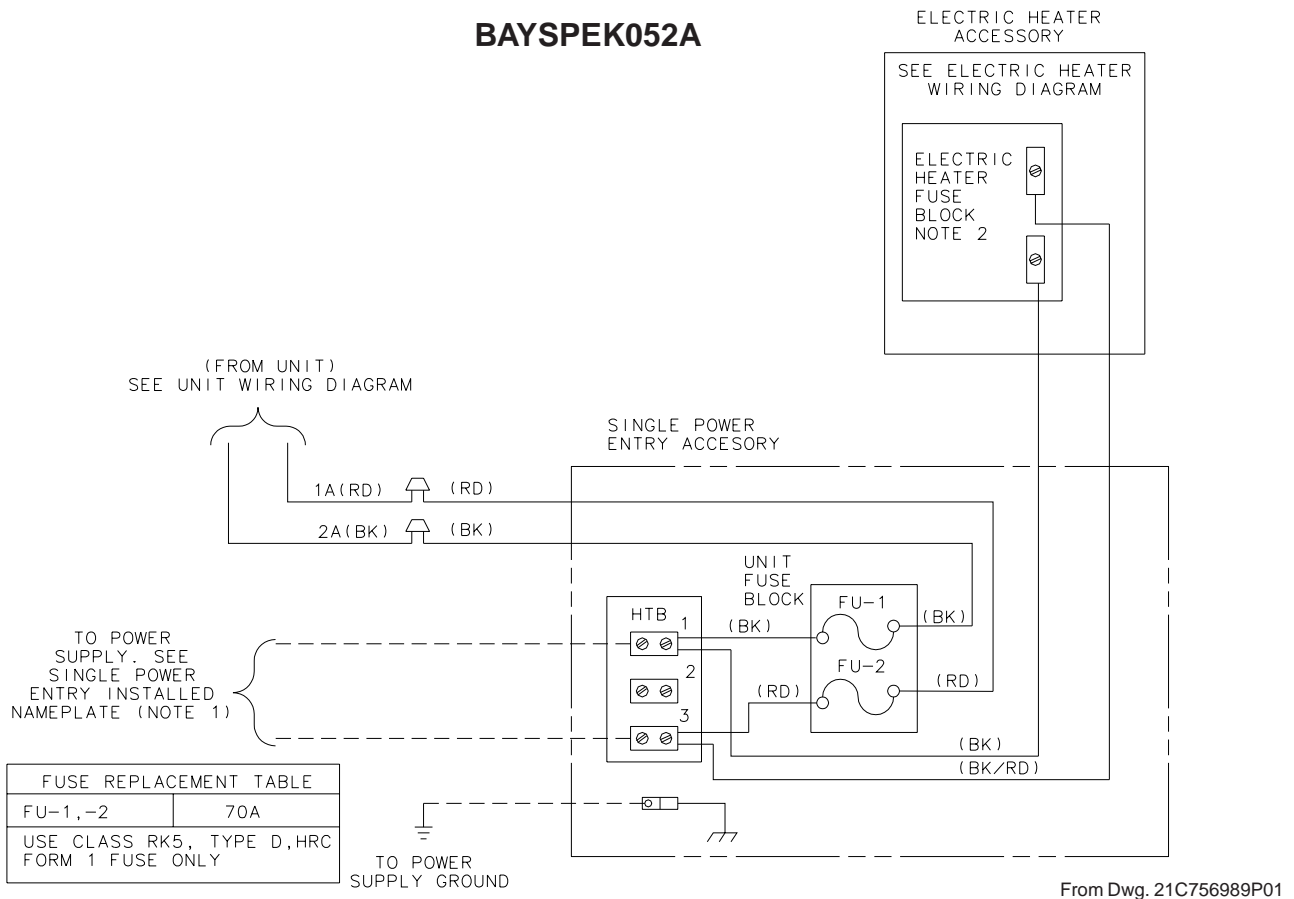


BAYSPEK051A

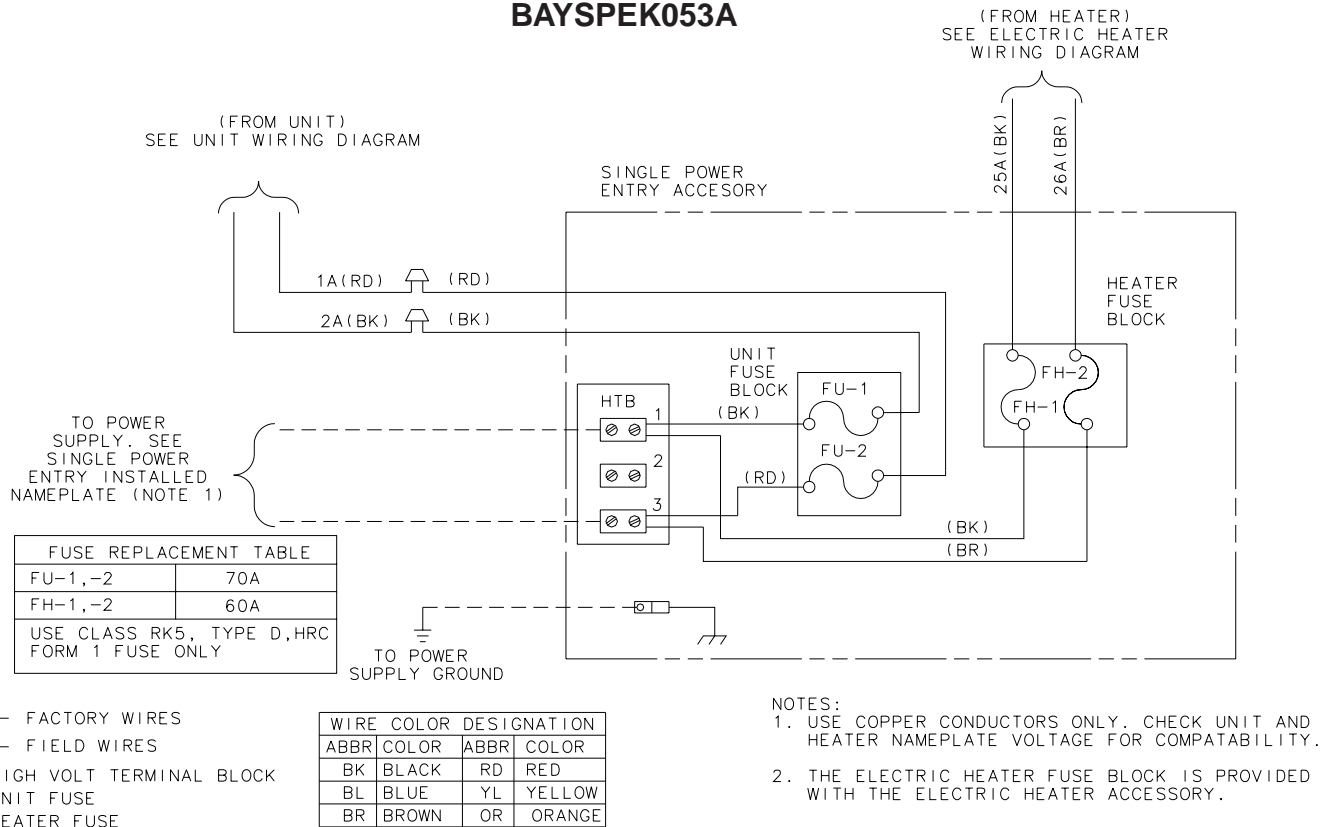


INSTALLER'S GUIDE

BAYSPEK052A



BAYSPEK053A



American-Standard Inc.

6200 Troup Highway
Tyler, TX 75703

PAGE 12

Technical Literature - Printed in U.S.A.

Pub. No. 18-HB20D2-4
P.I.