

INSTRUCTIONS:

TO LOCATE SCREW LOCATIONS, ALIGN HAIL GUARD INTO PLACE ON UNIT.
TEMPORARILY SECURE WITH THE TOPMOST HOLES ON THE SIDES. (FIGURE 1)

ASSEMBLE THE SCREW ASSEMBLIES (FIGURE 2) AND INSTALL THEM ON THE
UNIT IN THE LOCATIONS DESIGNATED BY ARROWS IN FIGURE 3.

USING THE HANDLES, PICK UP THE HAIL GUARD AND LIFT SO THAT THE
FLANGES ARE UNDER THE TOP. ALIGN THE LARGE PART OF THE KEYHOLE
WITH THE WASHER, PUSHING FORWARD SLIGHTLY TO ENGAGE THE HAIL
GUARD WITH THE SPACER, AND THEN DROP INTO PLACE.

*NOTE 1: IF YOUR UNIT DOES NOT HAVE THE PROPER HOLES AS DESCRIBED
ABOVE, YOU WILL NEED TO FOLLOW THE DIRECTIONS ON PAGE 2.

**NOTE 2: HAIL GUARDS MAY OVERLAP PANELS.

Installation Instructions

PRECEDENT HAIL GUARD

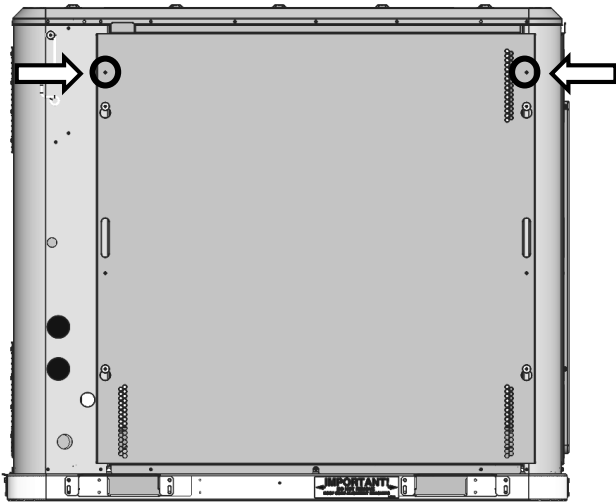
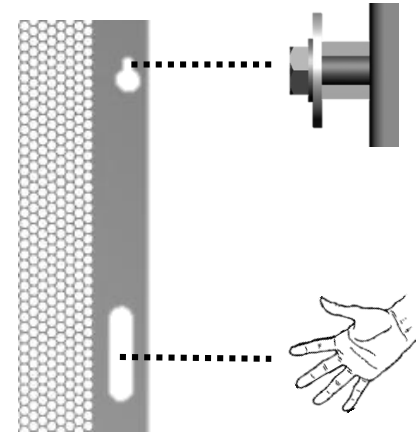


FIGURE 1

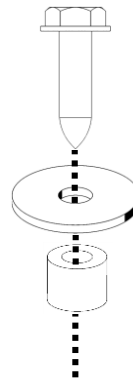


FIGURE 2

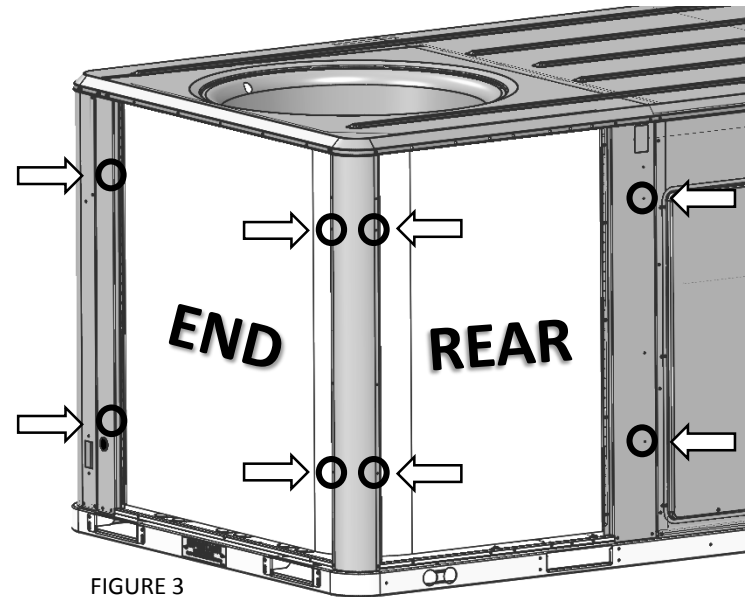


FIGURE 3

INSTRUCTIONS:

ALIGN HAIL GUARD INTO PLACE ON UNIT, SECURE WITH BOTTOM HOLES IN THE BASE. (FIGURE 1)

USING A MARKER, MARK A DOT AT THE CENTER OF THE TOP OF THE KEYHOLE. THIS WILL BE THE HOLE FOR YOUR SCREW ASSEMBLY. (FIGURE 2)

REPEAT THIS MARKING PROCESS FOR THE REST OF THE UNIT. (FIGURE 3)

REMOVE THE AFFECTED PANELS FROM THE UNIT, SO AS NOT TO DAMAGE THE COIL. DRILL 1/8" HOLES ON THE MARKED LOCATIONS WITH THE SELF TAPPING SCREW. (FIGURE 4)

REATTACH THE MODIFIED PANELS AND INSTALL THE SCREW ASSEMBLIES INTO THE NEW HOLES. (FIGURE 2 ON PAGE 1)

Installation Instructions

PRECEDENT HAIL GUARD

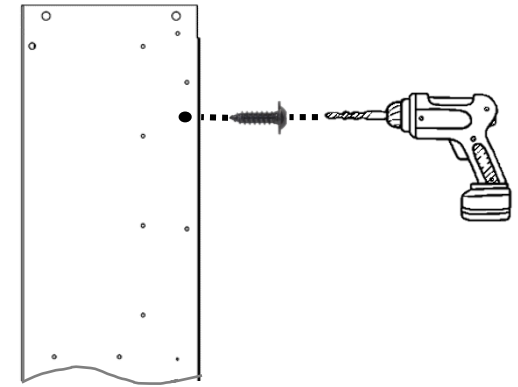


FIGURE 4

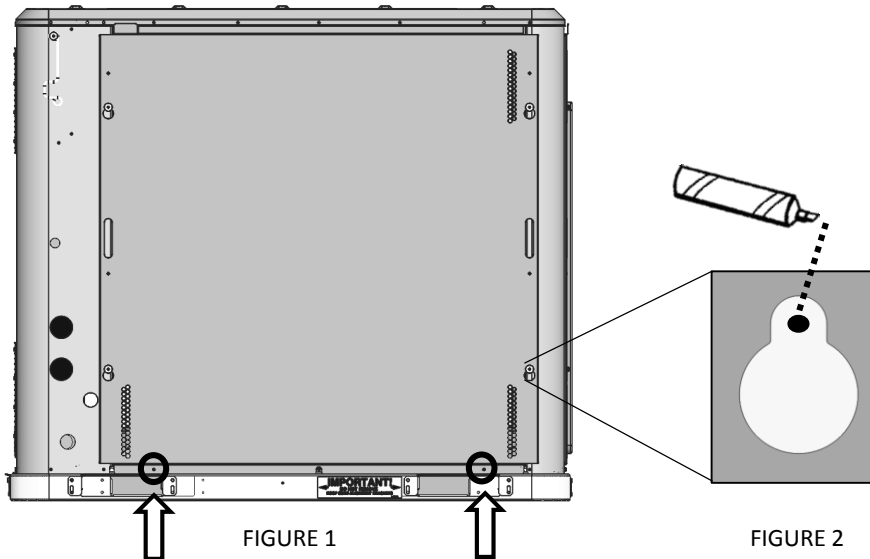


FIGURE 1

FIGURE 2

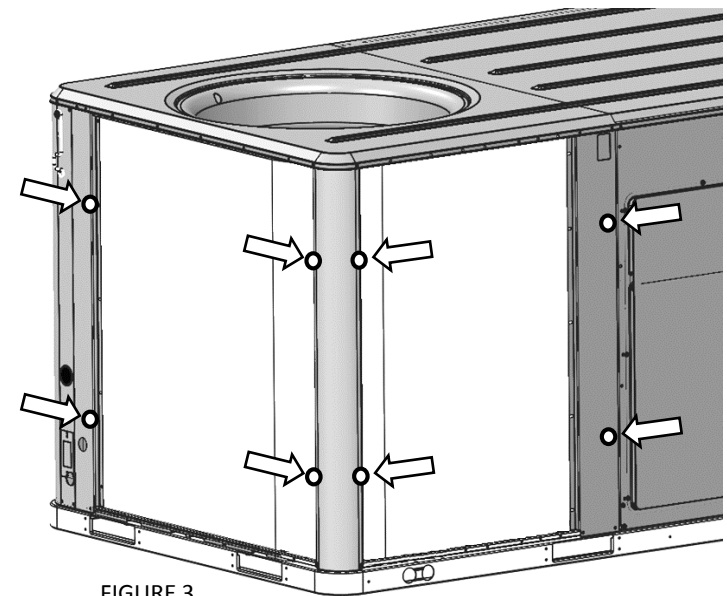


FIGURE 3