

**INSTRUCTIONS:**

# Installation Instructions

## MCHE Coil Top Foam Support

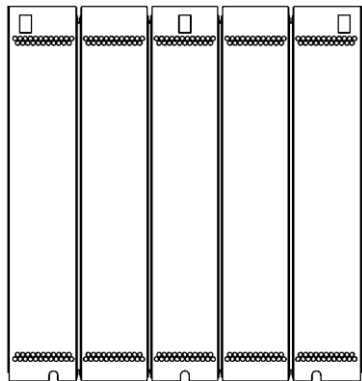
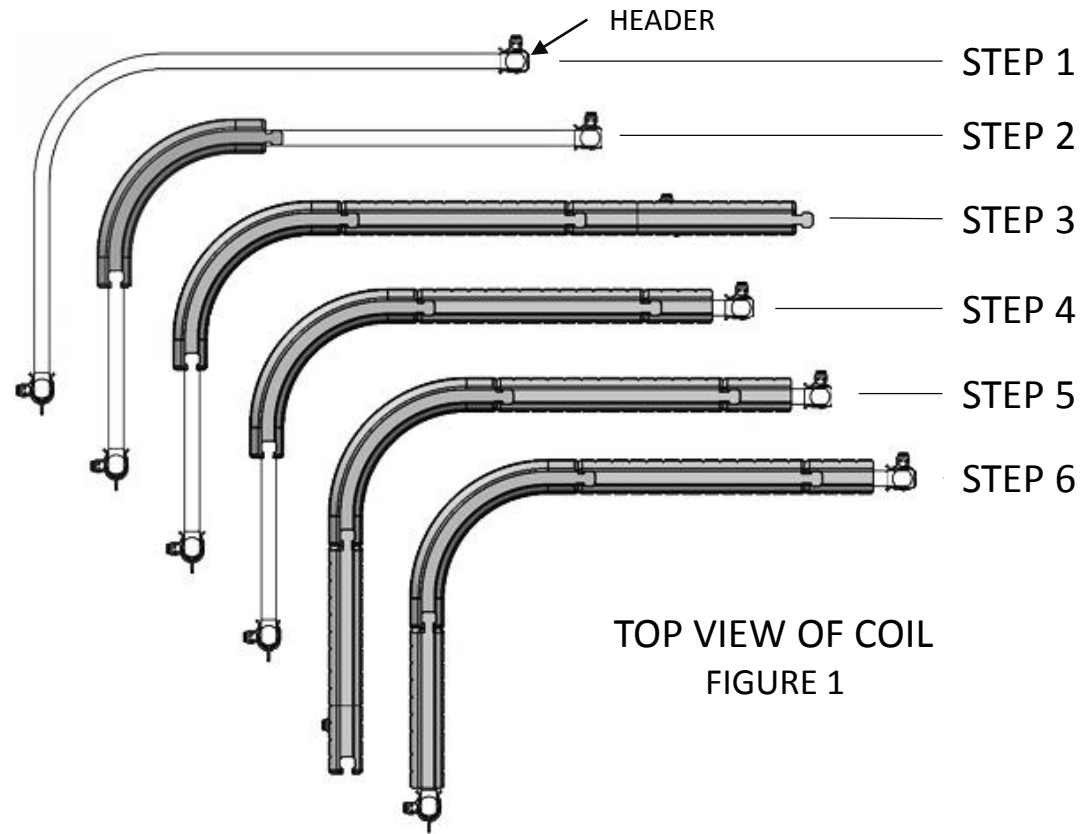
PLACE THE CURVED FOAM PIECE (43669350) DIRECTLY ON THE COIL AND PRESS IT INTO PLACE.  
(FIGURE 1 -STEP 2)

NEXT, CHOOSE EITHER DIRECTION AND CONNECT A STRAIGHT FOAM (43669351) PIECE. (FIGURE 1 – STEP 3)

IF THE FOAM EXTENDS TOO FAR PAST THE HEADER, BREAK IT AT A DESIGNATED CUTOUT THAT WOULD LEAVE LESS THAN ONE INCH GAP BETWEEN THE END OF THE FOAM AND THE HEADER. (FIGURE 1 – STEP 4)

REPEAT ON THE OTHER SIDE OF THE CURVE TO FULLY COVER THE COIL. (FIGURE 1 – STEPS 5 & 6)

\*NOTE: FOR E CABINETS (MODEL DIGIT # 30 = "E") USING A HAIL GUARD THAT MATCHES THE PICTURE BELOW, THE STRAIGHT FOAM PIECES WILL REQUIRE TRIMMING. CUT THE SECTION SHOWN BELOW ON EACH STRAIGHT PIECE WITH A UTILITY KNIFE, THEN INSTALL AS STATED ABOVE.



HAIL GUARD



CUT FOAM AS INDICATED BY DOTTED LINE BETWEEN CUTOUTS 4 THROUGH 8

