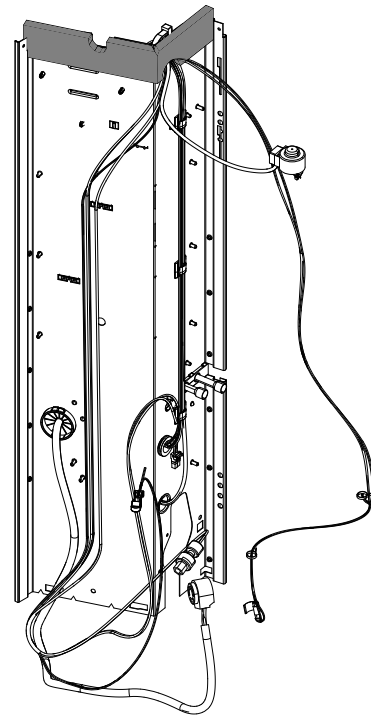


# Installer's Guide

## Critter Foam Kit



*NOTE: "Graphics in this document are for representation only. Actual model may differ in appearance."*

### **▲ SAFETY WARNING**

Only qualified personnel should install and service the equipment. The installation, starting up, and servicing of heating, ventilating, and air-conditioning equipment can be hazardous and requires specific knowledge and training. Improperly installed, adjusted or altered equipment by an unqualified person could result in death or serious injury. When working on the equipment, observe all precautions in the literature and on the tags, stickers, and labels that are attached to the equipment.

# SAFETY SECTION

**Important** — This document contains service information. This is customer property and is to remain with this unit. Please return to service information pack upon completion of work.

## **⚠ WARNING**

### **HAZARDOUS VOLTAGE!**

**Failure to follow this Warning could result in property damage, severe personal injury, or death.**

**Disconnect all electric power, including remote disconnects before servicing. Follow proper lockout/tagout procedures to ensure the power cannot be inadvertently energized.**

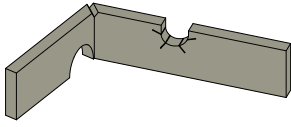
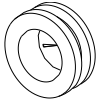
# Table of Contents

General Data .....	4
--------------------	---

# General Data

The purpose of this kit is to reduce the clearance around the areas that allow rodents to enter the control box.

## Kit Contents:

Critter Foam Qty. 1	
Critter Bushing <sup>(a)</sup> Qty. 1	

(a) Applicable to the kits only if the units that does not come with this item installed.

## Inspection:

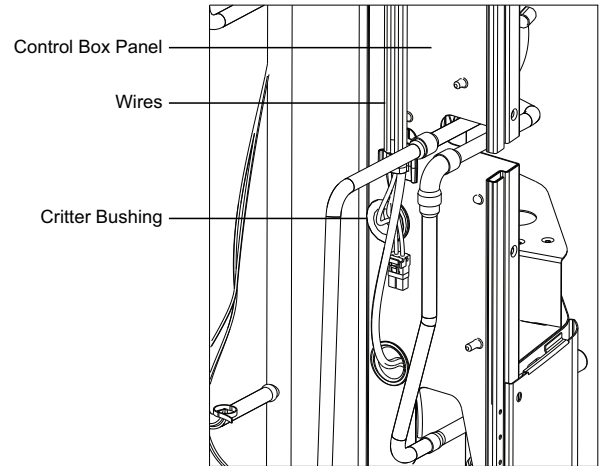
Check carefully for any shipping damage. This must be reported to and claims made against the transportation company immediately. Any missing parts should be reported to your supplier at once and replaced with authorized parts only.

## Installation Instructions:

1. Disconnect the main power supply to the outdoor unit.
2. Remove the top of the outdoor unit to get access to the control box panel.
3. Remove the panels of the cabinet near to the control box panel to get access to the bottom of the control box panel.
4. Install the critter bushing at the bottom of the control box panel.

**Note:** Step 4 is applicable only to the units that do not come with critter bushing installed. If the unit has the critter bushing installed already on the control box panel, ignore Step 4.

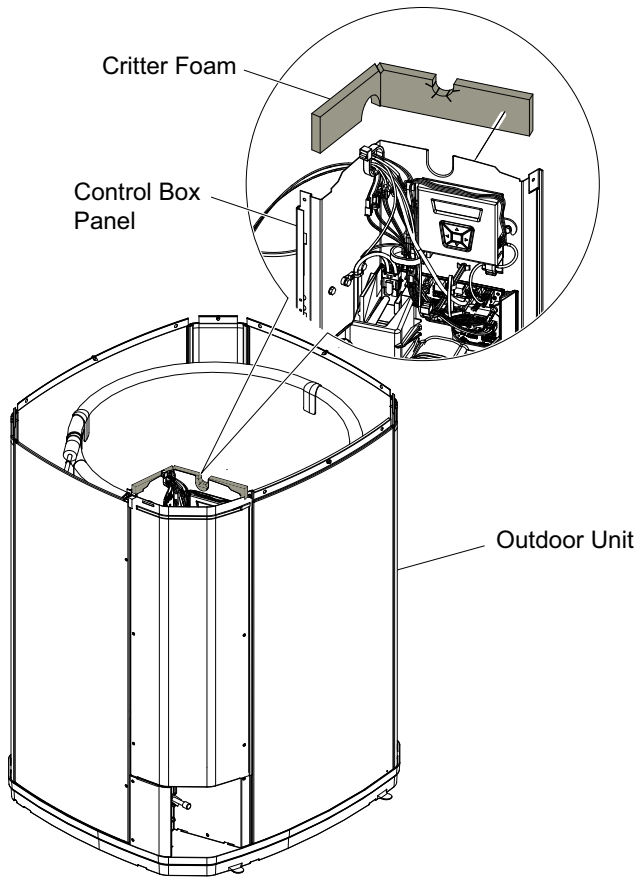
- a. Disconnect the wires that pass through the hole at the bottom of the control box panel.
- b. Align the critter bushing with the hole at the bottom of the control box panel and attach the critter bushing into the hole.
- c. Route the disconnected wires through the critter bushing attached to the bottom of control box panel.
- d. Reconnect the disconnected wires.



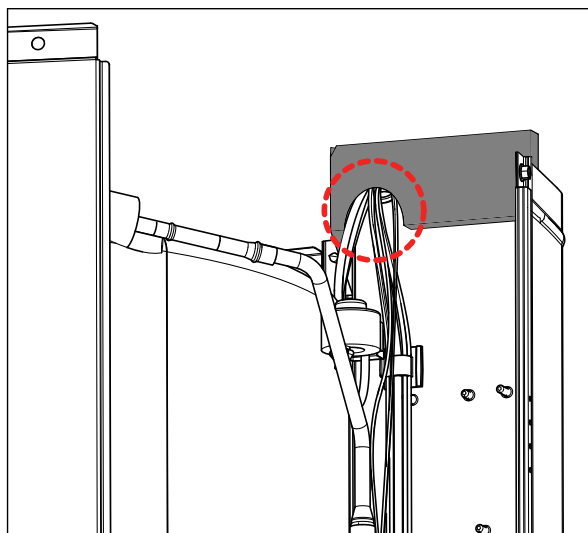
5. Install the critter foam onto the top of the control box panel.
  - a. Using a lint free cloth, clean the outer surface area of the control box panel . Make sure to remove all debris (dirt, grease, and oils).
  - b. Remove adhesive backing material from the critter foam.
 

**Note:** Be careful with the adhesive material, as it is very strong and can cause damage to the hands.
  - c. Gently put the critter foam in position around the wires that comes out of the control box panel.
  - d. Attach the critter foam to the outer surface area of the control box panel. Make sure that the top surface of the critter foam is 1/4 inch above the top edge of the control box panel in the middle.

**Note:** At the outside edges of the control box panel, the top surface of the critter foam should be approximately 1 inch above the top edges of the control box panel. This is to make sure that the sealing at the outside edges stops animals and undesirable insects comes inside the control box panel.

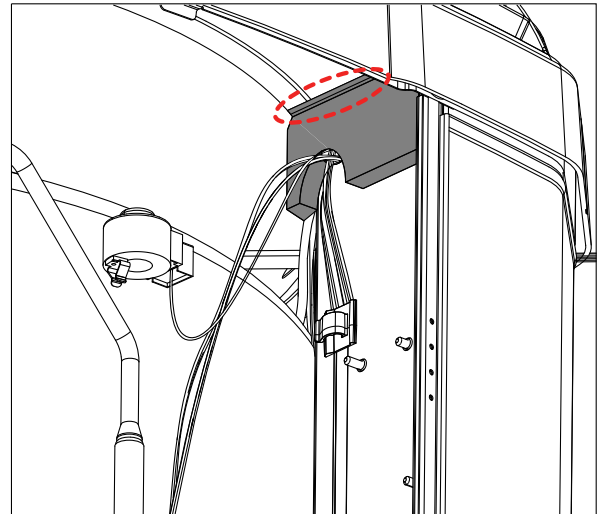


6. If necessary, adjust the wires. Make sure that the clearance between the critter foam and the wires is less than 1/4 inch.



7. Reinstall the panels of the cabinet near to the control box panel.
8. Reinstall the top of the outdoor unit.

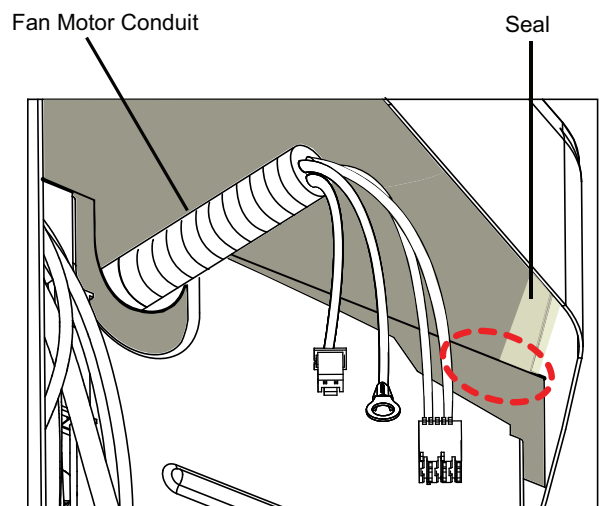
**Note:** Make sure that there is no clearance between the top surface of the critter foam and the foam attached to the unit top which indicates that the critter foam is correctly installed.



**Note:** The panels of the cabinet are not shown for clarity.

9. Do a check on the clearance between the critter foam and fan motor conduit. Make sure there is no clearance between the critter foam and the fan motor conduit.

**Note:** Make sure that the mating surfaces of the critter foam with the outside edges of the cabinet at both the corners and the foam on the top are properly sealed.



**Note:** The panels of the cabinet and CDA display are not shown for clarity.

10. Connect the main power supply to the outdoor unit.







Ingersoll Rand (NYSE: IR) advances the quality of life by creating comfortable, sustainable and efficient environments. Our people and our family of brands — including Club Car®, Ingersoll Rand®, Thermo King® and Trane® — work together to enhance the quality and comfort of air in homes and buildings; transport and protect food and perishables; and increase industrial productivity and efficiency. We are a global business committed to a world of sustainable progress and enduring results.



[ingersollrand.com](http://ingersollrand.com)

Ingersoll Rand has a policy of continuous product and product data improvements and reserves the right to change design and specifications without notice.

We are committed to using environmentally conscious print practices.