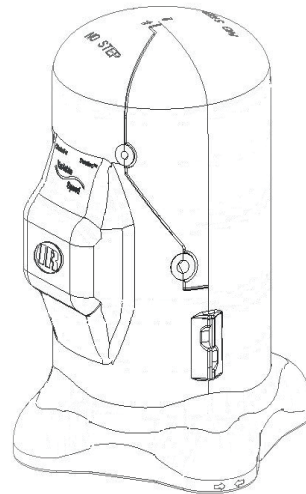


Installer's Guide

Enhanced Sound Enclosure Kit

BAYVSEN002



Note: "Graphics in this document are for representation only. Actual model may differ in appearance."

▲ SAFETY WARNING

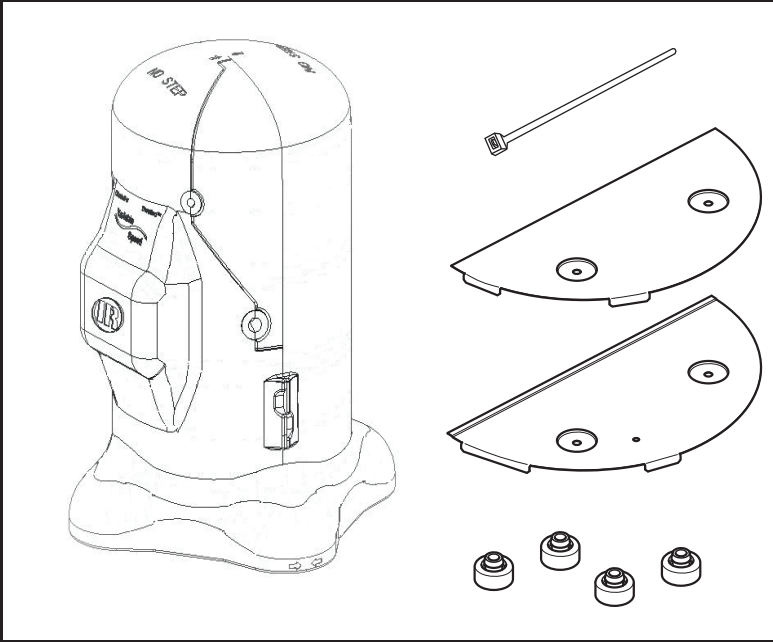
Only qualified personnel should install and service the equipment. The installation, starting up, and servicing of heating, ventilating, and air-conditioning equipment can be hazardous and requires specific knowledge and training. Improperly installed, adjusted or altered equipment by an unqualified person could result in death or serious injury. When working on the equipment, observe all precautions in the literature and on the tags, stickers, and labels that are attached to the equipment.

General Data

The purpose of the enhanced sound enclosure kit is to reduce noise emitted from the compressor during operation.

Table 1. Enhanced Sound Enclosure Kit Contents:

- 1 — Sound Enclosure
- 2 — Base Plates
- 4 — Compressor Grommets
- 1 — Wire Tie
- 1 — Installer's Guide



Installation Instructions

1. Disconnect high voltage power from outdoor unit and remove top to access the compressor compartment

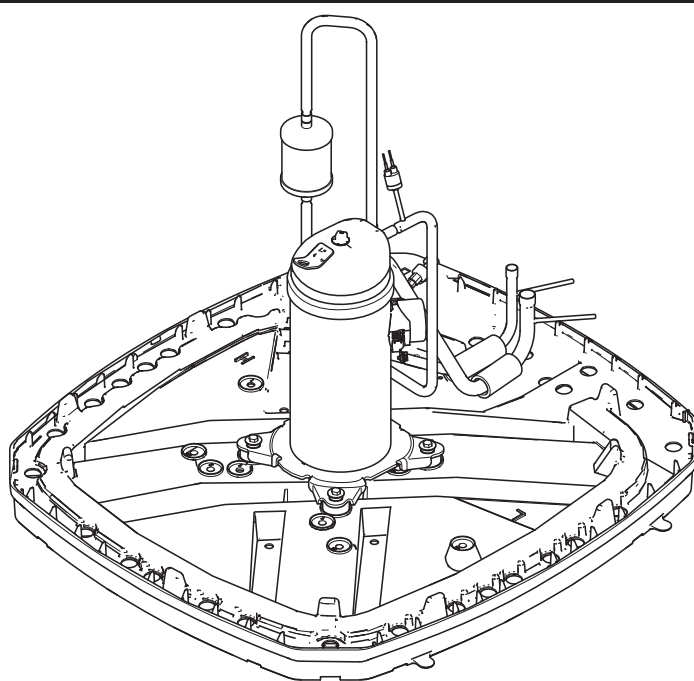
Note: Assembly is shown minus the coil and panels so that the compressor can be seen clearly.

2. Remove the production sound enclosure.

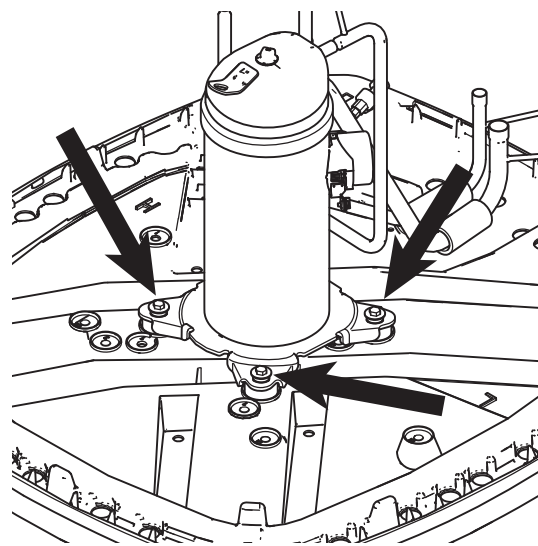
Note: If unit has no sound plate under compressor, proceed to step 3; otherwise skip to step 8.

3. Cut the cable tie that holds the compressor harness to the base pan.

Use caution when cutting the tie to prevent wire damage..



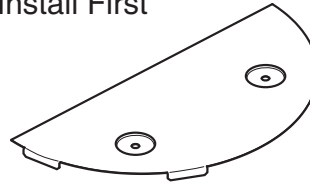
4. Remove the four compressor bolts.



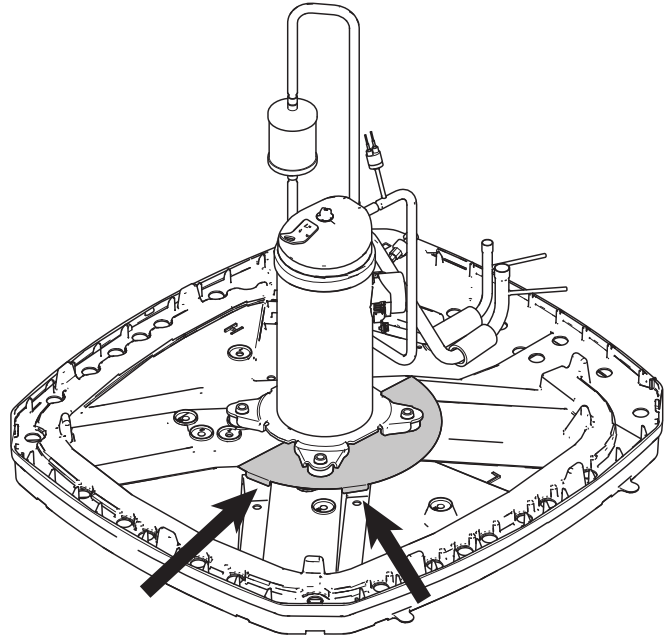
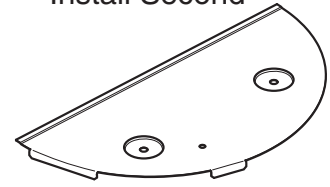
General Data

5. Stand on the side of the unit so the compressor refrigerant piping and control panel are away from you as seen in the image below.
- Select the metal plate without the flange as shown in the adjacent image.
 - Gently tip the compressor to the left. Slide the plate under the right two compressor grommets. Position the plate so the two tabs sit in the base pan grooves as shown in the adjacent image.
 - Ensure the round indentations for the compressor grommets are seated in the corresponding base pan depressions.

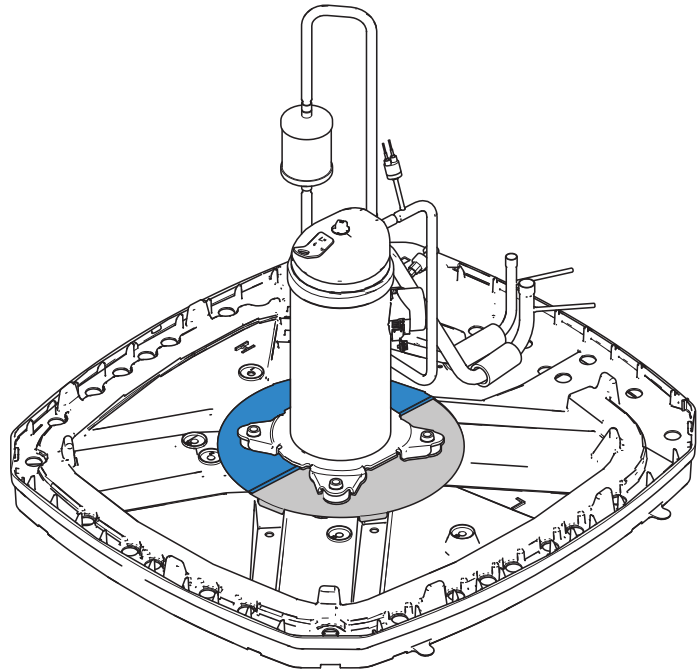
No offset flange
Install First



Offset flange
Install Second



6. Gently tip the compressor to the right and install the other plate shown in image above.
- Take care that the offset flange of this plate goes over the top of the previously installed plate.
 - Ensure the base plate tabs align in the base pan grooves and the round indentations for the compressor grommets align with base pan depressions as mentioned in step 5c.



7. Remove production grommets and replace with provided yellow-striped grommets.

Note: *Spraying the new grommets with a soap and water solution will make them easier to install.*

- a. Replace the compressor mounting bolts and tighten until snug (approx 60 inch pounds).
- b. Slide the new wire tie through the hole in the new base plate, capture wires and tighten to secure them.

8. Install the new sound enclosure following these substeps.

- a. Separate the two halves of the enclosure, and set them around the compressor while aligning the openings with the suction and hot gas lines. The pressure switch remains outside of the enclosure.
- b. Position the electrical wires so they pass through the small notch at the bottom of the enclosure on the right side.
- c. Once appropriately aligned, press the two halves together snapping the seams (completed installation shown in the adjacent image).

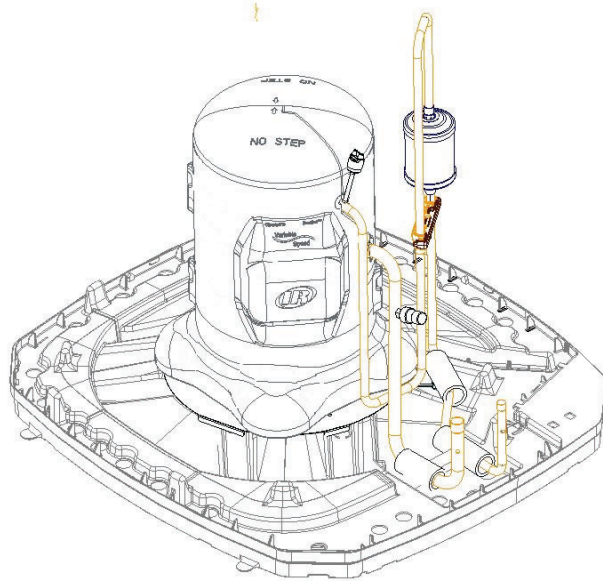
9. Reassemble the unit and reapply high voltage power.

- a. Run the unit in the test mode from the Comfort Control.

Note: * **Charging Mode** if in cooling operation

Note: * **Check Charge Mode** if in heating operation

- b. Allow the unit to run for at least 20 minutes and compare the refrigerant pressures to the pressure curves in the service facts. Make adjustments as necessary (a slight overcharge may create a dramatic increase in sound).
- c. Final refrigerant charge must be verified by subcooling in the *Charging Mode Cooling* test mode when ambient temperatures are between 55 and 120F degrees.



About Trane and American Standard Heating and Air Conditioning

Trane and American Standard create comfortable, energy efficient indoor environments for residential applications. For more information, please visit www.trane.com or www.americanstandardair.com.

The manufacturer has a policy of continuous data improvement and it reserves the right to change design and specifications without notice. We are committed to using environmentally conscious print practices.