

INSTALLER'S GUIDE

ASCT-IN-5A
18-HF10D3-1B-EN

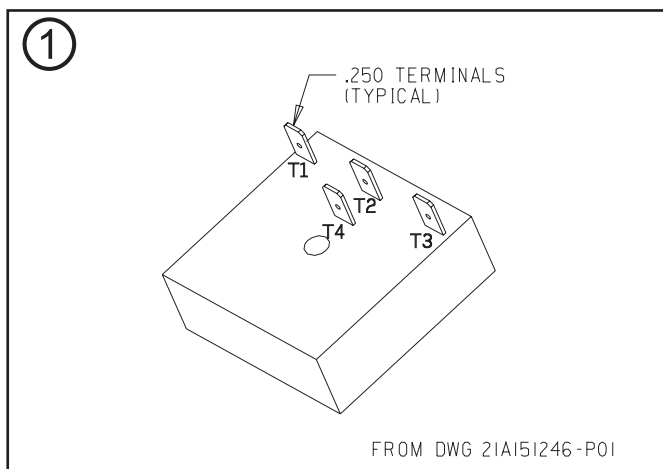
ALL phases of this installation must comply with NATIONAL, STATE AND LOCAL CODES

MODEL:
TAYASCT501A

ANTI SHORT CYCLE TIME DELAY RELAY

IMPORTANT — This Document is customer property and is to remain with this unit. Please return to service information pack upon completion of work.

⚠ WARNING: HAZARDOUS VOLTAGE - DISCONNECT POWER BEFORE SERVICING



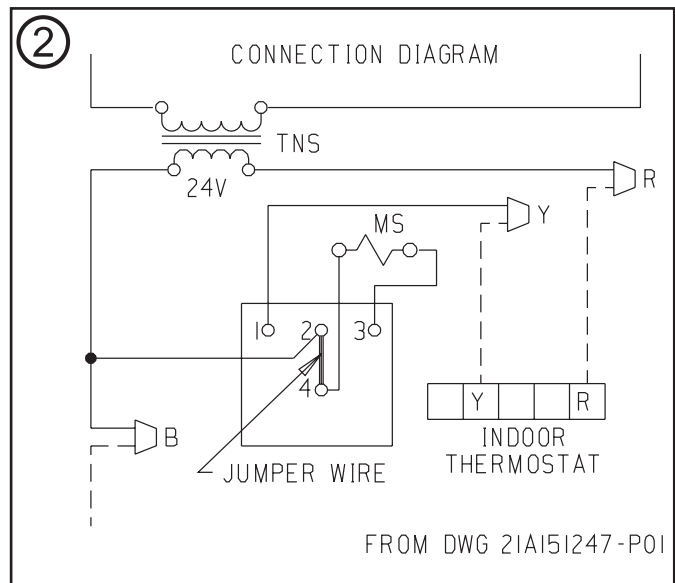
⚠ WARNING

TO PREVENT INJURY OR DEATH DUE TO ELECTRICAL SHOCK OR CONTACT WITH MOVING PARTS. LOCK UNIT DISCONNECT SWITCH IN OPEN POSITION BEFORE SERVICING UNIT.

This accessory may be installed on any compressor bearing outdoor section using 24 VAC contactor coil.

This accessory MUST be installed in a weather protected area within the unit cabinet such as the control box, the fan orifice plate, etc.

1. Mount time delay relay using the enclosed screw inserted through hole in center of time delay relay into any convenient screw hole in control box (see Fig. 1).
2. Wire the accessory according to the Connection Diagram in Fig. 2. (The spade terminals of the accessory are numbered as shown on the diagram).



3. This time delay has a (5 minute) time capability
4. After completion of installation apply appropriate label denoting 5 minute time delay inside control panel Secure all panels, grilles etc., and restore power to unit.
5. Place unit in cooling mode and wait for stabilized running conditions. Turn thermostat to "OFF" momentarily and observe the "cycling-on" time (compressor should cycle on in 5 minutes after the evaporator fan cycles on).

About Trane and American Standard Heating and Air Conditioning

Trane and American Standard create comfortable, energy efficient indoor environments for residential applications. For more information, please visit www.trane.com or www.americanstandardair.com

The manufacturer has a policy of continuous data improvement and it reserves the right to change design and specifications without notice. We are committed to using environmentally conscious print practices.