

# Installer's Guide

## Service Valve Panel Cover Kit

\*AYSVPANL0022AA

\*AYSVPANL0032AA

\*AYSVPANL3343AA

\*AYSVPANL3545AA

\*AYSVPANL0044AA

\*AYSVPANL0046AA

\* A or T

**ALL phases of this installation must comply with NATIONAL, STATE AND LOCAL CODES**

**IMPORTANT**—This Document is **customer property** and is to remain with this unit. Please return to service information pack upon completion of work.

**⚠ WARNING: HAZARDOUS VOLTAGE - DISCONNECT POWER and DISCHARGE CAPACITORS BEFORE SERVICING**

### ⚠ WARNING

This information is intended for use by individuals possessing adequate backgrounds of electrical and mechanical experience. Any attempt to repair a central air conditioning product may result in personal injury and/or property damage. The manufacture or seller cannot be responsible for the interpretation of this information, nor can it assume any liability in connection with its use.

### ⚠ WARNING

**LIVE ELECTRICAL COMPONENTS!**  
During installation, testing, servicing, and troubleshooting of this product, it may be necessary to work with live electrical components. Failure to follow all electrical safety precautions when exposed to live electrical components could result in death or serious injury.

### Application:

This kit is to be used on outdoor units that do not ship with a service valve panel cover. Part numbers for kits are shown above. Panels vary by shape, size and model color.

### Contents:

1 - Panel  
2 - 12-18 Screws  
1 - Installer's Guide

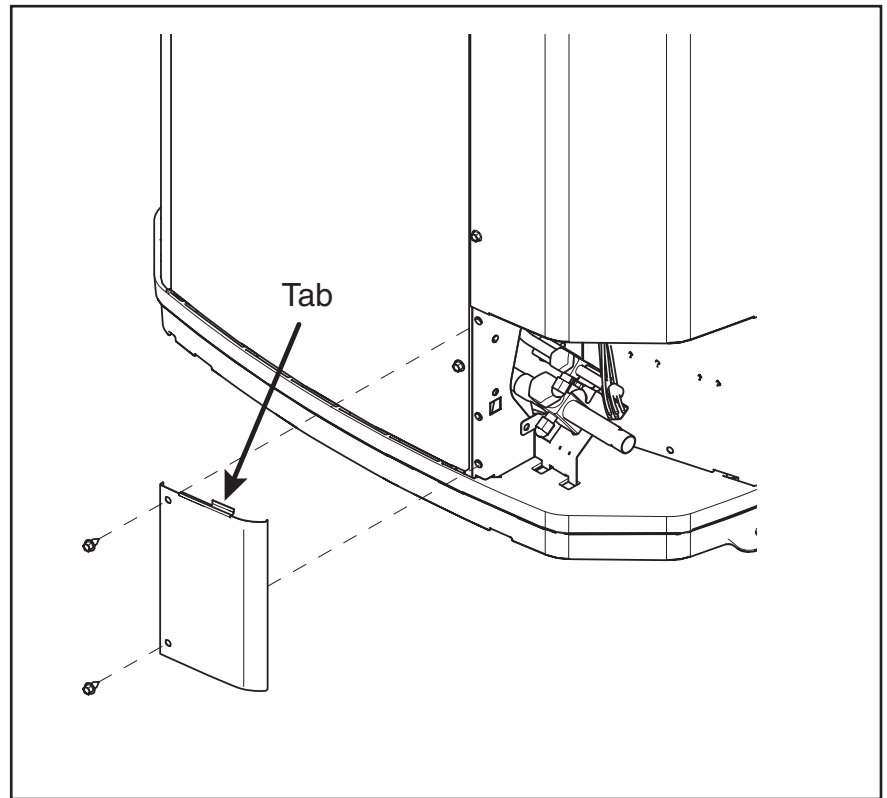
## Procedure:

1. Place valve cover on unit by sliding the tab(s) on the top of the valve cover underneath the controls cover (see Figures 1 and 2). Then push the bottom of the valve cover in so that the valve cover sits flush with the controls cover and access panel.
2. Attach the valve cover to the unit using (2) of the 12-18 screws in the kit.

## NOTE:

For alternate electrical routing, punch out the knockout on the valve cover (as shown in Figure 2).

### Figure 1



### Figure 2

