

## For Installing Humidifiers with Communicating Systems Air Handlers & Furnaces

**⚠ WARNING: HAZARDOUS VOLTAGE - DISCONNECT POWER BEFORE SERVICING**

ALL phases of this installation must comply with NATIONAL, STATE AND LOCAL CODES

**IMPORTANT** — This Document is customer property and is to remain with this unit. Please return to service information pack upon completion of work.

**⚠ WARNING**

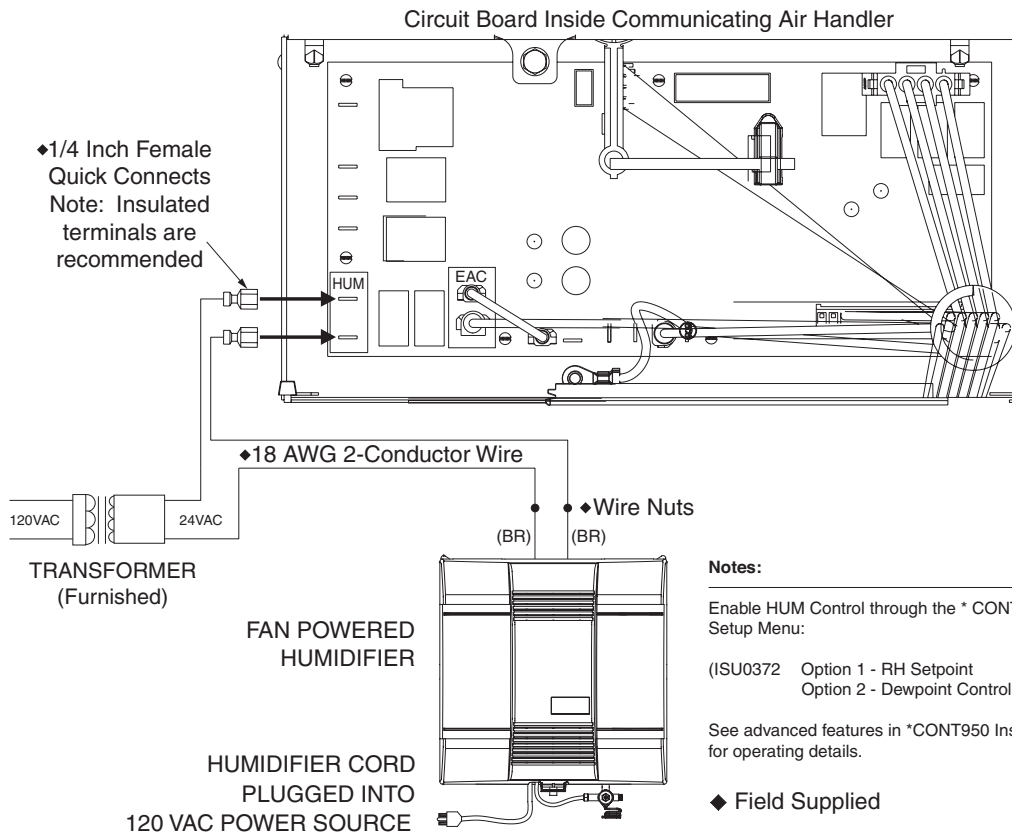
THIS INFORMATION IS FOR USE BY INDIVIDUALS HAVING ADEQUATE BACKGROUNDS OF ELECTRICAL AND MECHANICAL EXPERIENCE. ANY ATTEMPT TO REPAIR A CENTRAL AIR CONDITIONING PRODUCT MAY RESULT IN PERSONAL INJURY AND/OR PROPERTY DAMAGE. THE MANUFACTURER OR SELLER CANNOT BE RESPONSIBLE FOR THE INTERPRETATION OF THIS INFORMATION, NOR CAN IT ASSUME ANY LIABILITY IN CONNECTION WITH ITS USE.

**⚠ WARNING**

HAZARDOUS VOLTAGE! DISCONNECT ALL ELECTRIC POWER, INCLUDING REMOTE DISCONNECTS BEFORE SERVICING. FOLLOW PROPER LOCKOUT/TAGOUT PROCEDURES TO ENSURE THE POWER CAN NOT BE INADVERTENTLY ENERGIZED. FAILURE TO DISCONNECT POWER BEFORE SERVICING COULD RESULT IN DEATH OR SERIOUS INJURY.

### Diagram A FAN POWERED HUMIDIFIER WIRING DIAGRAM

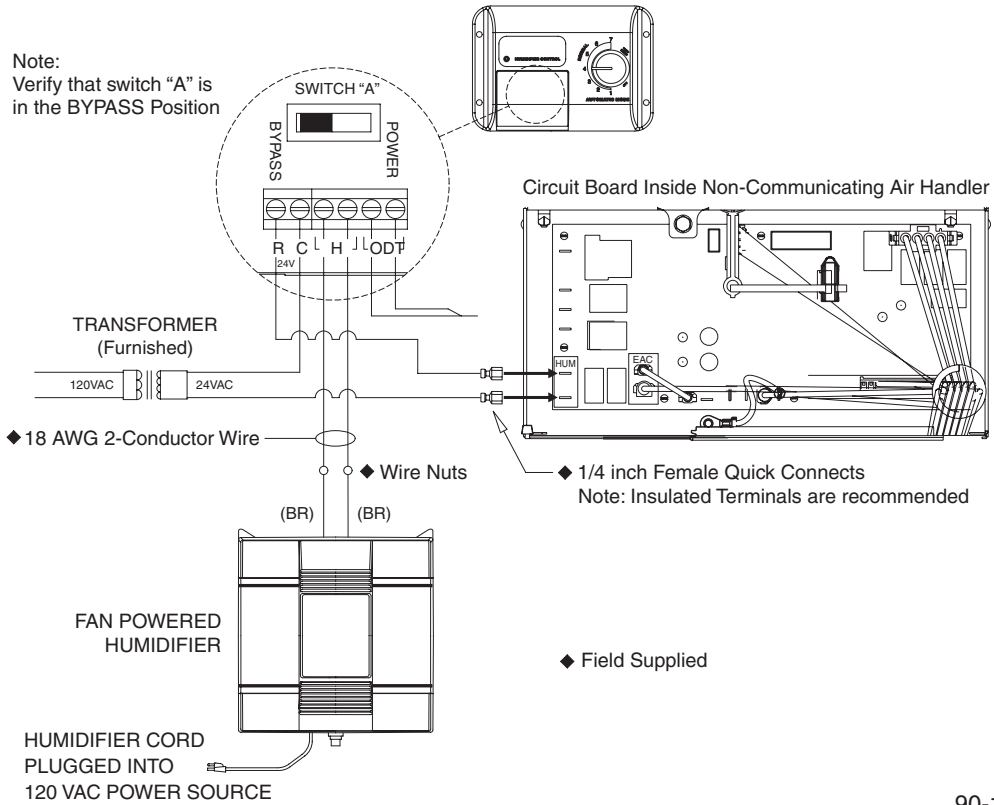
AS NEEDED FOR EHUMD500 WITH COMMUNICATING AIR HANDLER  
(Included humidity control and outdoor sensor not required)



EHUMD500A HUMIDIFIER INSTALLATION WITH COMMUNICATING SYSTEM AIR HANDLER

## Diagram A1 FAN POWERED HUMIDIFIER WIRING DIAGRAM

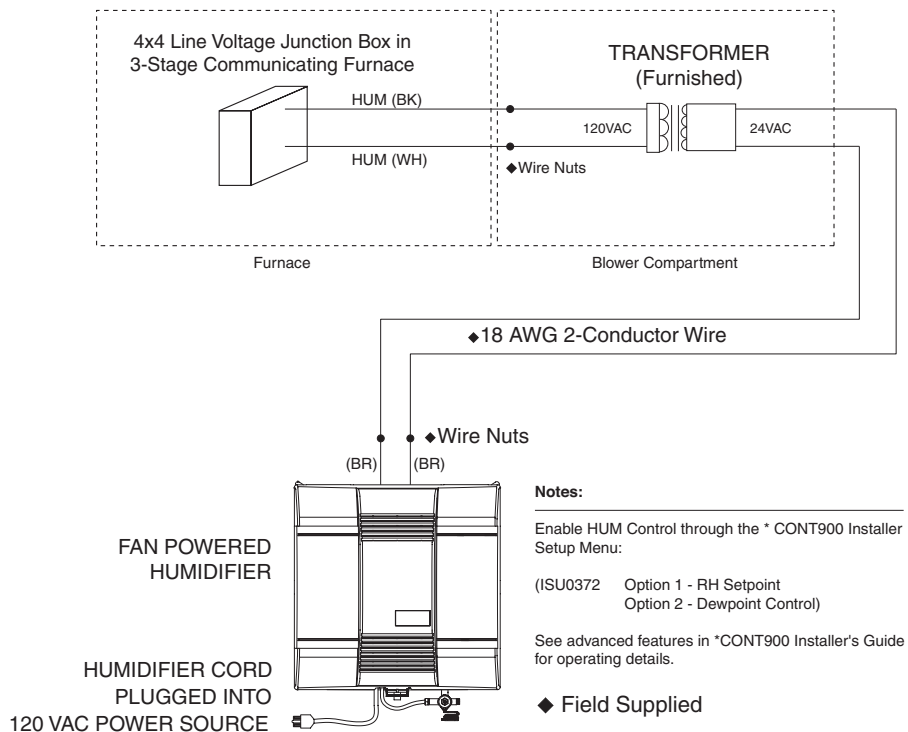
AS NEEDED FOR EHUMD500 WITH NON-COMMUNICATING AIR HANDLER



90-1928

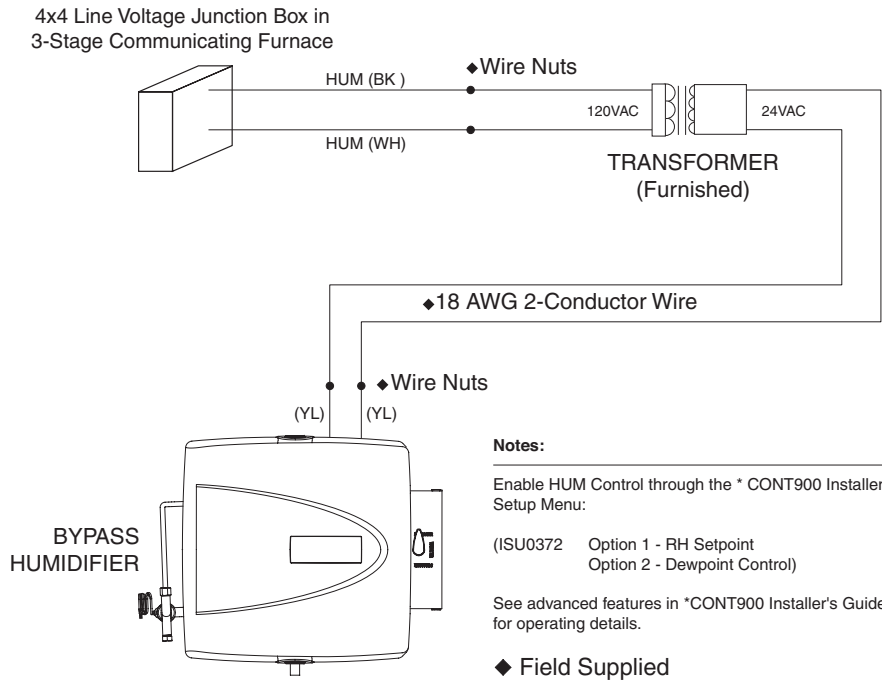
## Diagram B FAN POWERED HUMIDIFIER WIRING DIAGRAM

FOR EHUMD500 WITH 120VAC OUTPUT TERMINALS



## Diagram C BYPASS HUMIDIFIER WIRING DIAGRAM

FOR EHUMD300AB/EHUM200AB WITH 120VAC OUTPUT TERMINALS



### About Trane and American Standard Heating and Air Conditioning

Trane and American Standard create comfortable, energy efficient indoor environments for residential applications. For more information, please visit [www.trane.com](http://www.trane.com) or [www.americanstandardair.com](http://www.americanstandardair.com)

The manufacturer has a policy of continuous data improvement and it reserves the right to change design and specifications without notice. We are committed to using environmentally conscious print practices.

## Residential Humidifier Units

### Models

|                        |                        |                        |
|------------------------|------------------------|------------------------|
| <b>AHUMD200A**00BA</b> | <b>EHUMD200A**00BA</b> | <b>THUMD200A**00BA</b> |
| <b>AHUMD300A**00BA</b> | <b>EHUMD300A**00BA</b> | <b>THUMD300A**00BA</b> |
| <b>AHUMD500A**00BA</b> | <b>EHUMD500A**00BA</b> | <b>THUMD500A**00BA</b> |

| Mnemonic Part No. | Description   | Qty. | Fan-Powered HUM with Relay | Fan-Powered HUM with Circuit Board |
|-------------------|---|------|----------------------------|------------------------------------|
| BLD01036          | BLADE; FAN, LFP, *HUMD500   | 1    | ✓                          | ✓                                  |
| BRD03067          | BOARD; CIRCUIT, LFP, *HUMD500   | 1    | ✓                          |                                    |
| CNT04841          | CONTROL; CONVERTIBLE AUTOMATIC HUMIDIFIER, AMER. STD., LBP/LFP, AHUMD300, 500 | 1    | ✓                          | ✓                                  |
| CNT04842          | CONTROL; CONVERTIBLE AUTOMATIC HUMIDIFIER, TRANE, LBP/LFP, THUMD300, 500      | 1    | ✓                          | ✓                                  |
| GRM00883          | GROMMET; ACCOMMODATES .099 –.144 PANEL THICKNESS                              | 1    | ✓                          | ✓                                  |
| MOT11925          | MOTOR; LFP, *HUMD500  | 1    | ✓                          |                                    |
| ORF01440          | ORIFICE; YELLOW, LBP/SBP, *HUMD200, 300                                       | 1    |                            |                                    |
| ORF01441          | ORIFICE; BLUE, POWER UNITS, *HUMD500  | 1    | ✓                          | ✓                                  |
| RLY02948          | RELAY; MODEL 50   | 1    | ✓                          | ✓                                  |
| SEN01259          | SENSOR; OUTDOOR WITH ATTACHED BRACKET, AHC, OEM, LBP/LFP, *HUMD300, *HUMD500  | 1    | ✓                          | ✓                                  |
| SWT02795          | SWITCH; DISCONNECT FEMALE, LFP, *HUMD500                                      | 1    | ✓                          |                                    |
| SWT03081          | SWITCH; DISCONNECT MALE, LFP, *HUMD500  | 1    | ✓                          | ✓                                  |
| THT02444          | THERMOSTAT; HUMIDISTAT, MANUAL, TRANE, SBP, *HUMD200                          | 1    | ✓                          | ✓                                  |
| THT02445          | THERMOSTAT; HUMIDISTAT, MANUAL, AM STD, SBP, *HUMD200                         | 1    | ✓                          | ✓                                  |
| TRR01901          | TRANSFORMER; SBP, LBP, *HUMD200, *HUMD300                                     | 1    |                            | ✓                                  |
| VAL08192          | VALVE; SADDLE, SBP, LBP, LFP  | 1    | ✓                          | ✓                                  |
| VAL08193          | VALVE; SOLENOID, 24VAC, SBP, LBP, *HUMD200, *HUMD300                          | 1    |                            |                                    |
| VAL08194          | VALVE; SOLENOID, 24VAC, LFP, *HUMD500   | 1    | ✓                          | ✓                                  |
| 5462              | POWER CORD  | 1    | ✓                          |                                    |
| 5463              | POWER CORD  | 1    |                            | ✓                                  |
| 5464              | MOTOR   | 1    |                            | ✓                                  |
| 5465              | FEMALE DISCONNECT   | 1    |                            | ✓                                  |
| 5466              | INTERNAL RELAY  | 1    |                            | ✓                                  |

### About Trane and American Standard Heating and Air Conditioning

Trane and American Standard create comfortable, energy efficient indoor environments for residential applications. For more information, please visit [www.trane.com](http://www.trane.com) or [www.americanstandardair.com](http://www.americanstandardair.com)

The manufacturer has a policy of continuous data improvement and it reserves the right to change design and specifications without notice. We are committed to using environmentally conscious print practices.