

# Installer's Guide

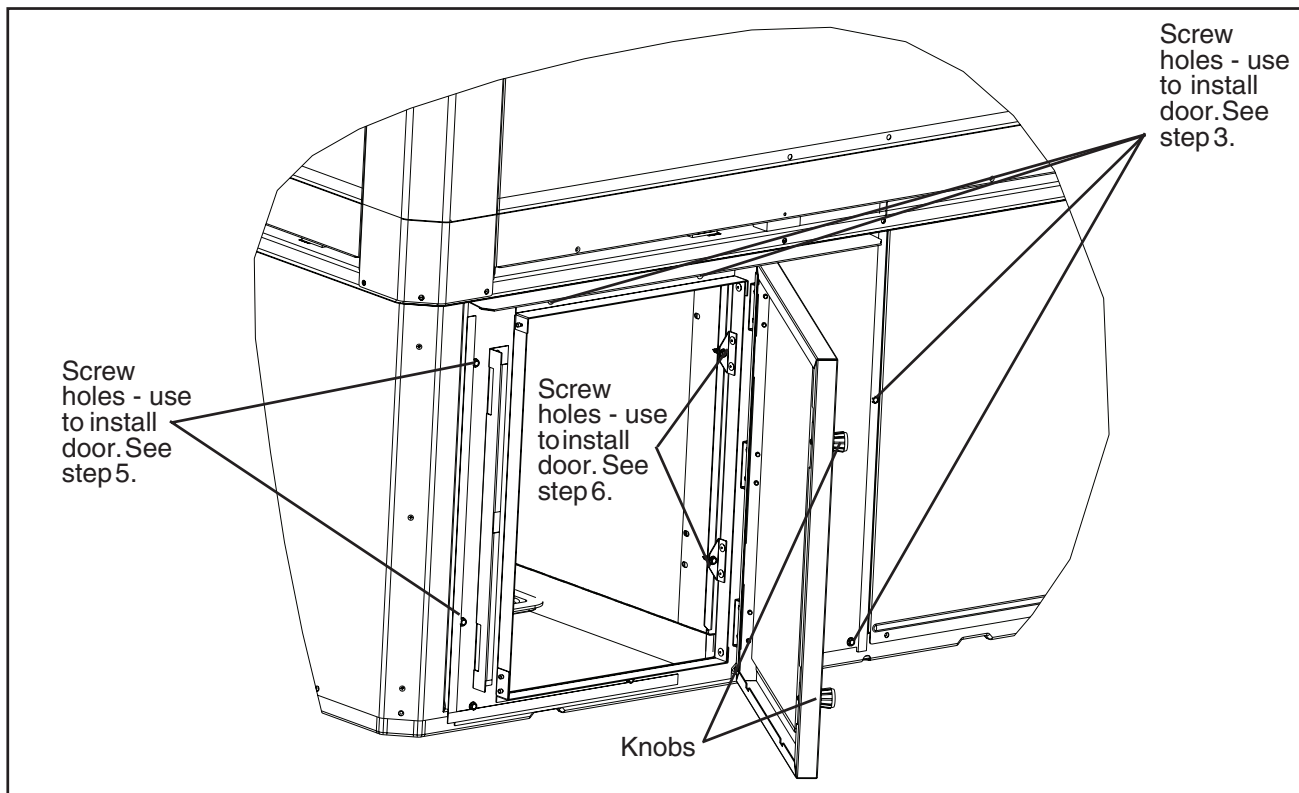
## ACCESS DOOR

Model:	Used With:
<b>BAYACCDOR1</b>	<b>BAYFLTR101B (2/4YC*,WC*,TC*,DC**018-036A)</b>
<b>BAYACCDOR2</b>	<b>BAYFLTR201B (2/4YC*,WC*,TC*,DC**042-060A)</b>

### **⚠ WARNING: HAZARDOUS VOLTAGE - DISCONNECT POWER BEFORE SERVICING**

ALL phases of this installation must comply with NATIONAL, STATE AND LOCAL CODES

**IMPORTANT** This Document is **customer property** and is to remain with this unit. Please return to service information pack upon completion of work.



### TYPICAL ACCESS DOOR INSTALLATION

#### General

Follow these instructions to install the BAYACCDOR1 or BAYACCDOR2 (DOOR1 or DOOR2) in single packaged units described in Used With section at top.

1. Check for any shipping damage, and if any, report it to the carrier immediately.
2. Remove the access panel labeled COIL ACCESS and retain screws.
3. Use screws removed in Step 2 to attach right side and

top of DOOR1/2.

4. Open door using two knobs on left side of door.
5. Use additional screws removed in Step 2 to attach left side of DOOR1/2.
6. Use remaining screws removed in Step 2 to attach DOOR1/2 to the indoor coil flashing.
7. Shut door and turn knobs to secure.

**Note:** Doors are not backward compatible with BAYFLTR101A or BAYFLTR201A.

#### About Trane and American Standard Heating and Air Conditioning

Trane and American Standard create comfortable, energy efficient indoor environments for residential applications. For more information, please visit [www.trane.com](http://www.trane.com) or [www.americanstandardair.com](http://www.americanstandardair.com)

The manufacturer has a policy of continuous data improvement and it reserves the right to change design and specifications without notice. We are committed to using environmentally conscious print practices.