

Installer's Guide

Extreme Condition Mounting Kit

BAYEXMK003A for Slab Mounting – All Cabinet Sizes

⚠️ WARNING: HAZARDOUS VOLTAGE – DISCONNECT POWER BEFORE SERVICING

ALL phases of this installation must comply with NATIONAL, STATE AND LOCAL CODES

IMPORTANT — This Document is **customer property** and is to remain with this unit. Please return to service information pack upon completion of work.

Kit Contents

Items	Quantity
Bracket-Hold Down (G90 Steel)	4
Self drilling #12-3/4" Screws	4

Inspection

Check carefully for any shipping damage. This must be reported to and claims made against the transportation company immediately. Any missing parts should be reported to your supplier at once, and replaced with authorized parts only.

Installation

1. Attach the (4) Base Brackets to the unit base using (4) of the #12 3/4" self drilling screws in the kit into an existing screw location on the unit. Install one (1) bracket on each side of the unit. Attach the brackets to the slab *using (4) field provided bolts appropriate to the material the unit is mounted on* (recommend a 0.25" diameter bolt with a minimum of SAE-Grade 5 (ASTM-A449) or better with appropriate washer).

BAYEXMK003A

REPLACE AFTER SERVICE

BAYEXMK003A Installation

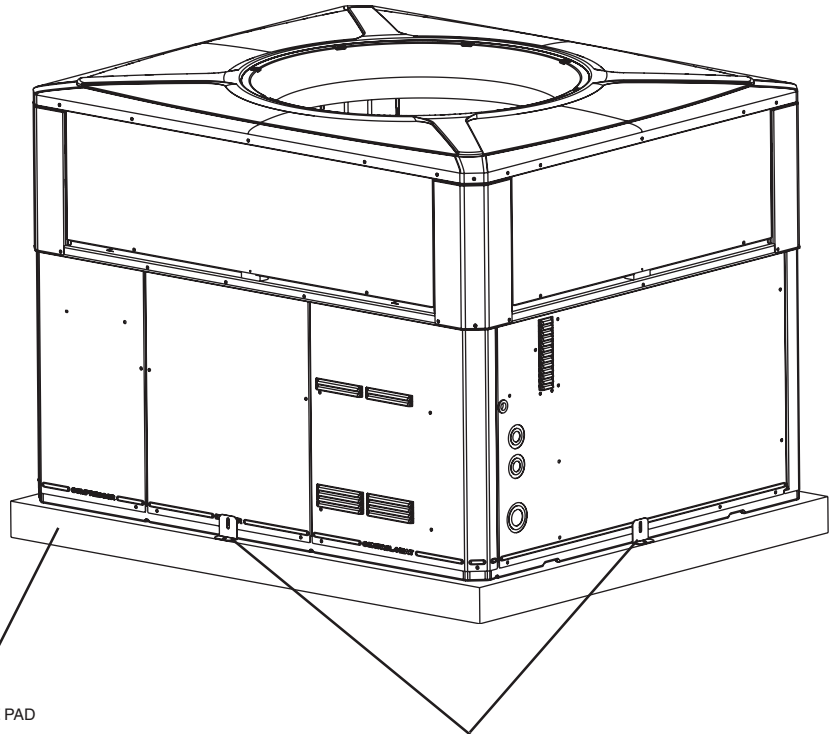
(UNIT MOUNTED TO SLAB)

MATERIALS:

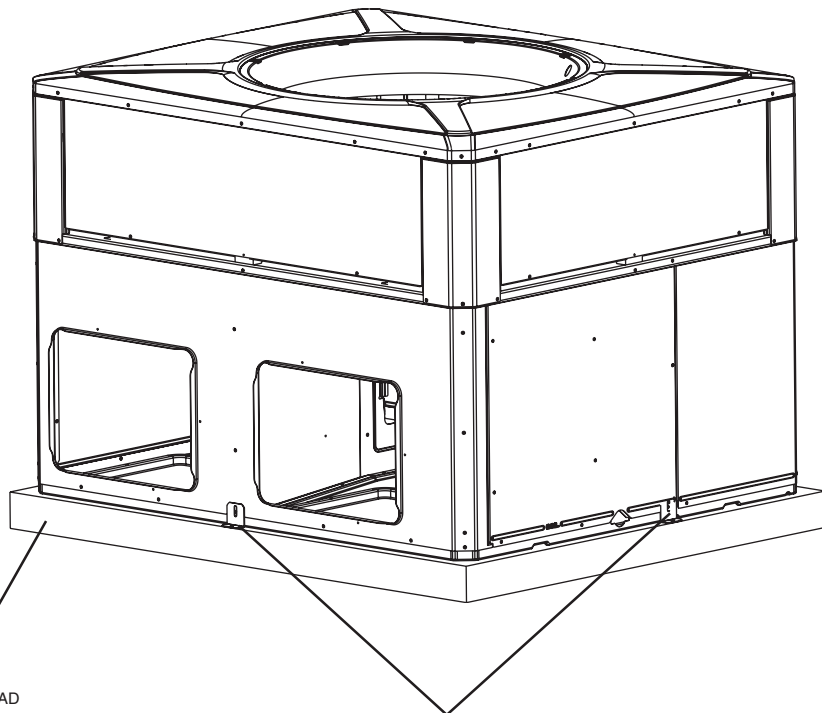
(4) .25" DIA. BOLTS & WASHERS SAE GRADE 5 ASTM-A449 (FIELD SUPPLIED)

KIT SUPPLIED BRACKET 1-7/8" TALL. THIS LOCATION ON EACH SIDE OF UNIT (ALL MODELS)

(4) #12 X 3/4" LONG SCREWS (KIT SUPPLIED)



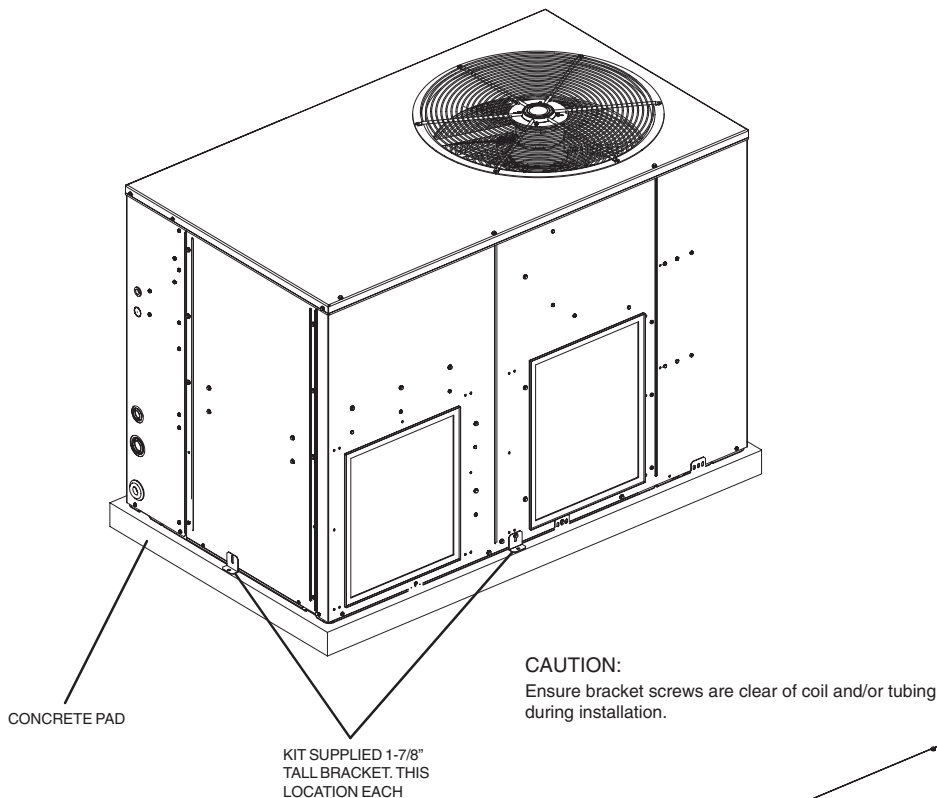
KIT SUPPLIED 1-7/8" TALL BRACKET. THIS LOCATION EACH SIDE OF UNIT (ALL MODELS)



KIT SUPPLIED 1-7/8" TALL BRACKET. THIS LOCATION EACH SIDE OF UNIT (ALL MODELS)

BAYEXMK003A Installation

(UNIT MOUNTED TO SLAB)

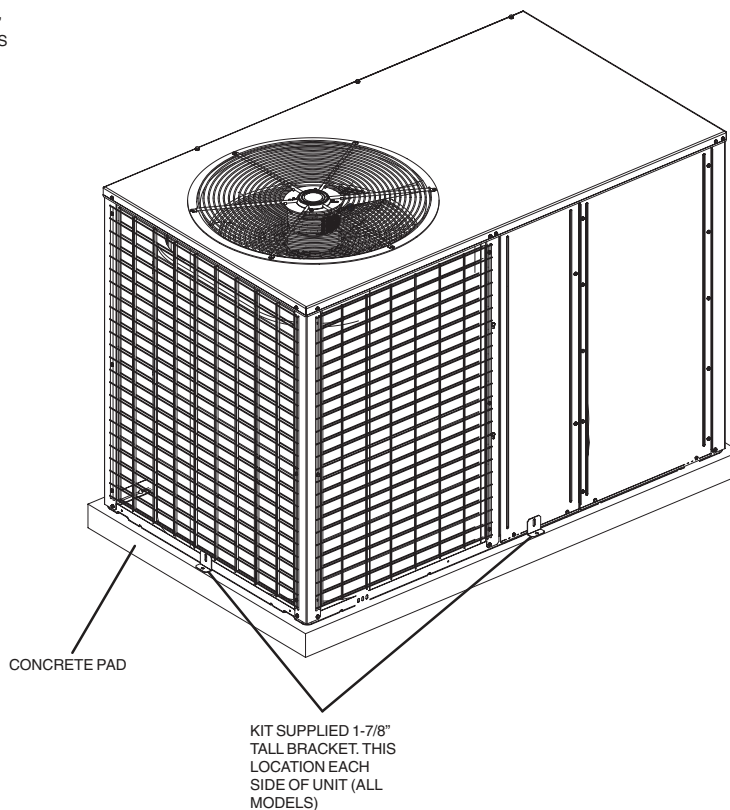


MATERIALS:

(4) .25" DIA. BOLTS & WASHERS SAE GRADE 5 ASTM-A449 (FIELD SUPPLIED)

KIT SUPPLIED BRACKET 1-7/8" TALL. THIS LOCATION ON EACH SIDE OF UNIT (ALL MODELS)

(4) #12 X 3/4" LONG SCREWS (KIT SUPPLIED)



About Trane and American Standard Heating and Air Conditioning

Trane and American Standard create comfortable, energy efficient indoor environments for residential applications.

For more information, please visit www.trane.com or www.americanstandardair.com

The manufacturer has a policy of continuous data improvement and it reserves the right to change design and specifications without notice. We are committed to using environmentally conscious print practices.