

# Installer's Guide

## Extreme Condition Mounting Kit BAYEXMK002B For Mounting on Utility Curbs

**⚠ WARNING: HAZARDOUS VOLTAGE – DISCONNECT POWER BEFORE SERVICING**

ALL phases of this installation must comply with NATIONAL, STATE AND LOCAL CODES

**IMPORTANT**—This Document is customer property and is to remain with this unit. Please return to service information pack upon completion of work.

### Kit Contents

Items	Quantity
Angle-Reinforcement	4 (for BAYCURB* only)
Bracket	6
Self drilling #12-3/4" Screws	56

### Inspection

Check carefully for any shipping damage. This must be reported to and claims made against the transportation company immediately. Any missing parts should be reported to your supplier at once, and replaced with authorized parts only.

### Installation (with BAYUTIL101B,102B and BAYCURB050A,051A)

1. Attach the four (4) Angle-Reinforcements to each corner of the BAYCURB050A,051A. Measure down 3/4" from the top of the curb to the top of the Angle-Reinforcement and attach with 8 of the 3/4" 12-14 self drilling screws (supplied in the kit).

2. Attach each of the six (6) brackets to the unit and the curb using four (4) of the 3/4" 12-14 self drilling screws supplied in the kit. Two (2) screws into the side of the unit and two (2) screws into the side of the utility curb. Install two (2) brackets on each of the long sides and one (1) on each of the short sides of the unit.

### Installation (with BAYUTIL103A and BAYCURB060A)

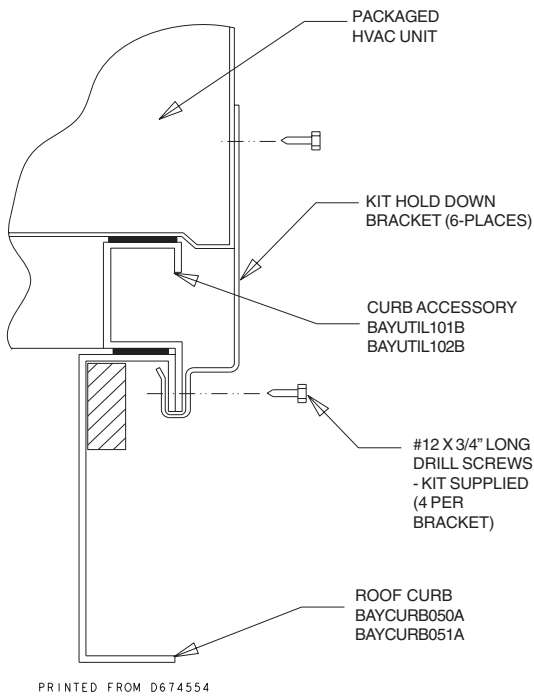
1. Attach the four (4) Angle-Reinforcements to each corner of the BAYCURB060A. Measure down 3/4" from the top of the curb to the top of the Angle-Reinforcement and attach with 8 of the 3/4" 12-14 self drilling screws (supplied in the kit).
2. Attach each of the six (6) brackets to the unit and the curb using four (4) of the 3/4" 12-14 self drilling screws supplied in the kit. Two (2) screws into the side of the unit and two (2) screws into the side of the utility curb. Install three (3) brackets on each of the long sides of the unit.

# BAYEXMK002B

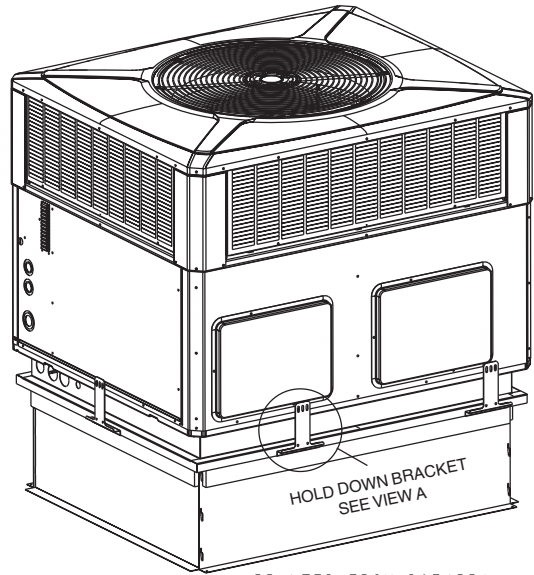
REPLACE AFTER SERVICE

# BAYEXMK002B Installation

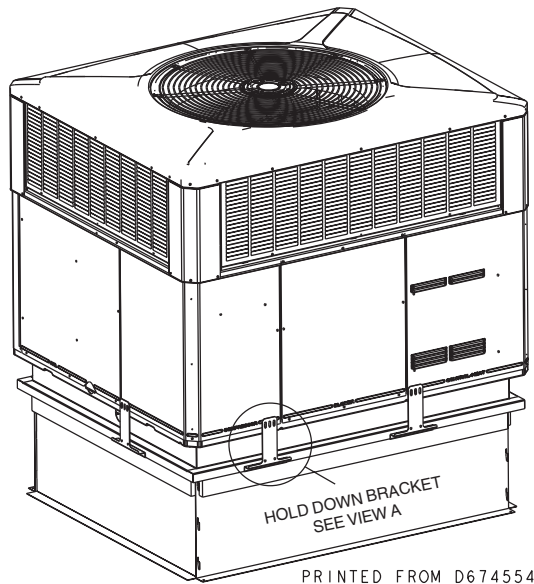
(Unit Mounted to BAYUTIL101B, 102B and BAYCURB050A, 051A)



**VIEW A**  
(END VIEW)

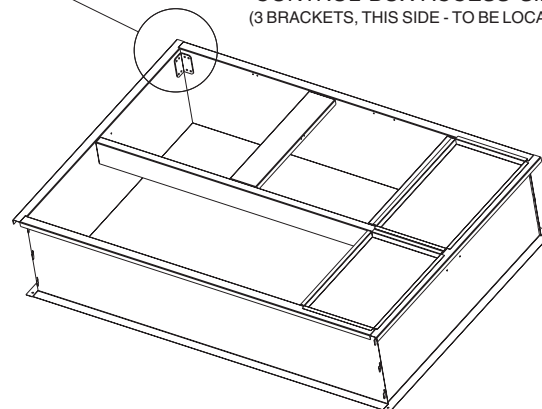
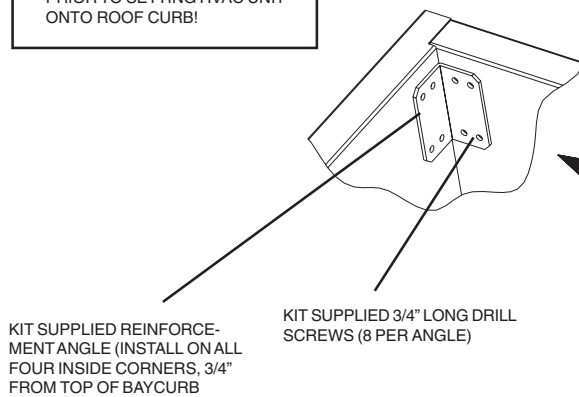


**SUPPLY & RETURN SIDE OF UNIT**  
(3 BRACKETS, THIS SIDE - TO BE LOCATED AS SHOWN)



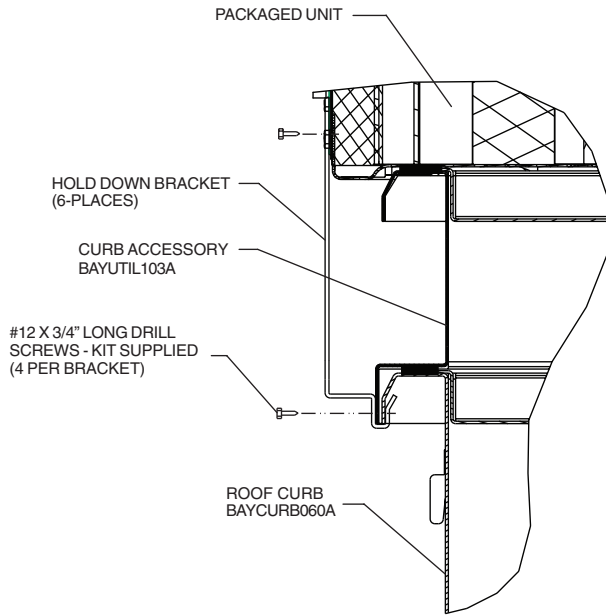
**CONTROL BOX ACCESS SIDE OF UNIT**  
(3 BRACKETS, THIS SIDE - TO BE LOCATED AS SHOWN)

**IMPORTANT: FOUR CORNER ANGLES MUST BE INSTALLED PRIOR TO SETTING HVAC UNIT ONTO ROOF CURB!**

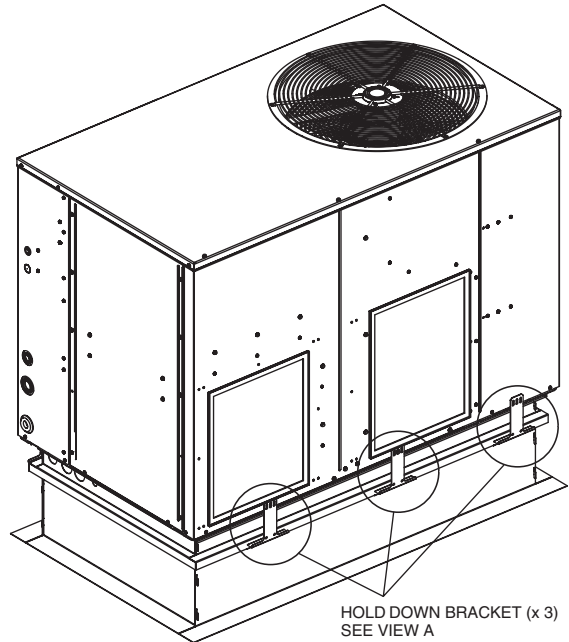


# BAYEXMK002B Installation

(Unit Mounted to BAYUTIL103A and BAYCURB060A)

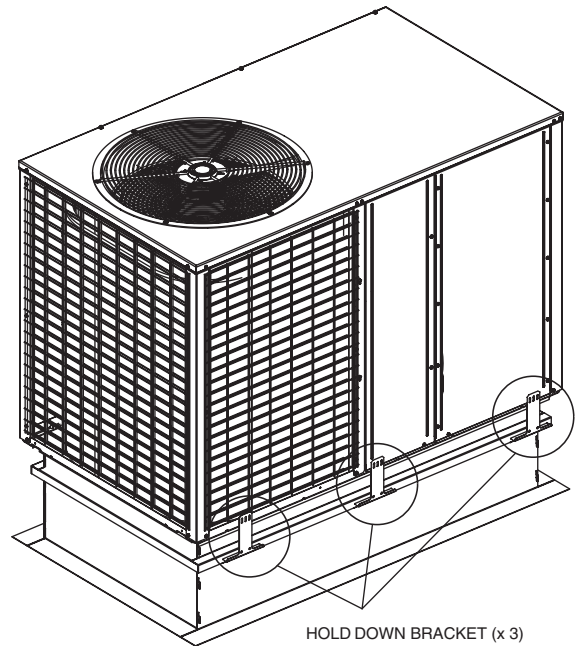
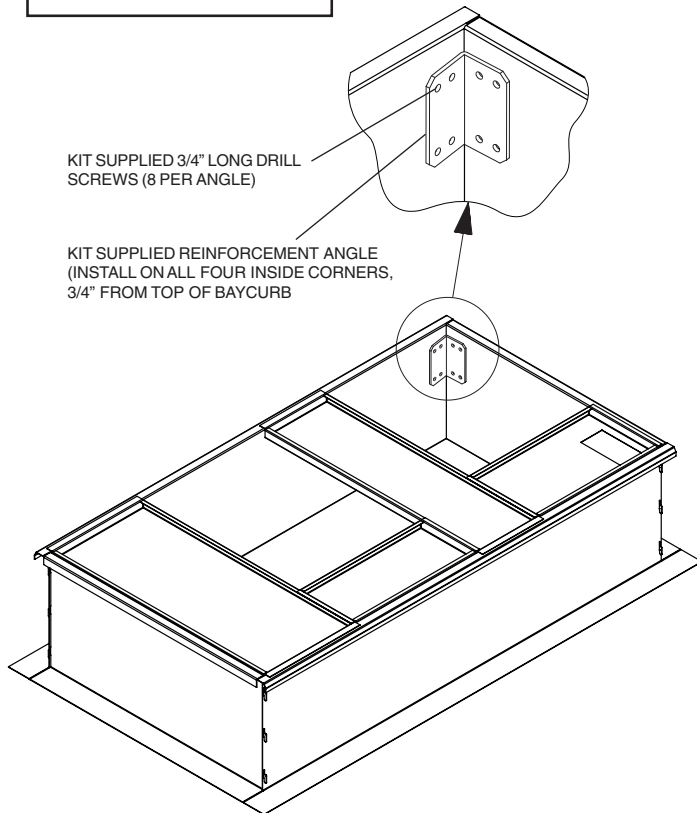


**VIEW A**  
(END VIEW)



**SUPPLY & RETURN SIDE OF UNIT**  
(3 BRACKETS, THIS SIDE - TO BE LOCATED AS SHOWN)

**IMPORTANT:** FOUR CORNER ANGLES MUST BE INSTALLED PRIOR TO SETTING HVAC UNIT ONTO ROOF CURB!



**CONTROL BOX ACCESS SIDE OF UNIT**  
(3 BRACKETS, THIS SIDE - TO BE LOCATED AS SHOWN)

**CAUTION:**  
Ensure bracket screws are clear of coil and/or tubing during installation.

## About Trane and American Standard Heating and Air Conditioning

Trane and American Standard create comfortable, energy efficient indoor environments for residential applications. For more information, please visit [www.trane.com](http://www.trane.com) or [www.americanstandardair.com](http://www.americanstandardair.com)

---

The manufacturer has a policy of continuous data improvement and it reserves the right to change design and specifications without notice. We are committed to using environmentally conscious print practices.

18-HE74D1-3B-EN 09 Jun 2020  
Supersedes 18-HE74D1-3A-EN (April 2019)

© 2020