

## Extreme Condition Mounting Kit

BAYEXMK002AA For Mounting on Utility Curbs



**WARNING: HAZARDOUS VOLTAGE - DISCONNECT POWER BEFORE SERVICING**

**ALL phases of this installation must comply with NATIONAL, STATE, AND LOCAL CODES**

**IMPORTANT** - This Document is **customer property** and is to remain with this unit. Please return to service information pack upon completion of work.

### **KIT CONTENT:**

Angle-Reinforcement - Qty 4 (for BAYCURB\* only)

Bracket - Qty 6

Self drilling #12-3/4" Screws - Qty 56

### **INSPECTION:**

Check carefully for any shipping damage. This must be reported to and claims made against the transportation company immediately. Any missing parts should be reported to your supplier at once and replaced with authorized parts only.

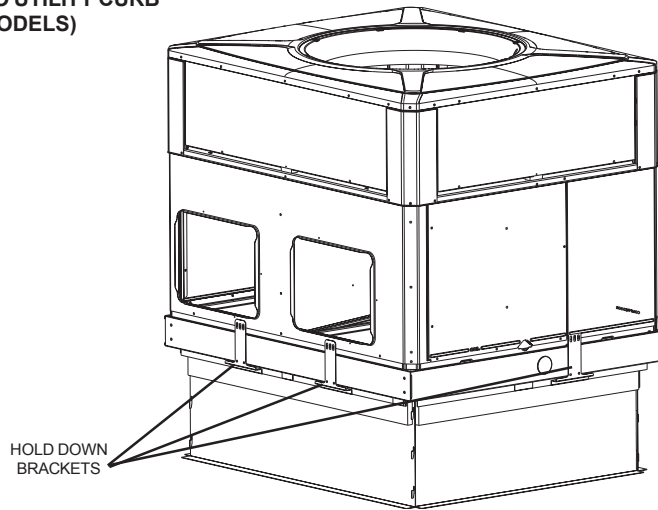
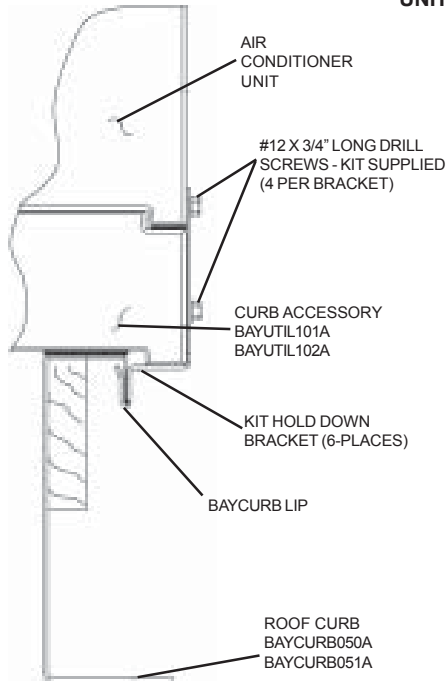
### **INSTALLATION with BAYUTIL101AA,102AA and BAYCURB\*:**

1. Attach the four (4) Angle-Reinforcements to each corner of the BAYCURB050AA,051AA. Measure down 3/4" from the top of the curb to the top of the Angle-Reinforcement and attach with 8 of the 3/4" 12-14 self drilling screws (supplied in the kit).
2. Attach each of the six (6) brackets to the unit and the curb using three (3) of the 3/4" 12-14 self drilling screws supplied in the kit and one (1) supplied with the unit. Two (2) screws into the side of the unit and two (2) screws into the bottom of the unit. Install two (2) brackets on each of the long sides and one (1) on each of the short sides of the unit.

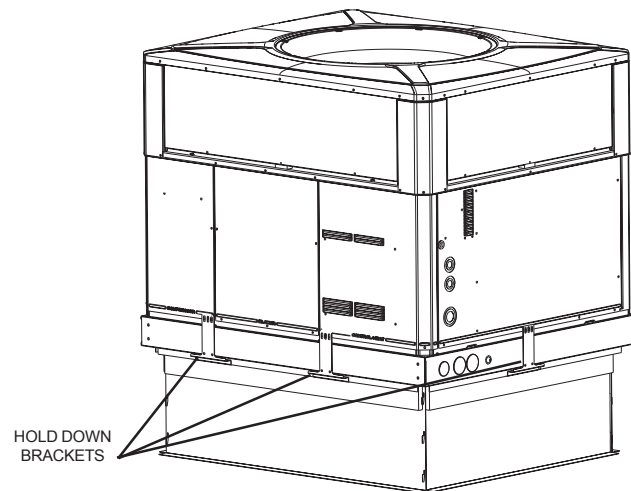
**BAYEXMK002AA**

**REPLACE AFTER SERVICE**

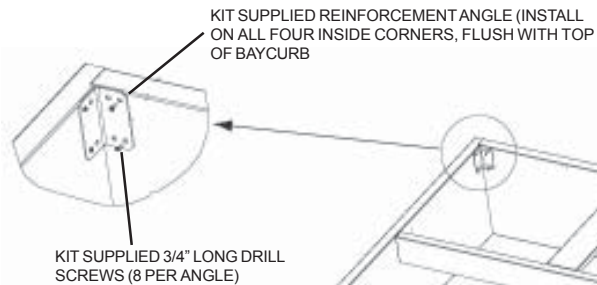
## BAYEXMK002AA INSTALLATION UNIT MOUNTED TO UTILITY CURB (ALL 12 MODELS)



SUPPLY & RETURN SIDE OF UNIT  
(3 BRACKETS, THIS SIDE - TO BE LOCATED AS SHOWN)



CONTROL BOX ACCESS SIDE OF UNIT  
(3 BRACKETS, THIS SIDE - TO BE LOCATED AS SHOWN)



IMPORTANT! FOUR CORNER ANGLES MUST BE INSTALLED PRIOR TO SETTING A/C UNIT ONTO ROOF CURB!

BAYCURB ANGLE REINFORCEMENT INSTALLATION