

Installer's Guide

Extreme Condition Mounting Kit BAYEXMK001A For Mounting on Full Perimeter Curbs

⚠ WARNING: HAZARDOUS VOLTAGE – DISCONNECT POWER BEFORE SERVICING

ALL phases of this installation must comply with NATIONAL, STATE AND LOCAL CODES

IMPORTANT — This Document is **customer property** and is to remain with this unit. Please return to service information pack upon completion of work.

Kit Contents

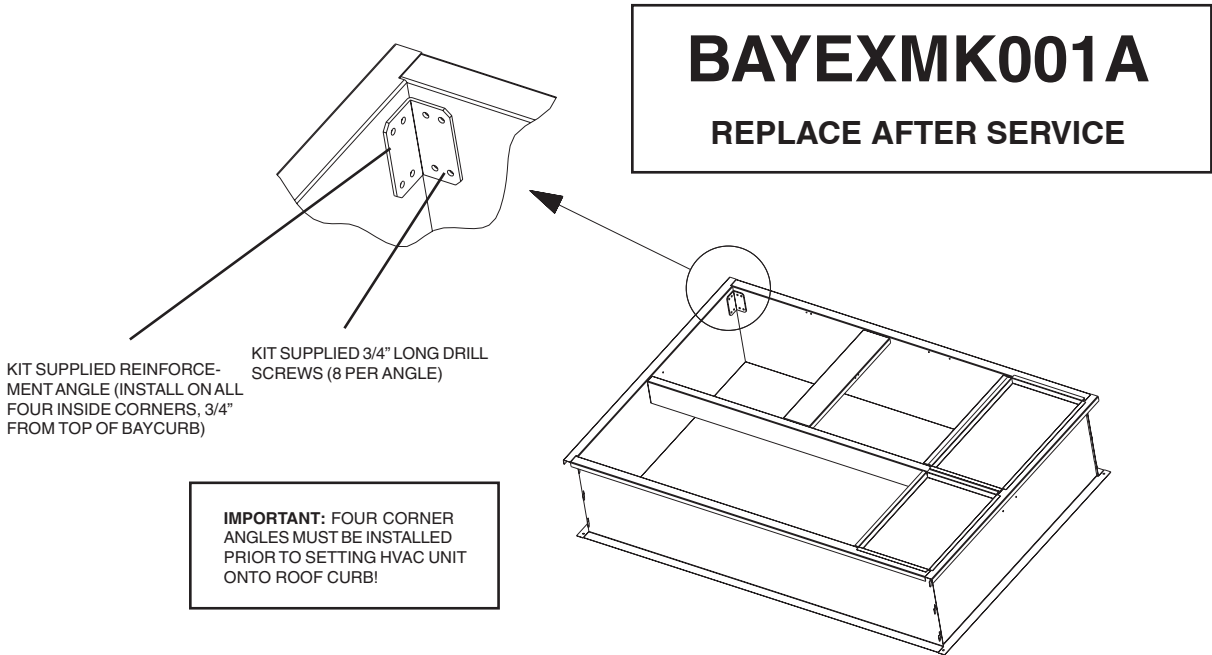
Items	Quantity
Angle-Reinforcement	4 (for BAYCURB* only)
Bracket	6
Self drilling #12-3/4" Screws	56

Inspection

Check carefully for any shipping damage. This must be reported to and claims made against the transportation company immediately. Any missing parts should be reported to your supplier at once, and replaced with authorized parts only.

Installation (with BAYCURB050A, 051A & with BAYADAP050A-054A Only)

1. Attach the four (4) Angle-Reinforcements to each corner of the BAYCURB050A,051A. Measure down 3/4" from the top of the curb to the top of the Angle-Reinforcement and attach with eight (8) of the 3/4" 12-14 self drilling screws (supplied in the kit).
2. Attach each of the six (6) brackets to the unit and the curb using three (3) of the 3/4" 12-14 self drilling screws supplied in the kit and one (1) supplied with the unit. Two (2) screws into the side of the unit and two (2) screws into the bottom of the unit or curb flange. Install two (2) brackets on each of the long sides and one (1) on each of the short sides of the unit.

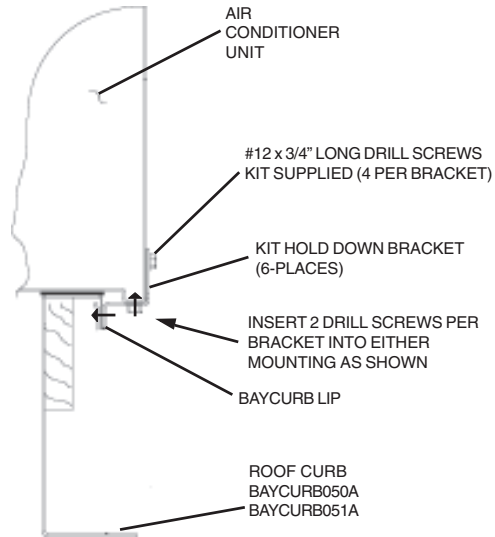


BAYEXMK001A Installation

UNIT MOUNTED TO FULL PERIMETER CURB

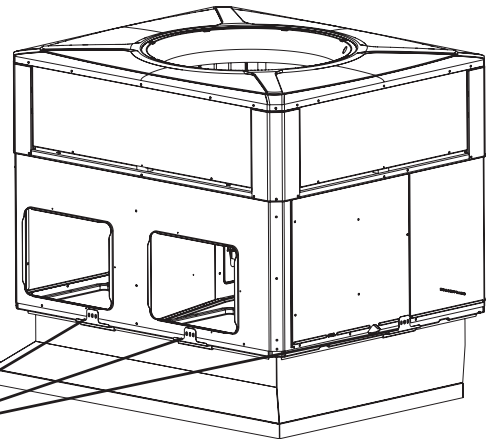
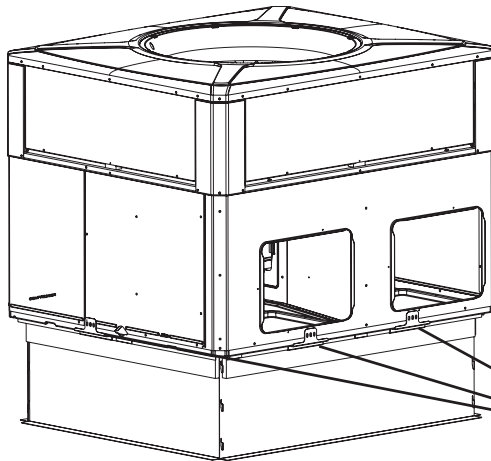
(BAYUTIL101A,102A)

(BAYADAP050A-054A)



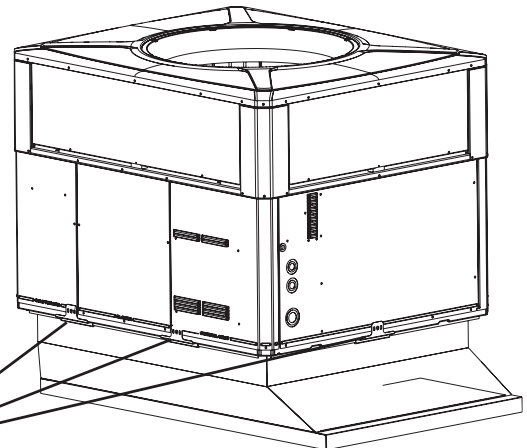
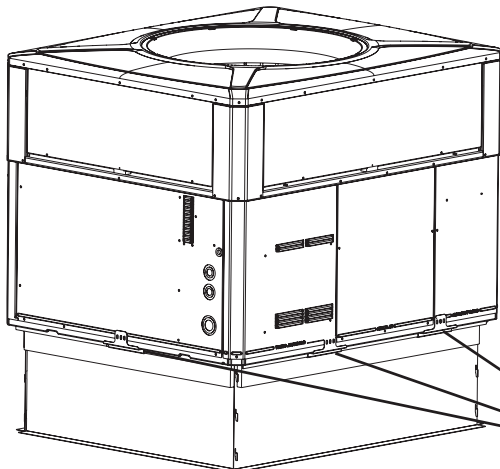
PERIMETER CURB

ADAPTOR CURB



HOLD DOWN BRACKET

SUPPLY & RETURN SIDE OF UNIT
(3 BRACKETS, THIS SIDE - TO BE LOCATED AS SHOWN)



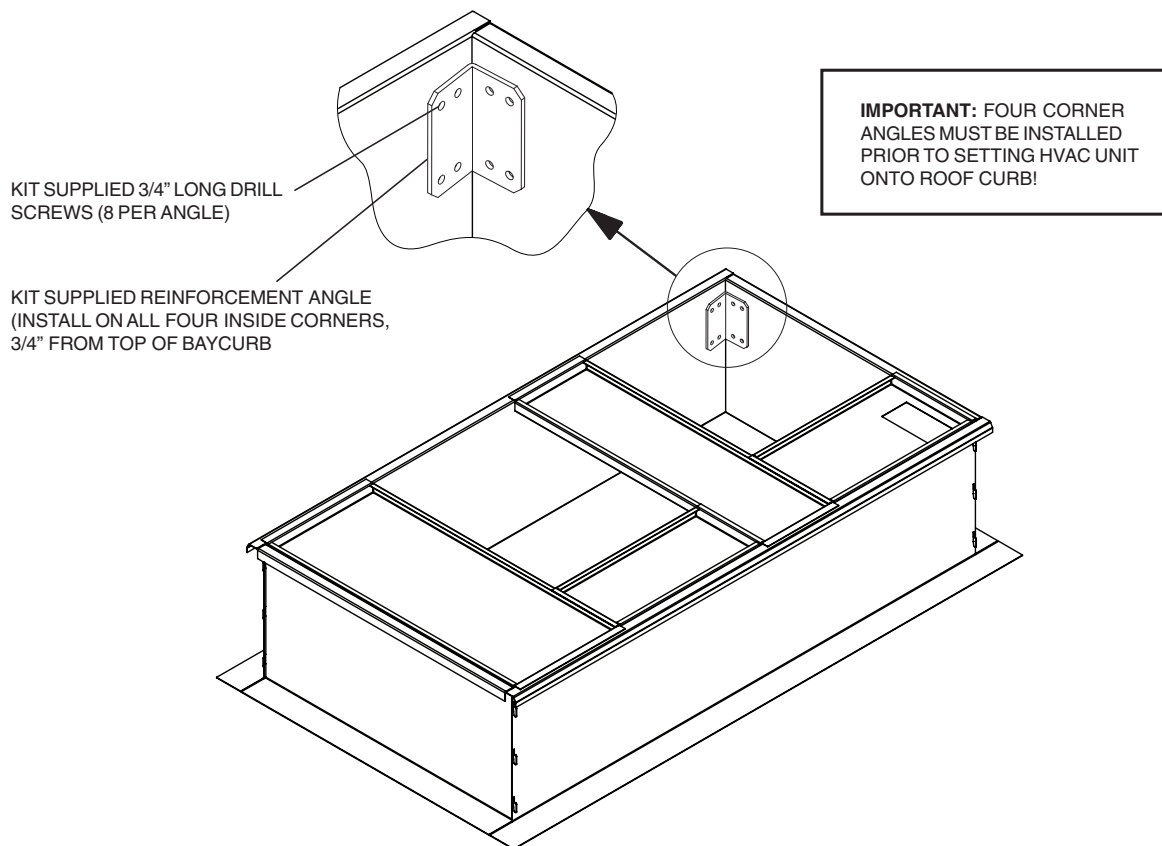
HOLD DOWN BRACKET

CONTROL BOX ACCESS SIDE OF UNIT
(3 BRACKETS, THIS SIDE - TO BE LOCATED AS SHOWN)

Installation (with BAYUTIL103A and BAYCURB060A)

1. Attach the four (4) Angle-Reinforcements to each corner of the BAYCURB060A. Measure down 3/4" from the top of the curb to the top of the Angle-Reinforcement and attach with eight (8) of the 3/4" 12-14 self drilling screws (supplied in the kit).

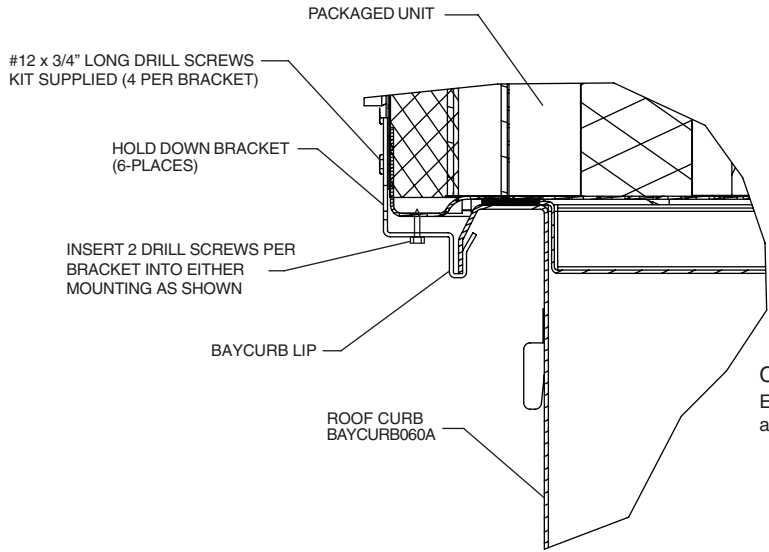
2. Attach each of the six (6) brackets to the unit and the curb using three (3) of the 3/4" 12-14 self drilling screws supplied in the kit and one (1) supplied with the unit. Two (2) screws into the side of the unit and two (2) screws into the bottom of the unit or curb flange. Install three (3) brackets on each of the long sides of the unit.



Baycurb060A Angle Reinforcement Installation

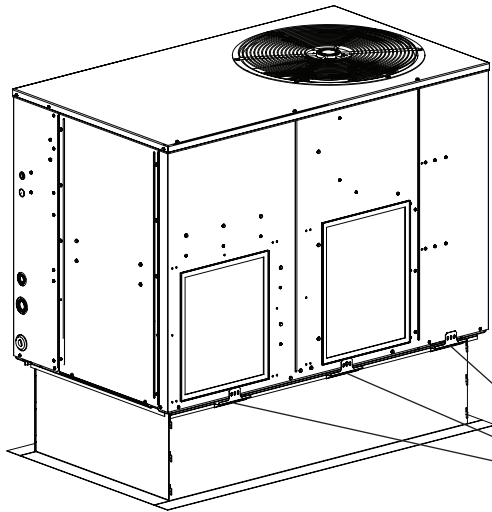
BAYEXMK001A Installation

UNIT MOUNTED TO FULL PERIMETER CURB (BAYUTIL103A and BAYCURB060A)

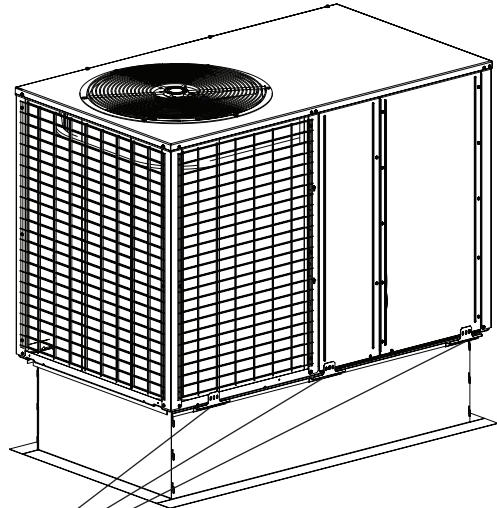


CAUTION:
Ensure bracket screws are clear of coil and/or tubing during installation.

PERIMETER CURB



SUPPLY & RETURN SIDE OF UNIT
(3 BRACKETS, THIS SIDE - TO BE LOCATED AS SHOWN)



CONTROL BOX ACCESS SIDE OF UNIT
(3 BRACKETS, THIS SIDE - TO BE LOCATED AS SHOWN)

HOLD DOWN BRACKETS

About Trane and American Standard Heating and Air Conditioning

Trane and American Standard create comfortable, energy efficient indoor environments for residential applications. For more information, please visit www.trane.com or www.americanstandardair.com

The manufacturer has a policy of continuous data improvement and it reserves the right to change design and specifications without notice. We are committed to using environmentally conscious print practices.