

Installer's Guide

Heat Pump Snow Legs Kit

BAYLEGS004 (4-inch), BAYLEGS007 (7-inch)

ALL phases of this installation must comply with NATIONAL, STATE AND LOCAL CODES

IMPORTANT — This Document is **customer property** and is to remain with this unit. Please return to service information pack upon completion of work.

⚠ WARNING

EXPERIENCE REQUIRED!

This information is for use by individuals having adequate backgrounds of electrical and mechanical experience. Any attempt to repair a central air conditioning product may result in personal injury and/or property damage. The manufacturer or seller cannot be responsible for the interpretation of this information, nor can it assume any liability in connection with its use.

INSPECTION:

Check carefully for any shipping damage. This must be reported to and claims made against the transportation company immediately. Any missing parts should be reported to your supplier at once and replaced with authorized parts only.

NOTE: Installation of Heat Pump Snow Legs must be made prior to connecting refrigerant lines and/or electrical power to unit.

CONTENTS OF KIT:

BAYLEGS004:

Qty 4, 4" mounting legs
Qty 2, strips of mastic adhesive tape
Qty 1, Installer's Guide

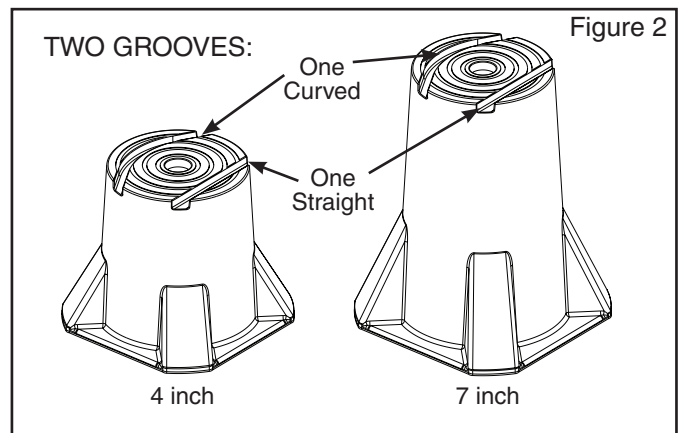
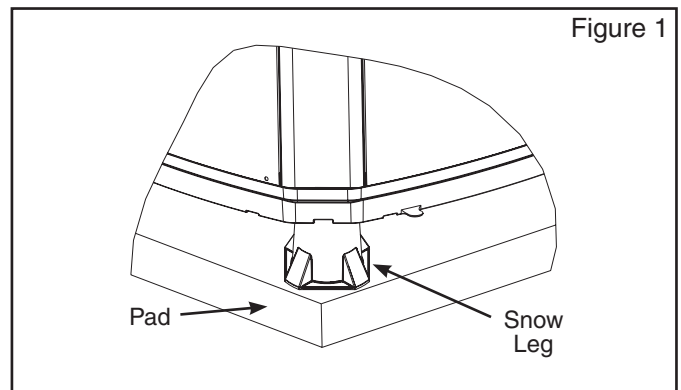
BAYLEGS007:

Qty 4, 7" mounting legs
Qty 2, strips of mastic adhesive tape
Qty 1, Installer's Guide

⚠ WARNING

HAZARDOUS VOLTAGE!

Failure to follow this Warning could result in property damage, severe personal injury, or death. Disconnect all electric power, including remote disconnects before servicing. Follow proper lockout/tagout procedures to ensure the power cannot be inadvertently energized.



Installer's Guide

INSTALLATION:

1. ONLY one snow leg goes under each corner of the basepan as illustrated in Figure 1.

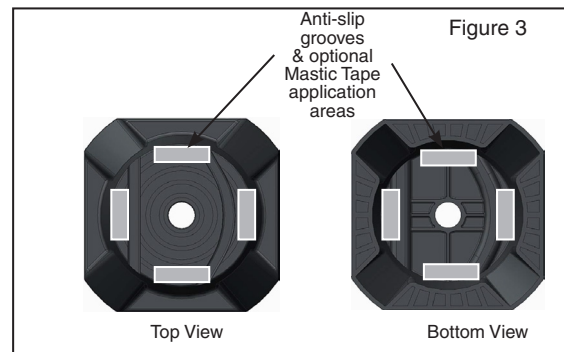
⚠ WARNING

TIP HAZARD!

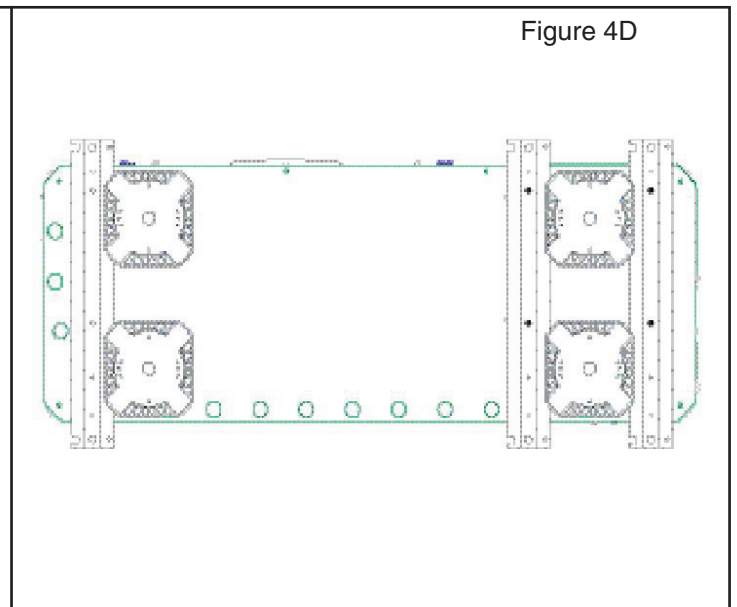
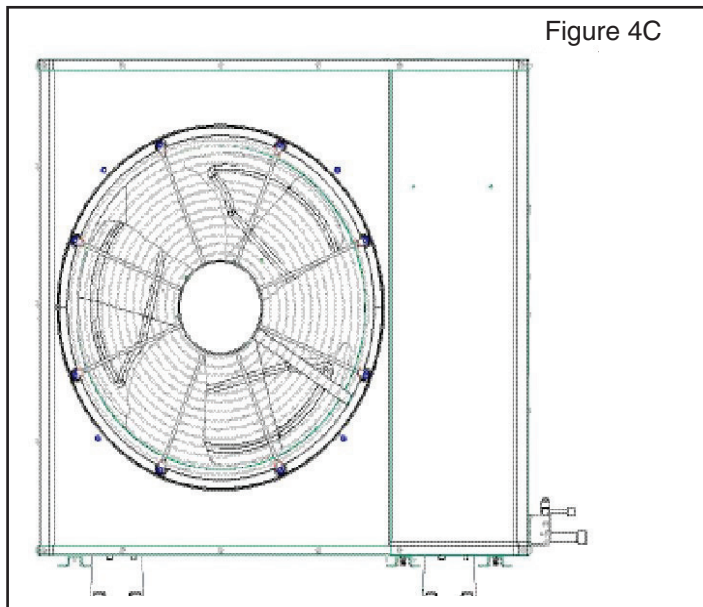
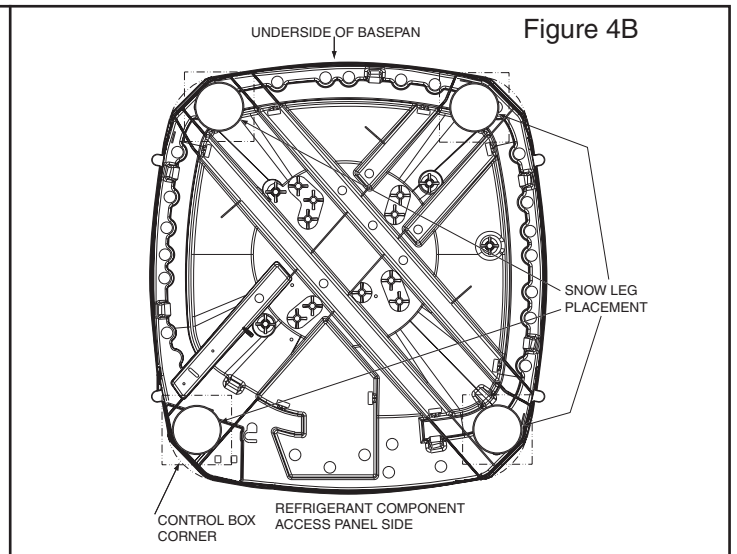
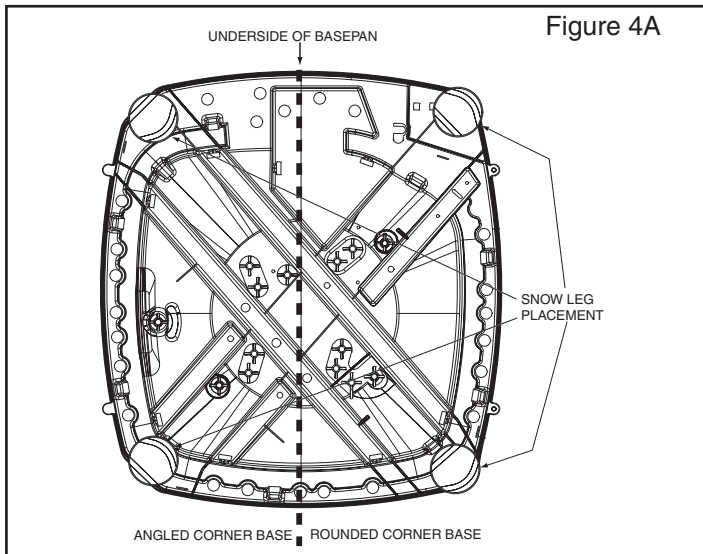
Do not cut, modify, combine or stack snow legs in ANY way as this may cause loss of structural integrity which could result in unit damage. Failure to heed this warning could result in severe bodily injury.

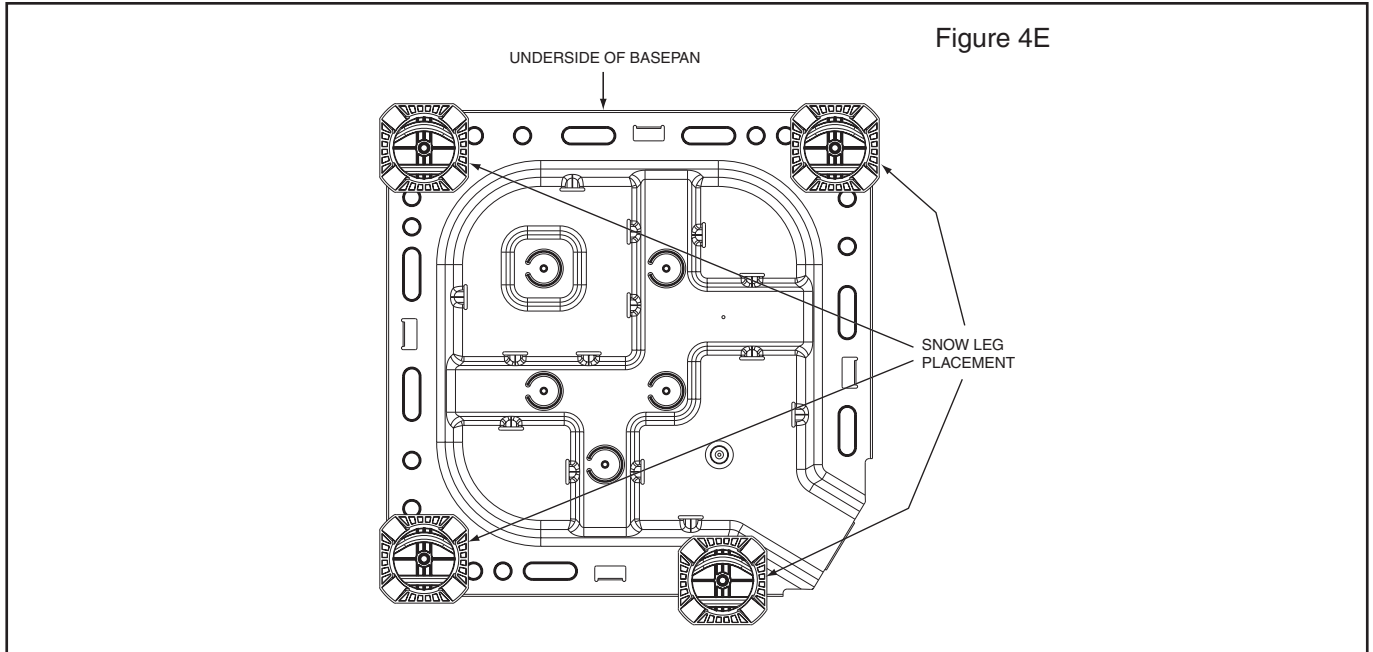
NOTE: Each snow leg has two grooves in its top, as shown in Figure 2. These grooves accommodate the edge of current angled-corner and legacy rounded-corner basepans (Not applicable to Side Discharge models or Value products).

2. For Side Discharge Models, cut mastic tape along perforations into smaller individual pieces and place in the locations shown in Figure 3.



3. Turn the leg to align grooves with the outer lip of the basepan (see Figure 4A) (not applicable for Side Discharge models or Value products). Alternatively, the legs can be placed inside the lip of the basepan as shown in Figure 4B-E.
4. Install each snow leg.
5. Ensure unit is level and stable and that all four legs are properly mounted.





About Trane and American Standard Heating and Air Conditioning
Trane and American Standard create comfortable, energy efficient indoor environments for residential applications. For more information, please visit www.trane.com or www.americanstandardair.com

The manufacturer has a policy of continuous data improvement and it reserves the right to change design and specifications without notice. We are committed to using environmentally conscious print practices.