

Installer's Guide

Start Control Kit

BAYKSKT257, 258, 259, 260, 263, 265 & 266

⚠ WARNING: HAZARDOUS VOLTAGE – DISCONNECT POWER BEFORE SERVICING

ALL phases of this installation must comply with NATIONAL, STATE AND LOCAL CODES

IMPORTANT—This Document is customer property and is to remain with this unit. Please return to service information pack upon completion of work.

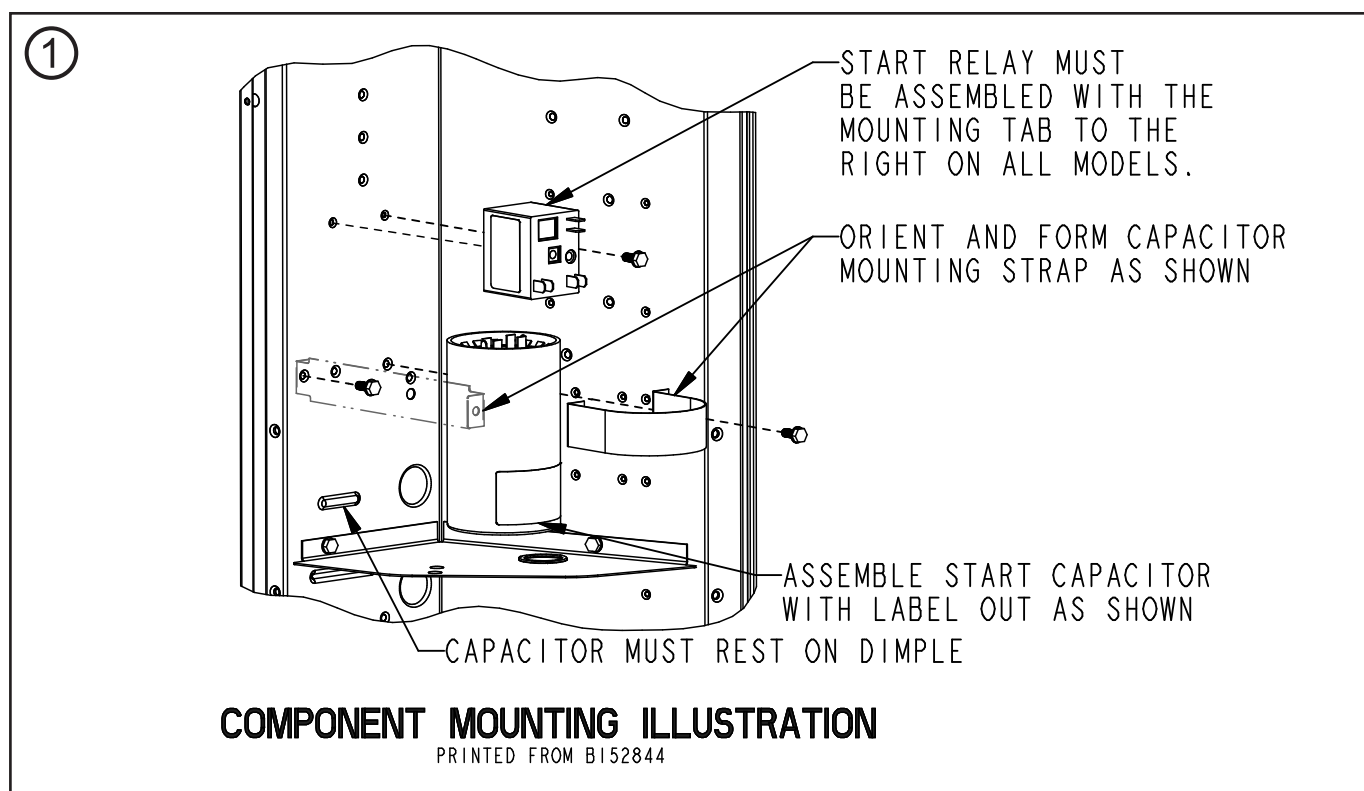
INSTALLATION:

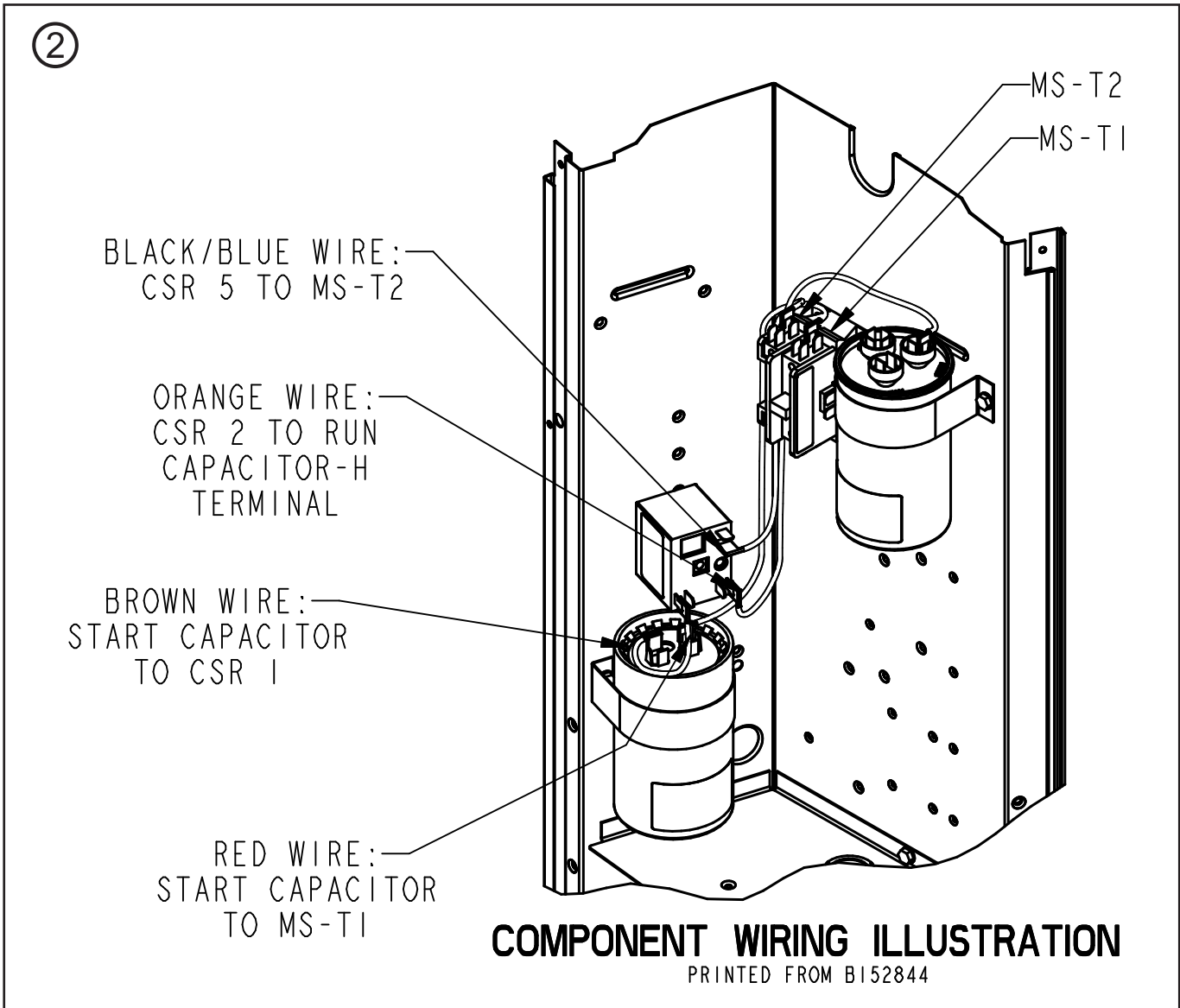
Mounting Start Control Kit Components

1. Be certain power to unit is DISCONNECTED.
2. Remove cover panel on control box compartment.
3. Open Start Control Kit and remove kit assembly.
4. With the screws provided, secure Start Control kit assembly in control compartment as illustrated. (See Figure 1)

Wiring Start Control Kit Components

5. Connect the color coded start control wires with quick connect 1/4" flag terminals to the contactor and capacitor, as illustrated. (See Figure 2)
6. To replace control compartment panel reverse procedure used to remove these items.
7. Re-connect power, which was disconnected in step 1.





About Trane and American Standard Heating and Air Conditioning
Trane and American Standard create comfortable, energy efficient indoor environments for residential applications. For more information, please visit www.trane.com or www.americanstandardair.com

The manufacturer has a policy of continuous data improvement and it reserves the right to change design and specifications without notice. We are committed to using environmentally conscious print practices.