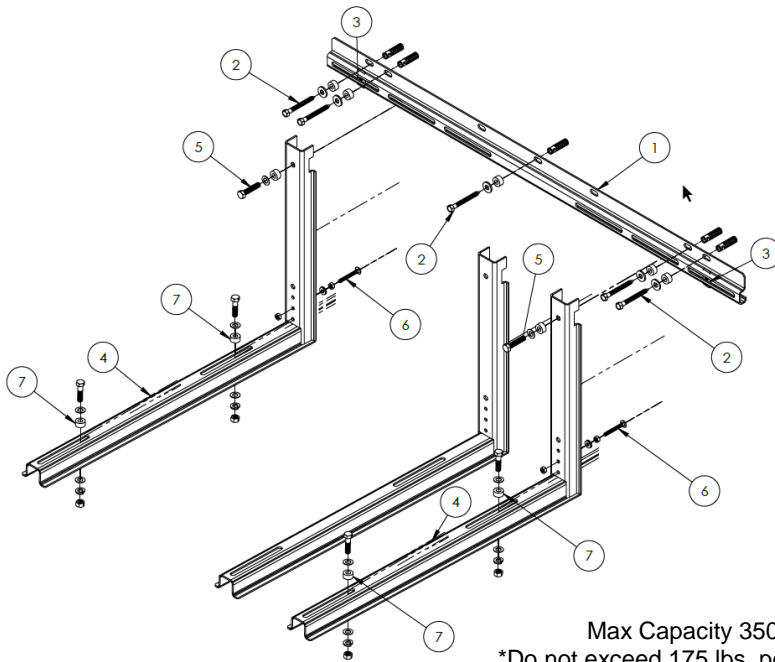
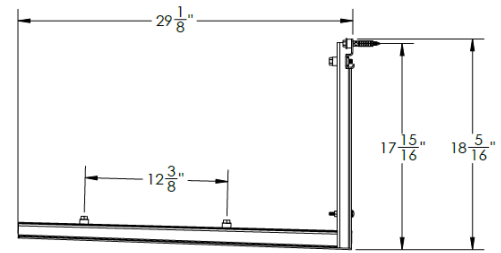


\*Please adhere to all local laws and building codes

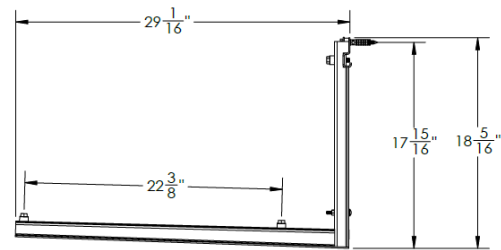


Max Capacity 350 lbs.

\*Do not exceed 175 lbs. per L bracket



**SIDE VIEW RETRACTED**



**SIDE VIEW EXPANDED**

**Step 1:** Remove the three wall mounted bracket parts and bag of hardware from the box.

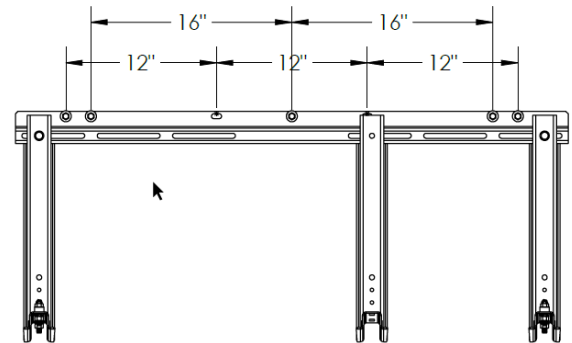
**Step 2:** Mount the straight QS glide track (1) to the wall using the three lag bolts (2) provided.

**Step 3:** Install the spring nuts (3) into the ends of the QS glide track (1) and slide them to the desired location.

**Step 4:** Mount the L-bars (4) to the glide track by using the hardware provided. (Note: Insert the 1" 3/4x3/8 bolts (5) and washers thru the L-bar into the spring nuts (3) )

**Step 5:** Insert 1/4x20 carriage bolt (6) with nut through back side L bar (4). Place rubber washer (7) and nut on front of L Bar. Adjust to have carriage bolt sit flush to siding.

**Installing a Dual Fan Condenser:** tie the top of the unit to the wall so the bracket can resist wind pressure.



\*Carriage Bolt prevents vinyl siding from crushing.