

Installer's Guide

Outdoor Thermostat Kit

TAYSTAT250B

ALL phases of this installation must comply with NATIONAL, STATE AND LOCAL CODES

IMPORTANT— This Document is **customer property** and is to remain with the outdoor unit. Please return to service information pack upon completion of work.

GENERAL - SUPPLEMENTARY HEATER STAGING

The outdoor thermostat (ODT) is designed to turn "ON" the supplementary heater at a pre-selected outdoor temperature. The number and setting of the ODT is dependent on the heat loss of the structure and capacity of the heating system installed.

The model ODT gives a temperature range from 44°F to -10°F. (See Figure 1 for settings). The switching action is single pole/double throw, opening on temperature rise and closing on temperature fall, completing the circuit through the thermostat.

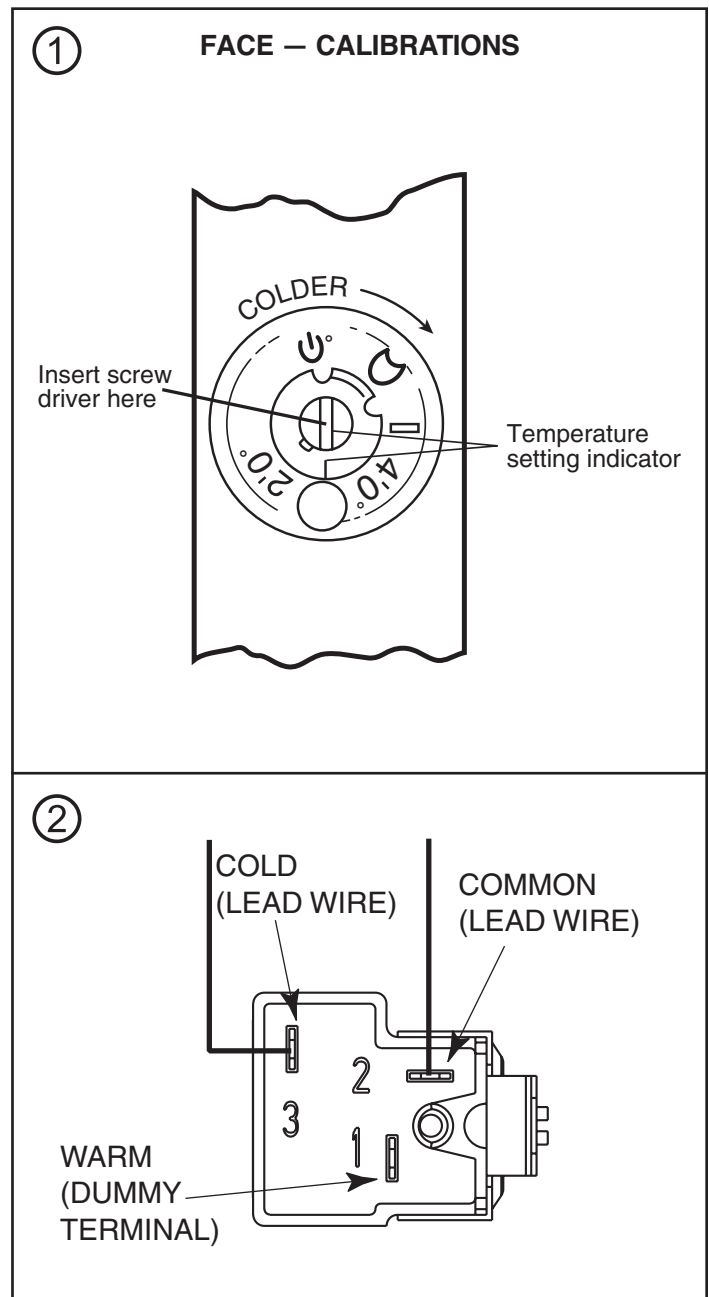
ODT KIT INSTALLED IN CONTROL COMPARTMENT OF UNIT

1. Be certain power to unit is disconnected.
2. Remove cover plate on control compartment.
3. Open kit and remove ODT kit assembly plus (2) wires, (2) screws, and (1) cable tie.
4. Assure that lead wires are attached to terminals 2 and 3 and that dummy terminal is attached to terminal 1 (See Figure 2).
5. Feed ODT capillary through the low voltage wire hole (See Figure 3).
6. With the (2) screws provided, secure ODT assembly in control compartment as illustrated (see Figure 3).
7. Remove access panel. Route ODT lead wires from Control Box, through low voltage wire hole, into access panel area.
8. Using wire nuts, field wire the ODT into heater circuit according to Wiring Diagram on the outdoor unit.

⚠ CAUTION

BE SURE CAPILLARY TUBE IS IN CONTACT WITH AIR ONLY AND NOT ANY OTHER SURFACES SUCH AS COILS, METAL PANELS, REFRIGERANT LINES, ETC.

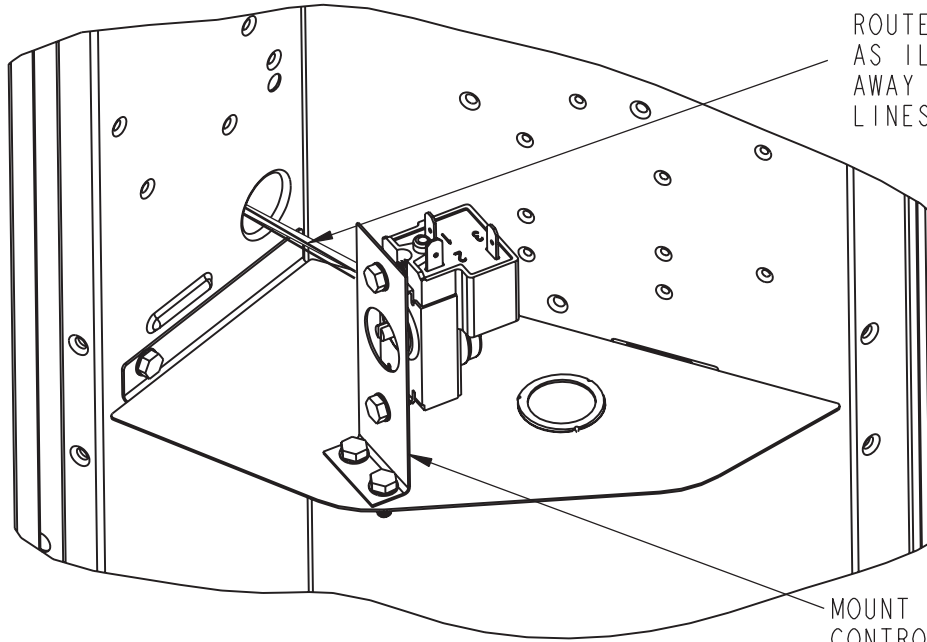
9. Replace control compartment panel and access panel on unit, reverse procedure used to remove these items.
10. Reconnect power that was disconnected in step one (1).



Installer's Guide

③

OUTDOOR THERMOSTAT INSTALLATION IN CONTROL BOX



ROUTE CAPILLARY TUBE AS ILLUSTRATED. (DRESS AWAY FROM ANY REFRIGERANT LINES AND METAL SURFACES.)

MOUNT THERMOSTAT ON CONTROL BOX FLOOR AS ILLUSTRATED USING SCREWS PROVIDED

From Dwg. 21B152851 Rev.0

About Trane and American Standard Heating and Air Conditioning

Trane and American Standard create comfortable, energy efficient indoor environments for residential applications. For more information, please visit www.trane.com or www.americanstandardair.com

The manufacturer has a policy of continuous data improvement and it reserves the right to change design and specifications without notice. We are committed to using environmentally conscious print practices.