

Installer's Guide

Vertical Discharge Air Kits BAYVDTA003 & BAYVDTA004

ALL phases of this installation must comply with NATIONAL, STATE AND LOCAL CODES

IMPORTANT — This Document is **customer property** and is to remain with this unit. Please return to service information pack upon completion of work.

SEE FIGURES 1 AND 2 INSIDE

- ① REMOVE WEATHERGUARD TOP
Remove Four screws (Open electrical box, disconnect and free all fan motor wires)

- ② REMOVE "X" BRACE FROM TOP COVER
Remove Four screws (includes motor, fan, conduit and wiring)

- ③ REMOVE "X" BRACE FROM MOTOR
Remove and save Four screws

- ④ REMOVE TOP COVER
Remove and save eight screws

- ⑤ INSTALL NEW TOP COVER
Using the eights screws from step 4

- ⑥ MOUNT FAN MOTOR TO NEW GRILLE
(including fan, conduit and wiring)

- ⑦ INSTALL NEW GRILLE IN TOP COVER
(route and reconnect fan motor wiring)

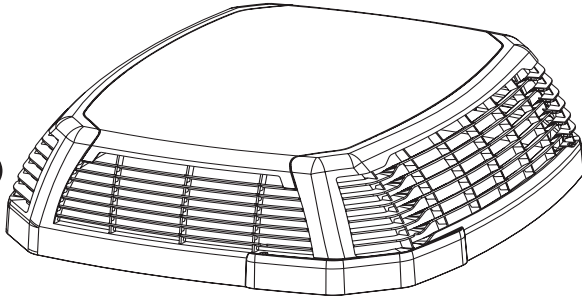
- ⑧ SNAP MOTOR COVER ON NEW GRILLE
Align per FIGURE 3

FIGURE 1 (BEFORE)

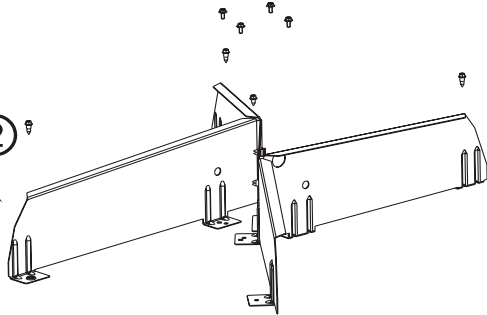
WEATHERGUARD TOP

REMOVE

①

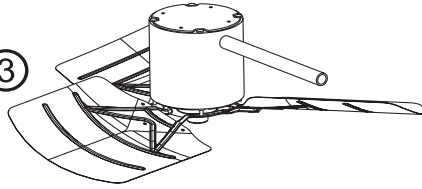


②



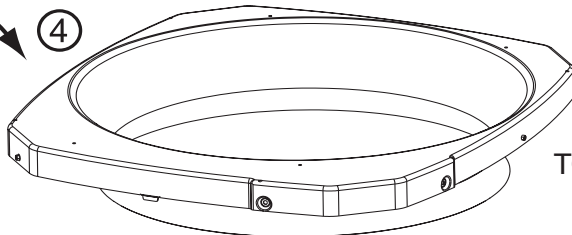
"X" BRACE

③



KEEP
(MOTOR, FAN, CONDUIT)

④



TOP COVER

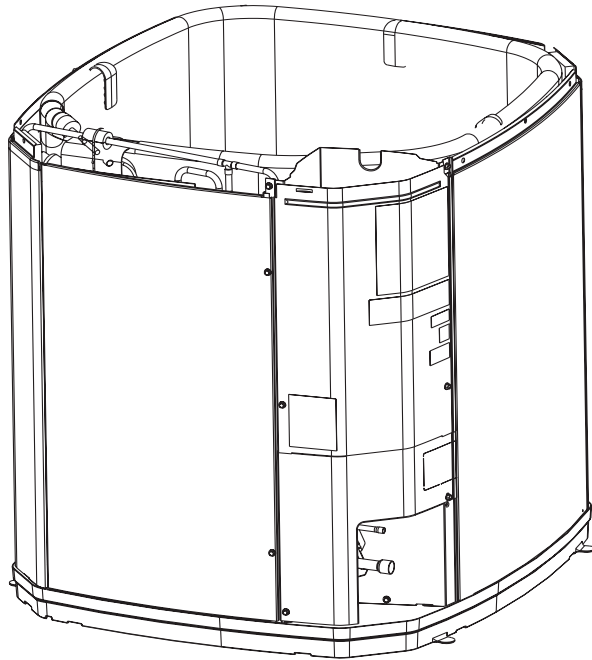


FIGURE 2 (AFTER)

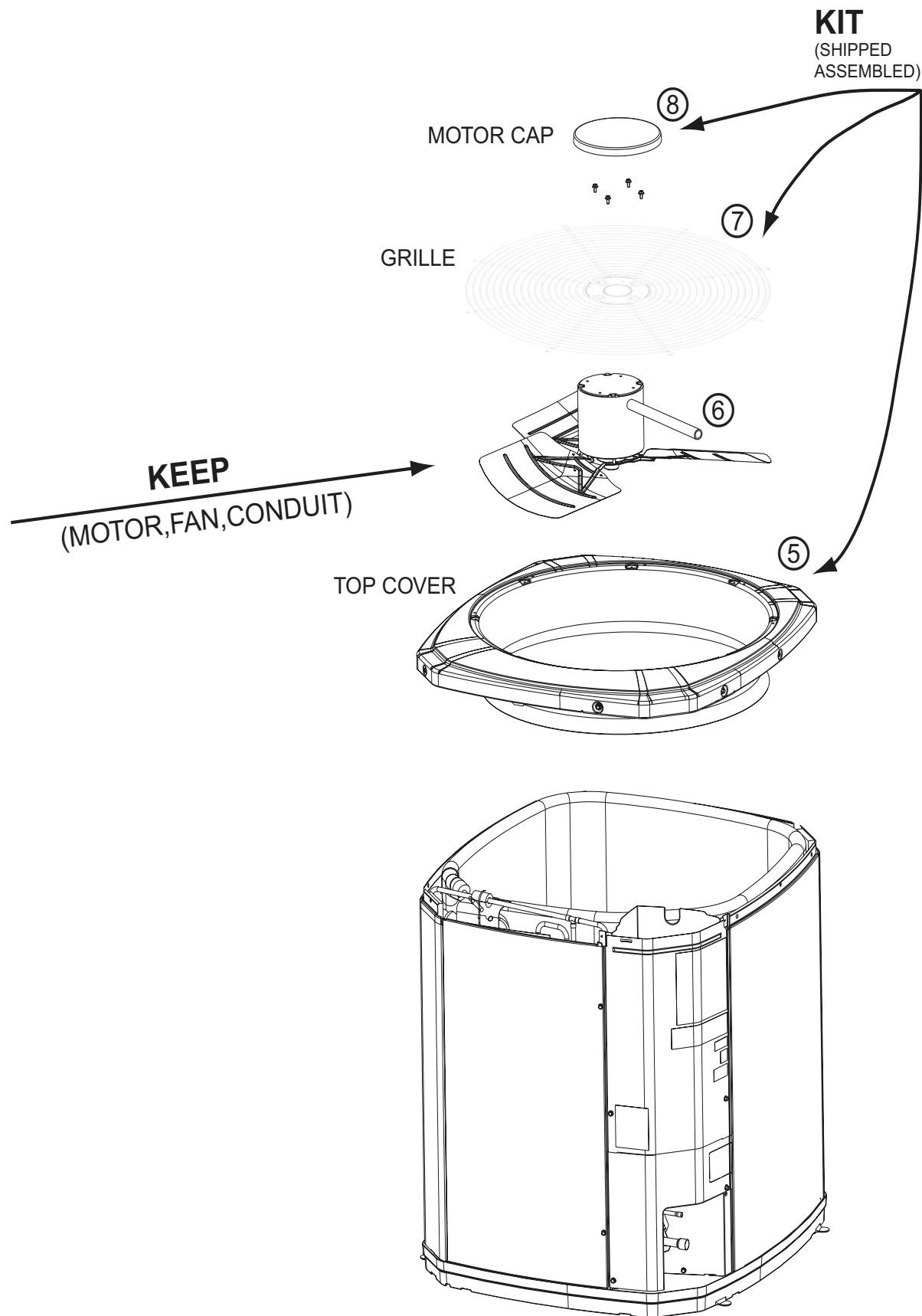
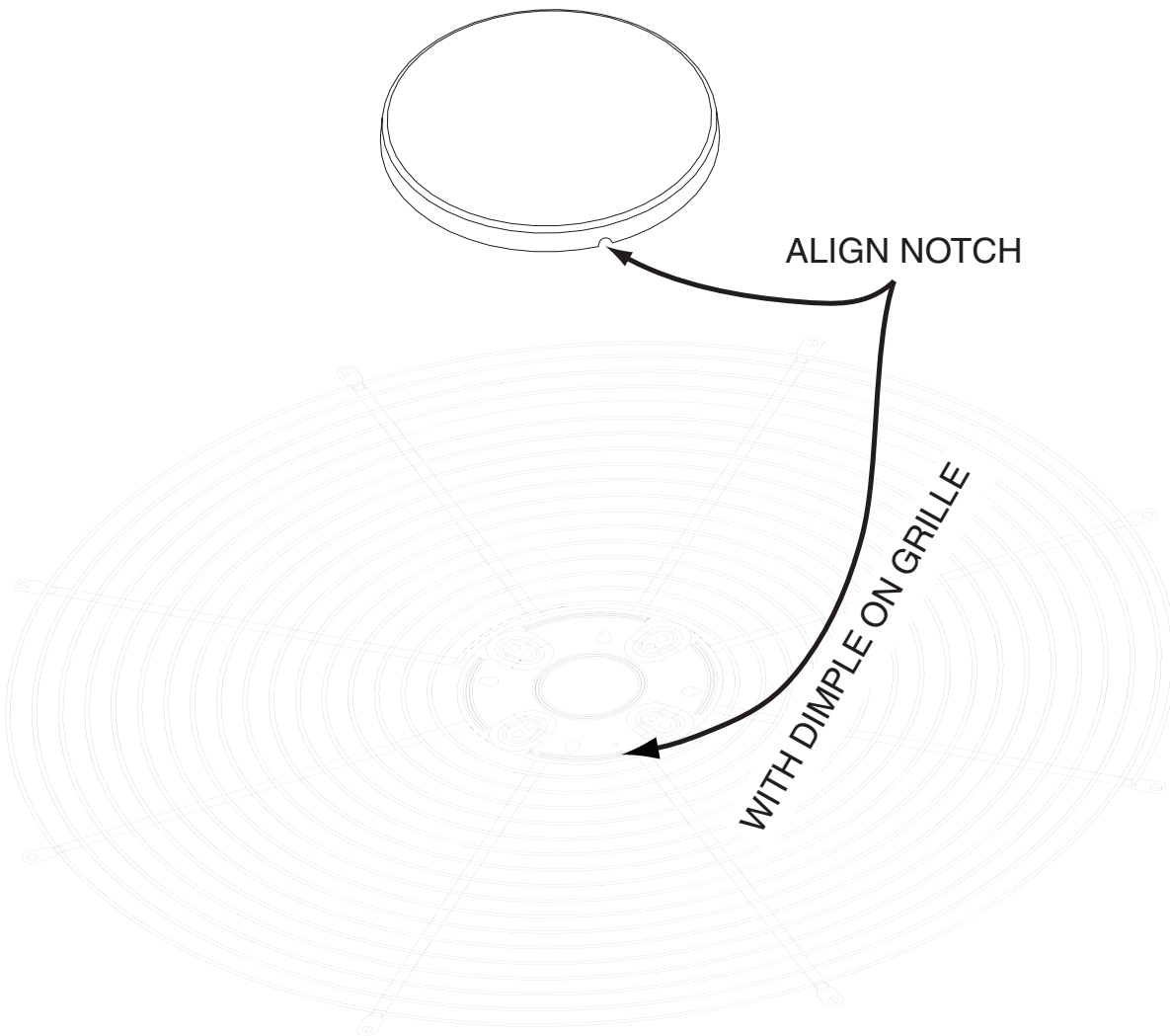


FIGURE 3



**NOTE: MOTOR COVER FITS ONLY ONE WAY
ALIGN THE NOTCH IN THE MOTOR COVER WITH THE DIMPLE ON THE GRILLE**

About Trane and American Standard Heating and Air Conditioning
Trane and American Standard create comfortable, energy efficient indoor environments for residential applications.
For more information, please visit www.trane.com or www.americanstandardair.com

The manufacturer has a policy of continuous data improvement and it reserves the right to change design and specifications without notice. We are committed to using environmentally conscious print practices.