

INSTALLER'S GUIDE

18-GJ73D1-3

ALL phases of this installation must comply with
NATIONAL, STATE AND LOCAL CODES

Blower Panel and Coil Panel Retrofit Kit:

PNL31523 for 17.5" wide two piece cabinet
PNL31522 for 17.5" wide one piece cabinet
PNL31524, PNL31525 for 21.5" wide cabinet
PNL31526, PNL31527 for 23.5" wide cabinet
For TAM8 only:
PNL31528 for 17.5" wide cabinet
PNL31529 for 21.5" wide cabinet
PNL31530, PNL31531 for 23.5" wide cabinet

Fits Models:

Hyperion™ and
ForeFront™
Air Handlers

IMPORTANT—This Document is customer property and is to remain with this unit. Please return to service information pack upon completion of work.

Section 1. Safety Information

SAFETY HAZARD! This information is intended for use by individuals possessing adequate backgrounds of electrical and mechanical experience. Any attempt to repair a central air conditioning product may result in personal injury and/or property damage. The manufacturer or seller cannot be responsible for the interpretation of this information, nor can it assume any liability in connection with its use.

Note: This kit is certified to UL 1995.

Note: Illustrations are typical for the 2 piece B cabinet and the one piece A cabinet. Your model may vary slightly.

SAFETY HAZARD! Sharp Edge Hazard. Be careful of sharp edges on equipment or any cuts made on sheet metal while installing or servicing. Personal injury may result.

Important: Due to the unique design of this unit, which allows the electrical wiring to be routed within the insulation, do not screw, cut, or otherwise puncture the unit cabinet in any location other than the ones illustrated in this Installer's Guide or in an approved accessory's Installer's Guide.

Section 2. General Information

The blower panel and coil panel kit is a retrofit kit used to replace the blower and coil panels and reduce air leakage around the coil and blower panels.

Open and inspect contents for damage or missing items. A list of items in the kit is listed to the right. Kits will vary slightly by cabinet size.

Tools Needed

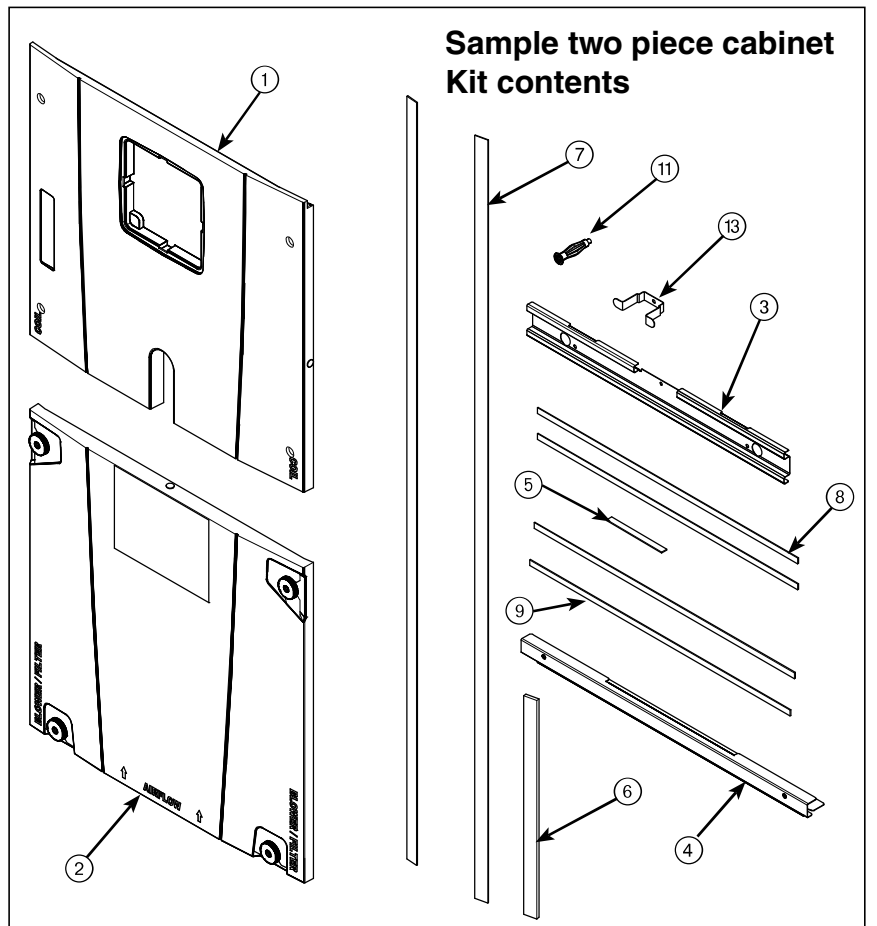
- 1 – Pilot Hole Punch
- 1 – Screw Driver
- 1 – Nut Driver
- 1 – Cleaning Wipe
- 1 – Hammer
- 1 – Power Drill
- 1 – 13/32" Drill Bit

General Information

Each kit will contain:

Item	Qty	Description
1	1	Coil Panel Assembly
2	1	Blower Panel Assembly
3	1	Blower-Coil Seal Bar Assm.
4	1	Lower Crossbar
5	1	1/16" Seal Strip
6	1	1/4" Seal Strip
7	2	1/8" Seal Strip - vert coil
8	2	1/8" Seal Strip - vert blower
9	2	1/8" Seal Strip - horizontal
		Document Package
10	1	Installer's Guide
11	2*	Hollow Wall Screw Anchor (Molly Bolt)
12	3	Self Tapping Screw
13	1	Coil Door Bracket

* Larger cabinet kits may include 4 anchors

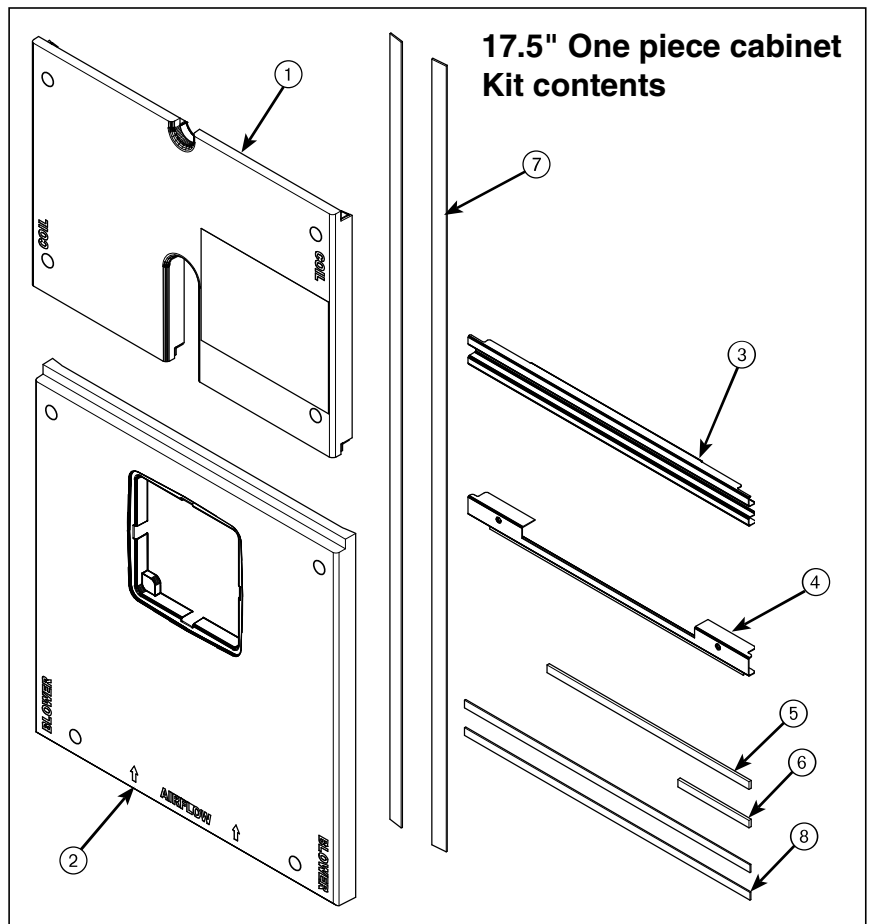


General Information

Each kit will contain:

Item	Qty	Description
1	1	Coil Panel Assembly
2	1	Blower Panel Assembly
3	1	Blower - Seal Bar Assm.
4	1	Lower Crossbar
5	1	1/4" Seal Strip - plate face
6	1	1/4" Seal Strip - plate bottom
7	2	1/8" Seal Strip - vertical
8	2	1/8" Seal Strip - horizontal
		Document Package
9	1	Installer's Guide
10	2	Self Tapping Screw

For One piece cabinet installation, skip to Section 5



Section 3. Installation Considerations

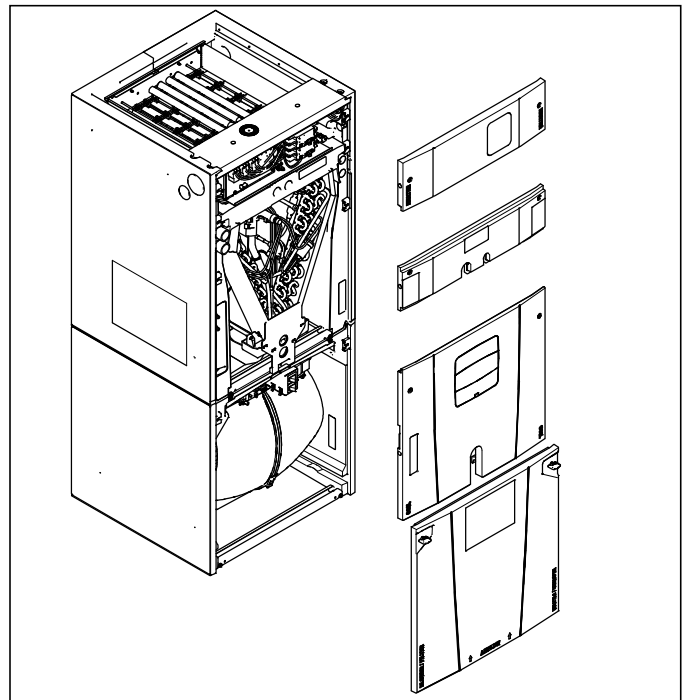
Important: Depending on the age of the unit, a new seal plate may be needed to ensure that the air handler meets leak requirements.

Important: If your air handler has quarter turn screws, a threaded fastener kit is also needed to complete new panel installation.

Important: Kit only comes with new coil and blower panels. Line set panel and heater panel must be ordered separately if desired.

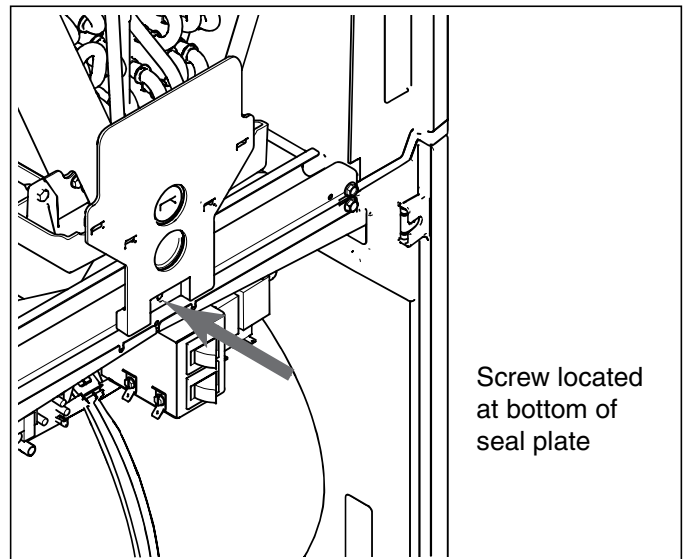
Section 4. Installation on Two Piece Cabinet

STEP 1 - Loosen thumb screws then remove the blower panel. Remove all other original door panels from unit. Retain all screws. See Installer's Guide for instructions if needed.

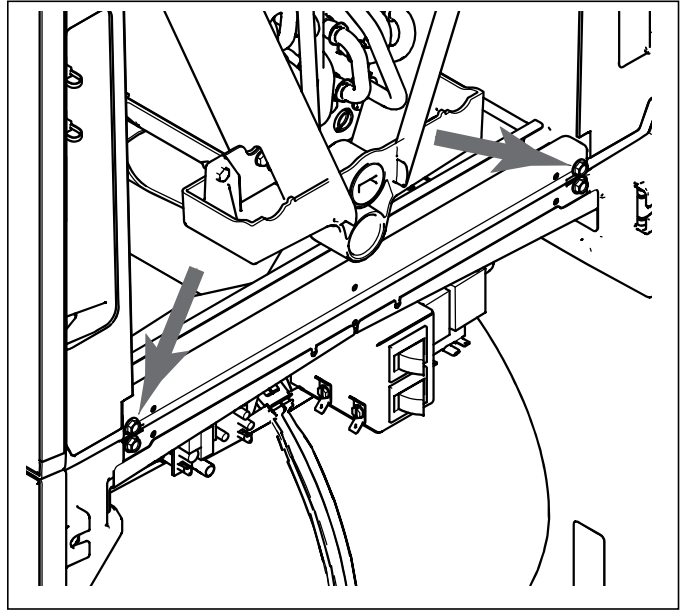


STEP 2 - Remove screw from seal plate then remove the seal plate from the drain pan. Do not discard screw or seal plate.

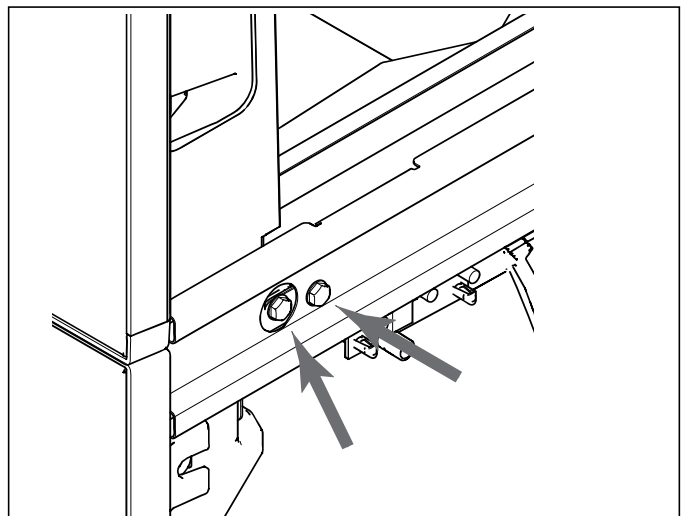
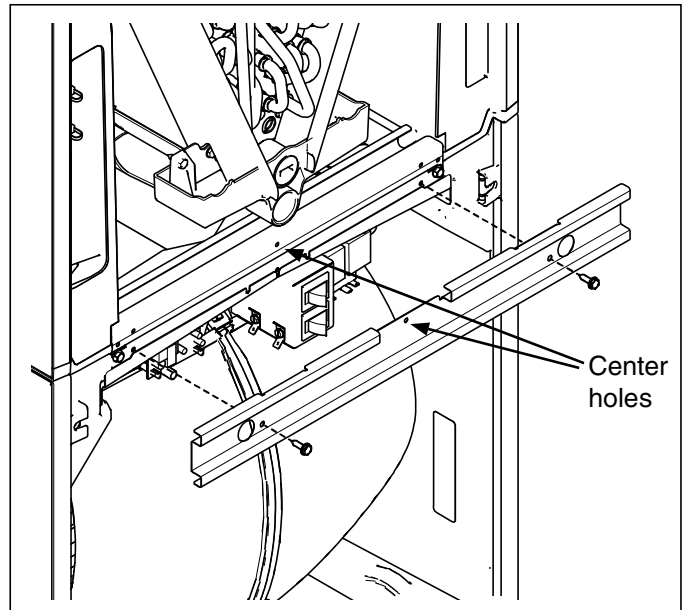
Note: The screw will be used to install the coil door bracket after the coil door is installed.



STEP 3 - Remove 2 upper screws from crossbar.



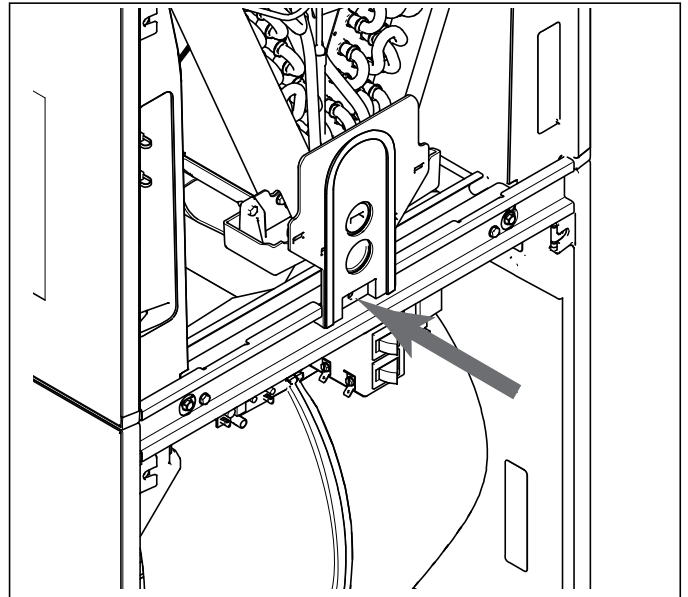
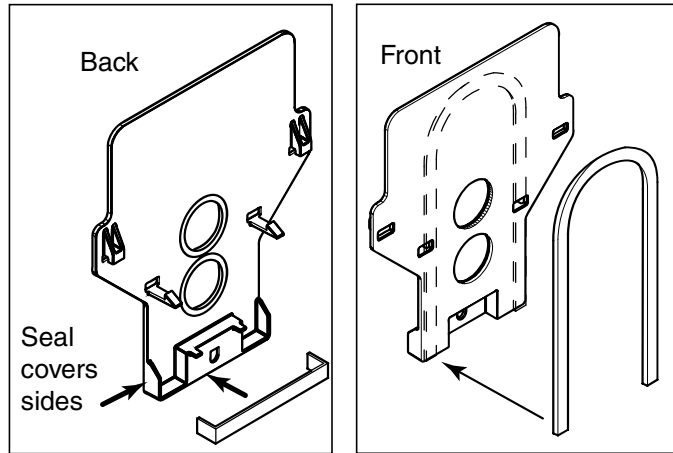
STEP 4 - Position new Blower-Coil Seal bar assembly (Item 3) using screw embossments on cabinet in conjunction with screws holding previous crossbar in place. Secure using two self-tapping screws. Use center holes to help align seal bar.



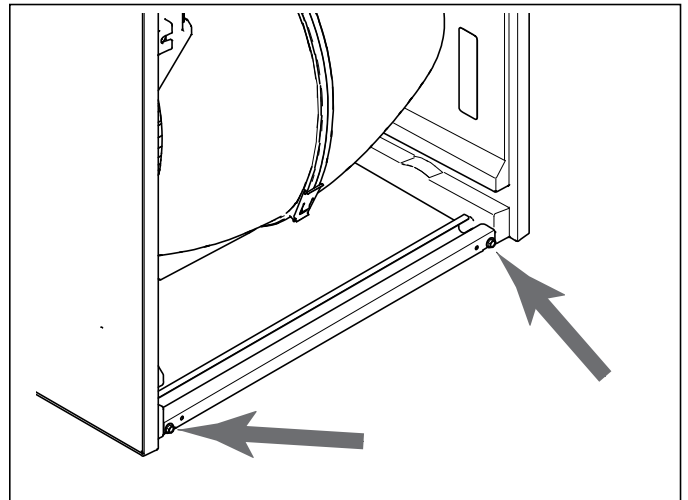
STEP 5 - Add 1/16" gasket (Item 5) to back of the seal plate as shown. The seal must wrap around the two sides.

STEP 6 - Add 1/4" gasket (Item 6) to front of seal plate as shown.

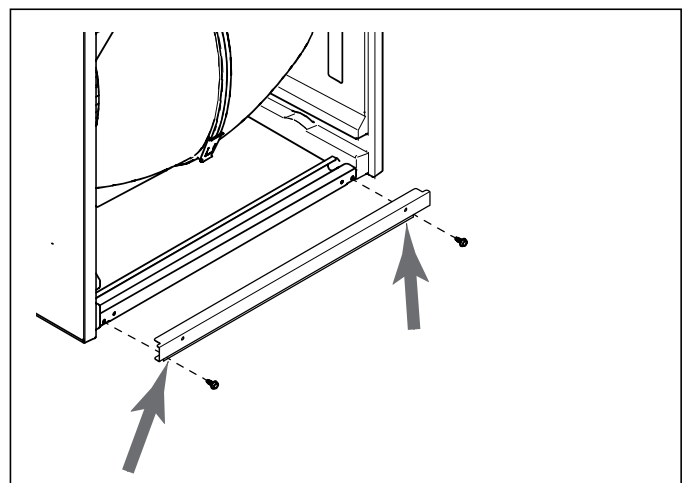
STEP 7 - Put the seal plate in place. Do not screw in at this time.



STEP 8 - Remove two existing screws that hold the lower crossbar part in the cabinet. Retain screws for next step.

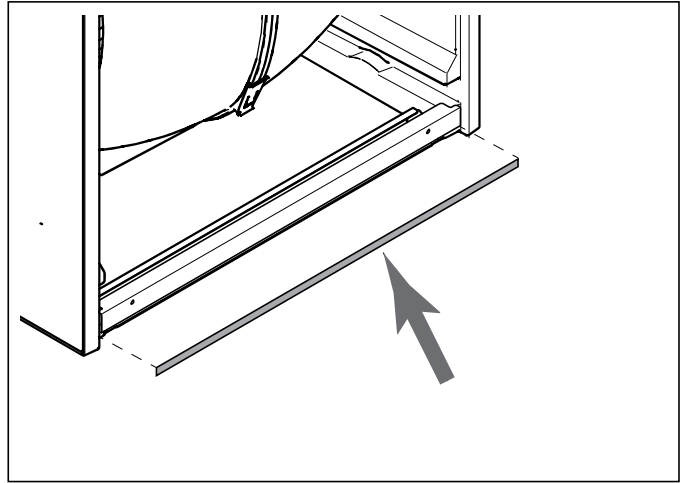


Install new lower crossbar (Item 4) over current crossbar in blower section of cabinet and replace screws.



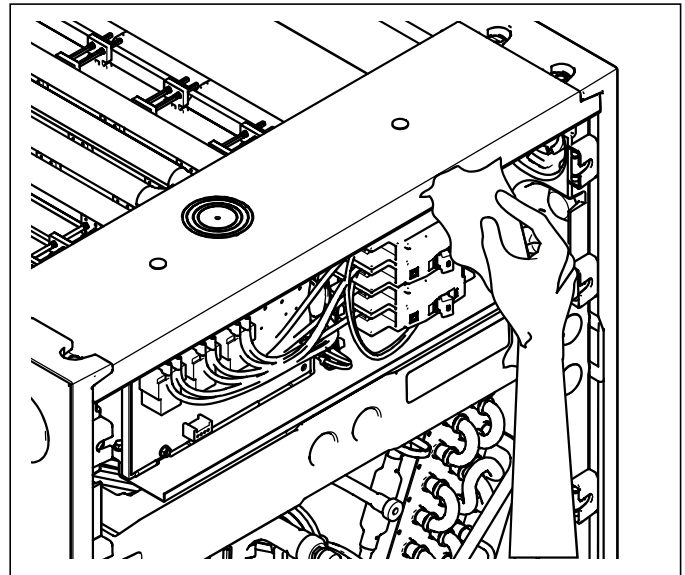
INSTALLER'S GUIDE

STEP 9 - Place 1/8" Seal Strip (Item 9) across lower crossbar. Locate at bottom edge of crossbar below screw holes.

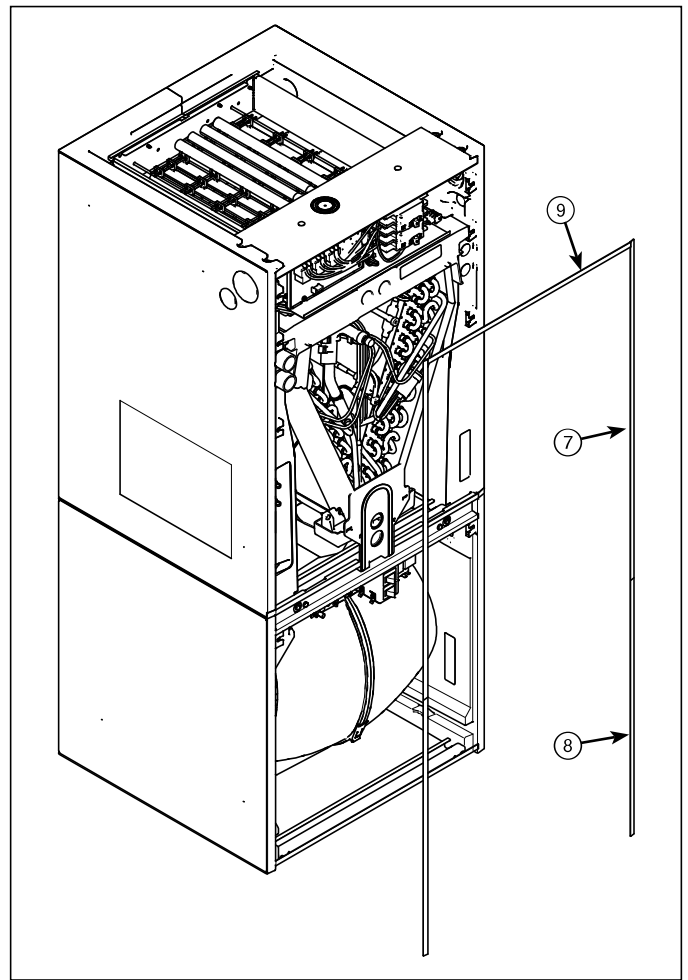


Note: If applicable, remove any old door seal strips.

STEP 10 - Clean surface of cabinet that outer edges of doors contact using an alcohol wipe.

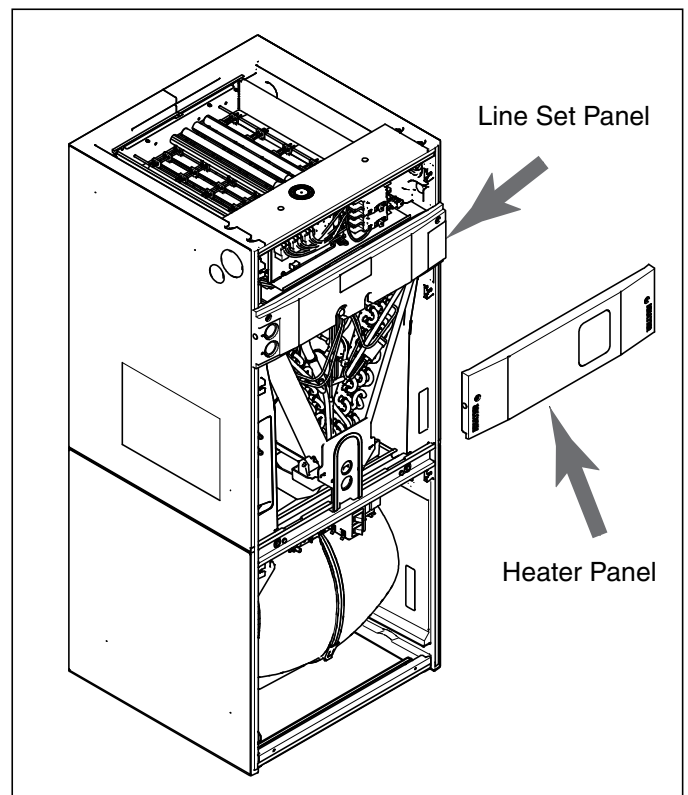


STEP 11 - Place 1/8" Seal Strip around entire perimeter of cabinet where the outer edges of the doors contact the cabinet. (Items 7, 8, and 9)



STEP 12 - Reinstall Line Set (fixed) Panel

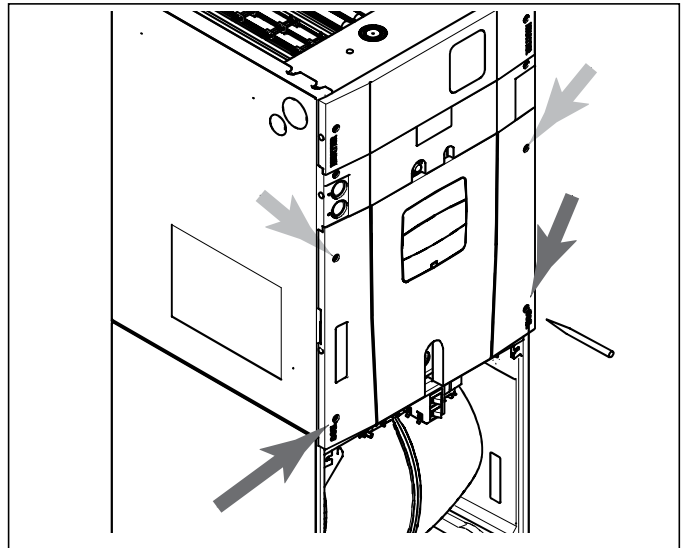
STEP 13 - Install Heater Panel



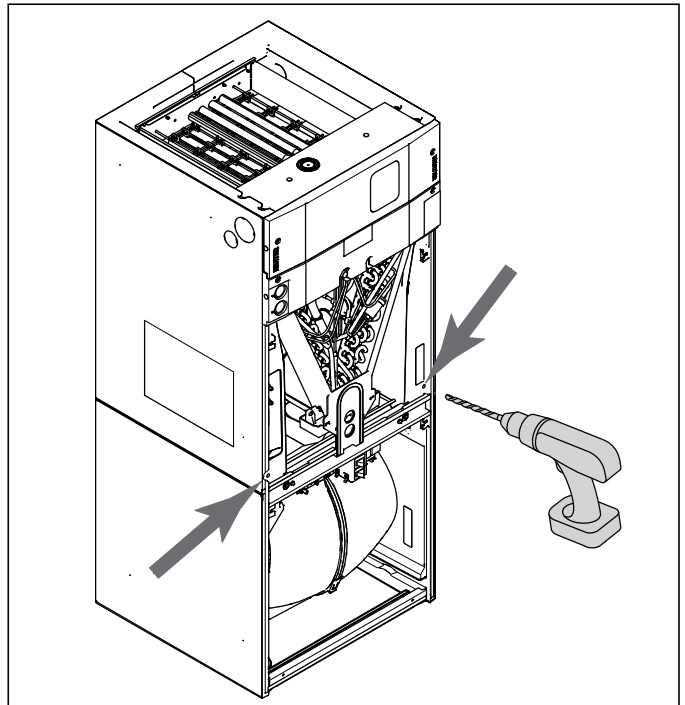
STEP 14 - Put new coil panel into position, making sure that the coil panel mounts engage into the blower coil seal bar. Line up the top two screw holes and use existing screws to mount the coil panel back into place.

Use a hole punch to locate where hollow wall screw anchors should be installed by inserting the punch through the coil panel screw holes.

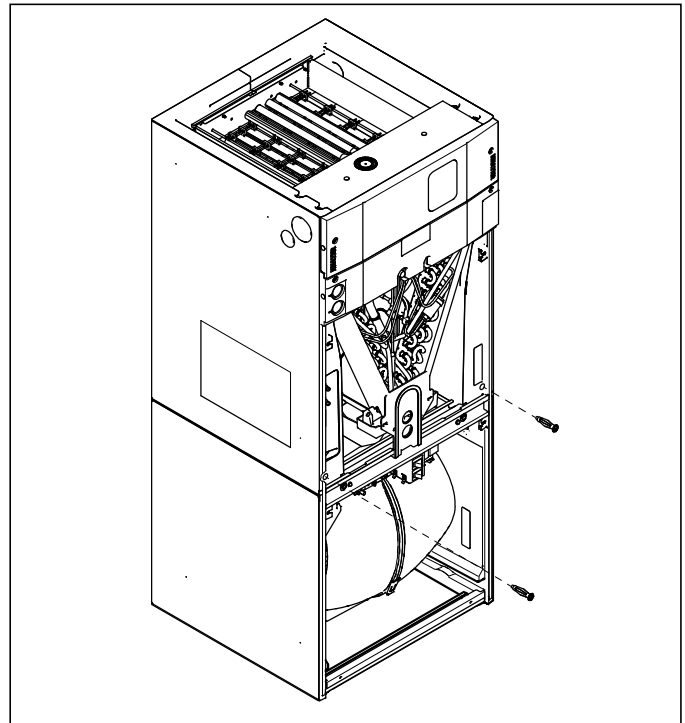
Note: *The largest cabinet will have 4 additional screw holes in the new coil door and all other models will have 2 additional screw holes in the new coil door..*



STEP 15 - Remove the coil panel and drill pilot holes using 13/32" (.406") size bit.



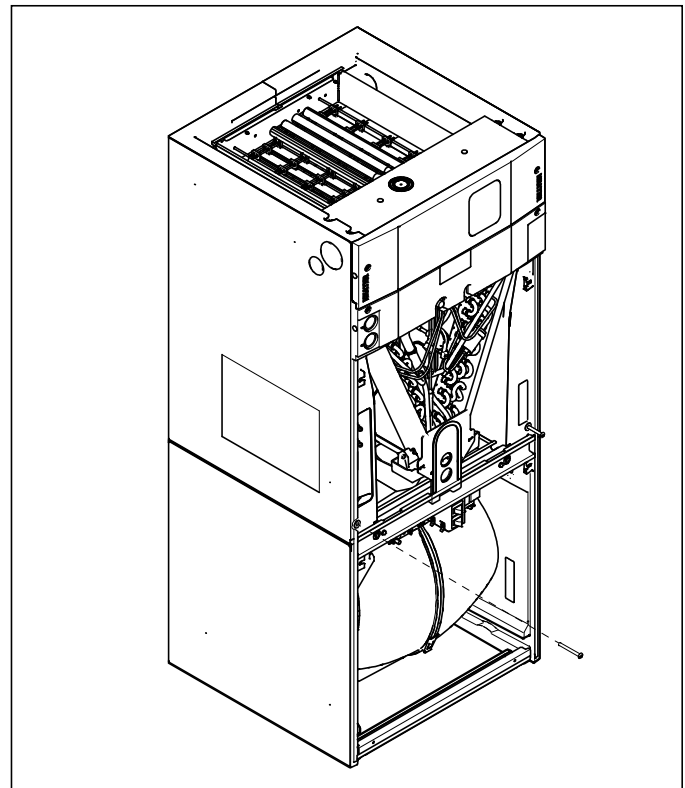
STEP 16 - Leaving their screws in place, lightly hammer the two (or four) hollow wall screw anchors provided into place.



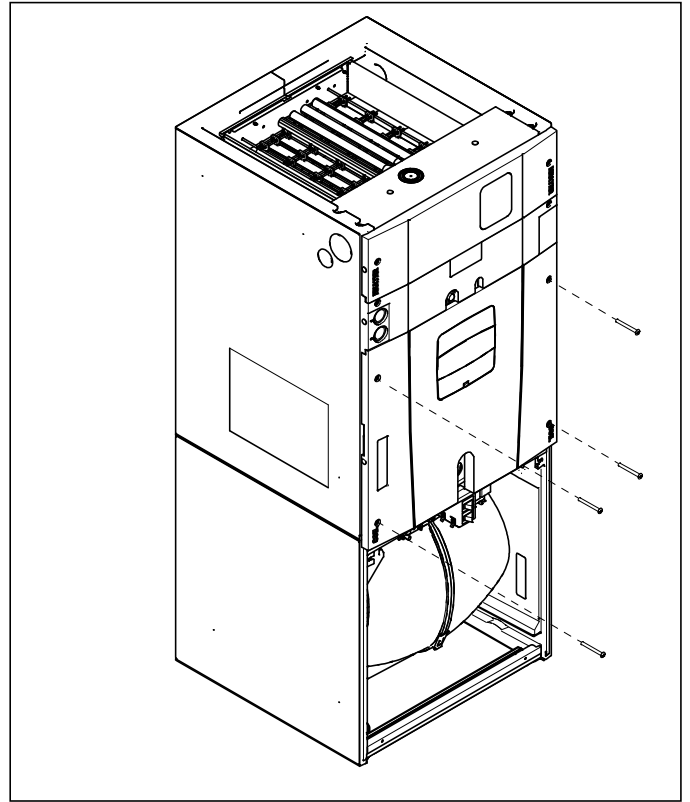
Note: Be sure support is provided to air handler while setting hollow wall screw anchors when air handler is in horizontal position.

STEP 17 - With powered screw driver's torque setting on low, set hollow wall screw anchors by completely tightening screws into anchors.

STEP 18 - Remove screws from anchors.

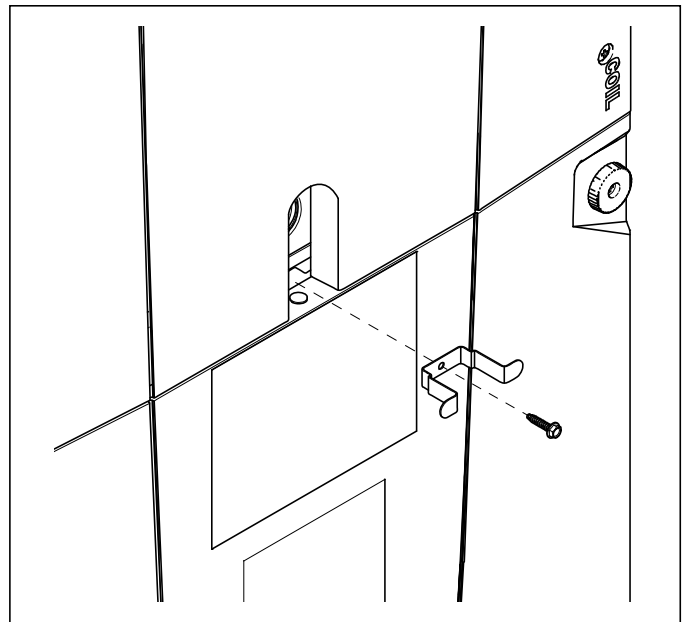


STEP 19 - Install new coil panel using screws removed in Step 1 and the screws removed from the hollow wall anchors removed in Step 18. The screws removed in Step 1 should be installed in the top two positions.

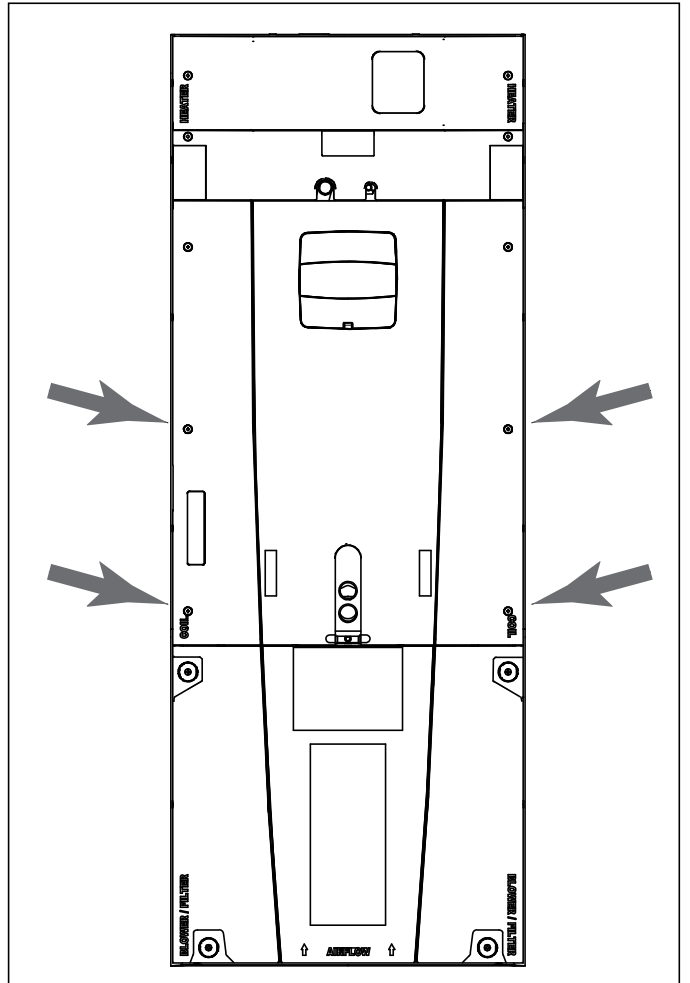
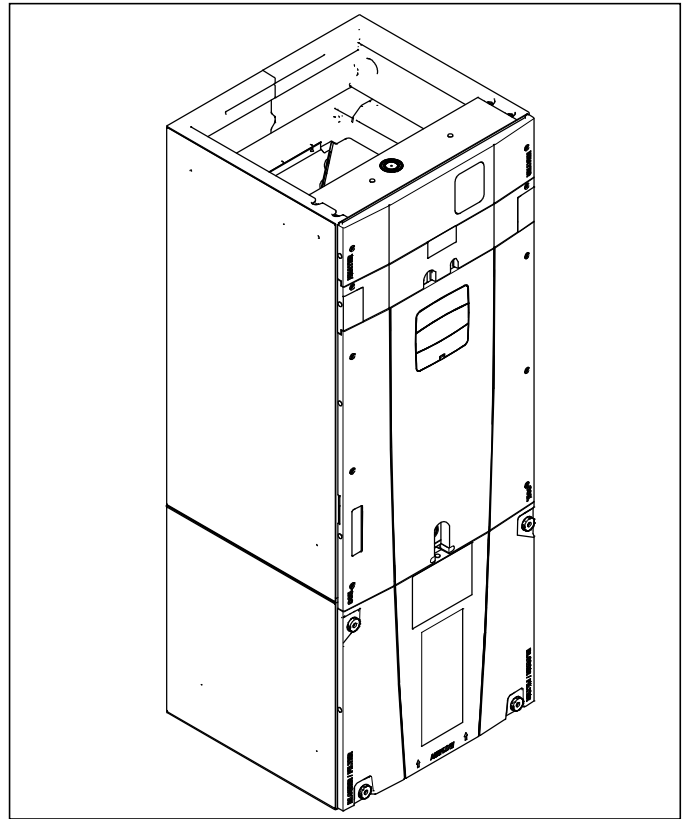


STEP 20 - Install new blower panel using 4 thumb screws included with panel.

STEP 21 - Install the new coil door bracket into position using the screw from Step 2 to secure.

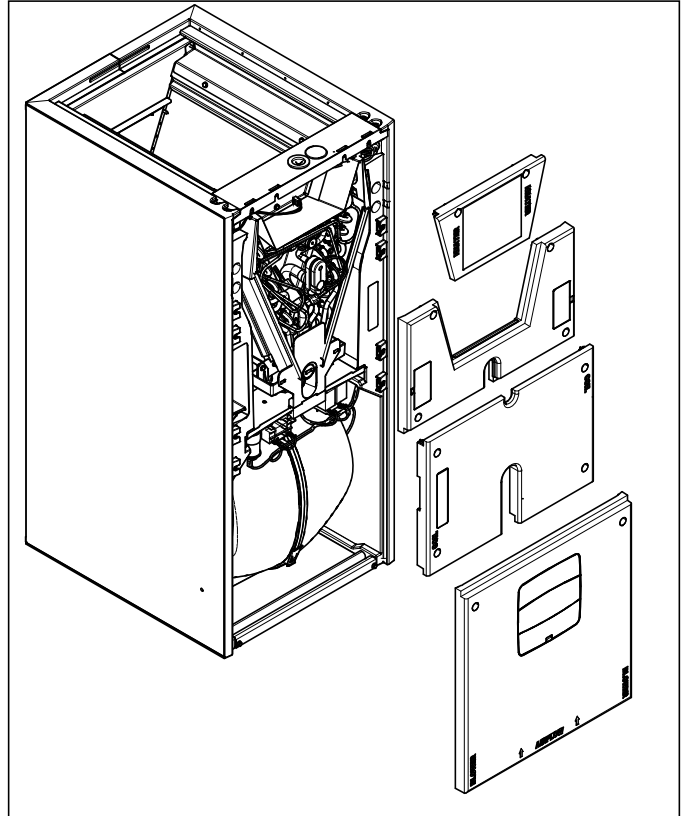


Illustrations show the final assembly of the large cabinet with four new attachment screws. Additional hollow wall mount anchors are included with kits for this cabinet.

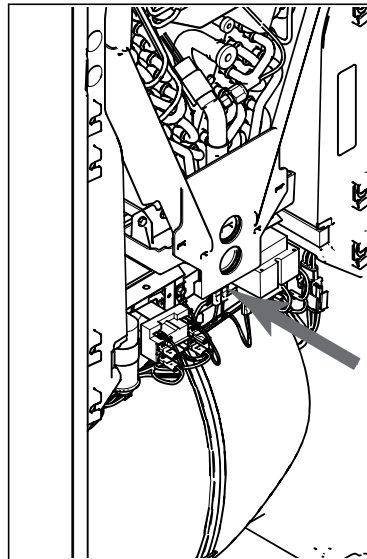


Section 5. Installation on One Piece Cabinet

STEP 1 - Remove all original door panels from unit.
Retain all screws. See Installer's Guide for instructions if needed.

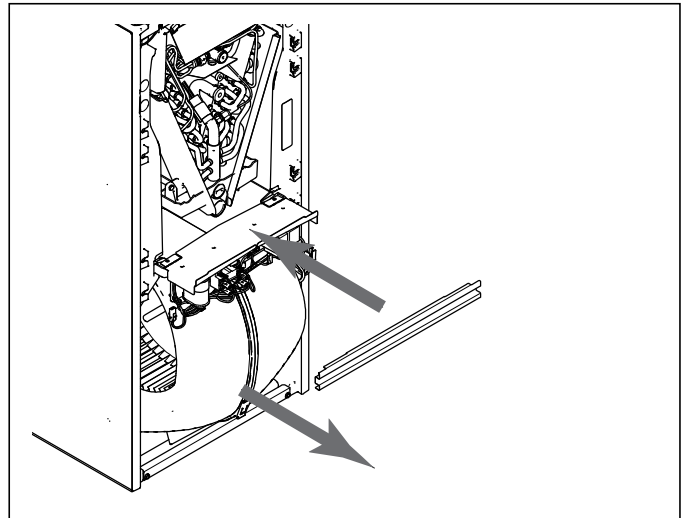


STEP 2 - Remove the seal plate. Retain for later use.



Screw located
at bottom of
seal plate

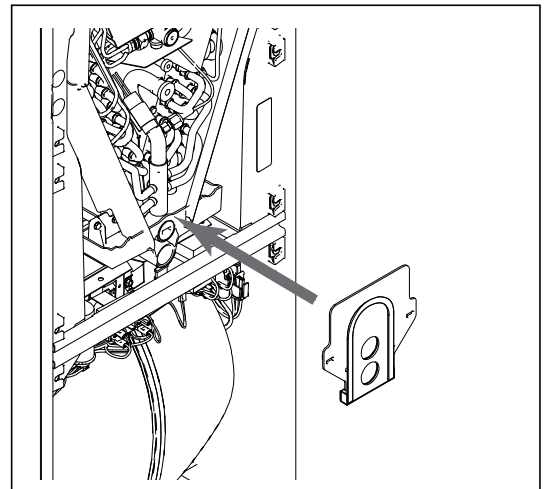
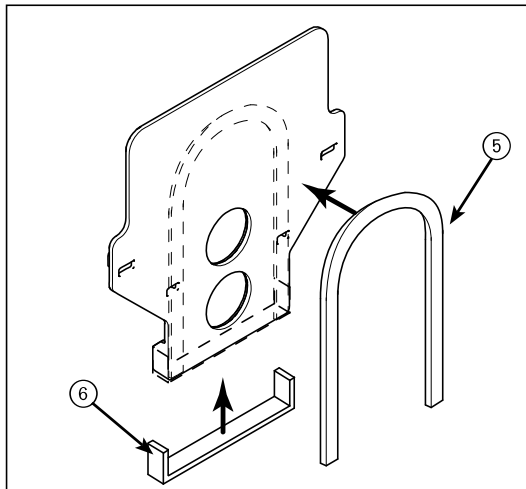
STEP 3 - Partially slide blower assembly out of cabinet. Interface Blower-Coil Seal Bar flange with Blower control panel flange and slide assembly back into the cabinet to locate the Blower-Coil Seal Bar (Item 3).



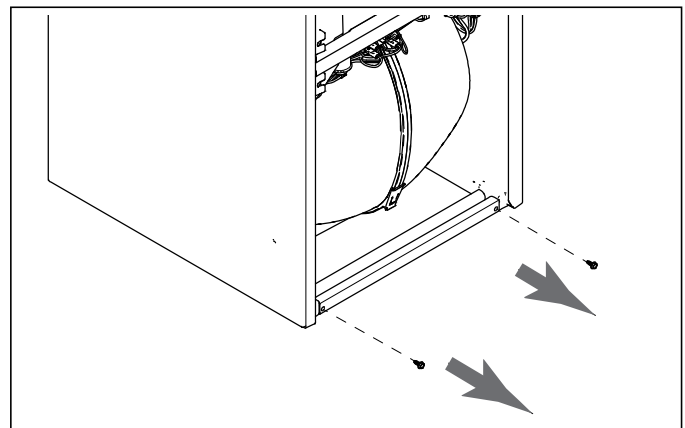
STEP 4 - Add 1/4" gasket (Item 6) to the bottom of the seal plate.

STEP 5 - Add 1/4" gasket (Item 5) to the front of the seal plate as shown.

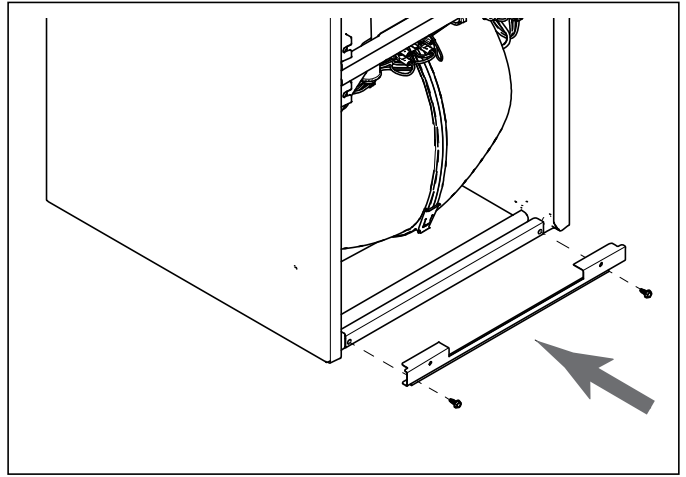
STEP 6 - Put the seal plate back into its original position.



STEP 7 - Remove two existing screws (retain) that hold the lower crossbar part in the cabinet but do not remove the crossbar.

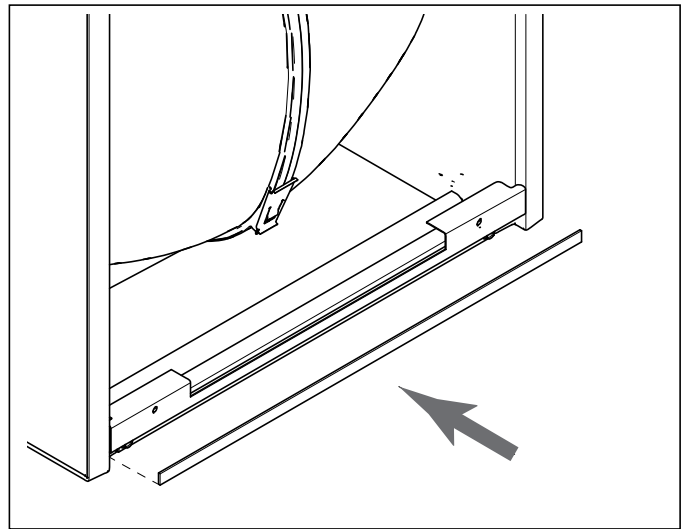


STEP 8 - Install new lower crossbar (Item 4) over current crossbar in blower section of cabinet. Use the screws removed in the previous step.

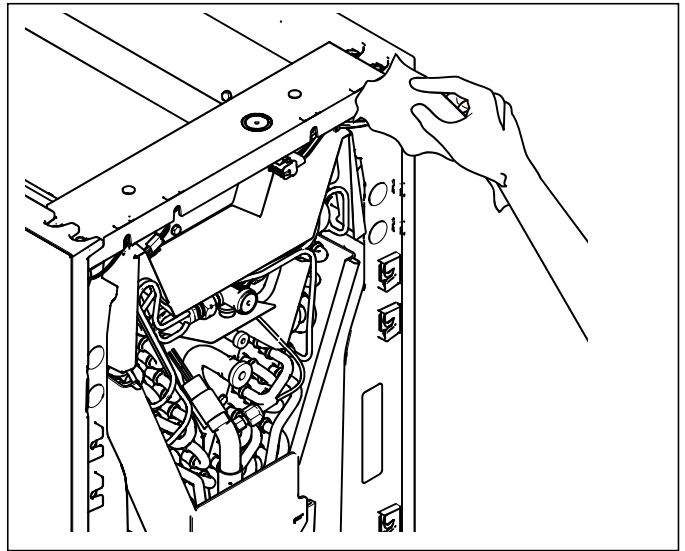


STEP 9 - Place 1/8" Seal Strip (Item 8) across lower crossbar. Locate at bottom edge of crossbar below screw holes.

Note: When handling seal strip, be sure to cut seal strip pieces to fit as needed. Do not pull the strip lengthwise to break from roll.

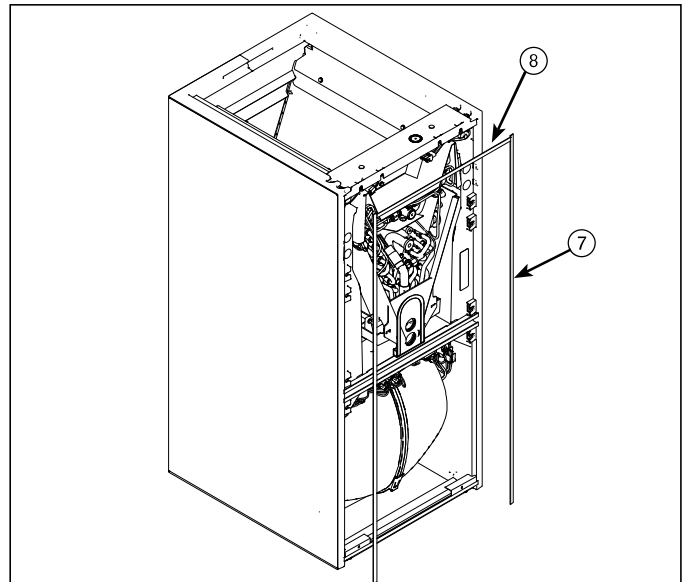


STEP 10 - Clean surface of cabinet that outer edges of doors contact using an alcohol wipe



STEP 11 - Place 1/8" Seal Strip around entire perimeter of cabinet where the outer edges of the doors contact the cabinet. (Items 7 and 8)

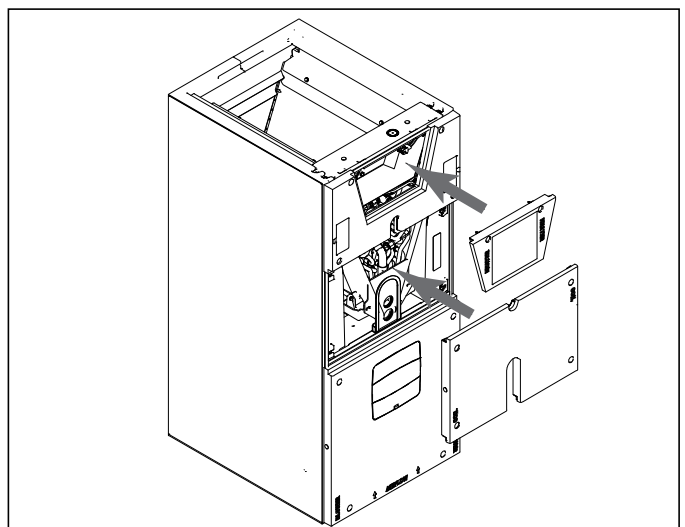
Note: When handling seal strip, be sure to cut seal strip pieces to fit as needed. Do not pull the strip lengthwise to break from roll.



STEP 12 - Install the new blower panel.

STEP 13 - Install the new coil panel.

STEP 14 - Install the Heater Panel.



Trane
6200 Troup Highway
Tyler, TX 75707

Since the manufacturer has a policy of continuous product and product data improvement, it reserves the right to change design and specification without notice.