

# INSTALLER'S GUIDE

18-GJ70D1-1A-EN

ALL phases of this installation must comply with  
NATIONAL, STATE AND LOCAL CODES

## Acoustic Baffle Kit:

BAYBAFKT175A for 17.5" wide cabinet

BAYBAFKT215A for 21.5" wide cabinet

BAYBAFKT235A for 23.5" wide cabinet

Fits Models:

Hyperion™ and

ForeFront™

Air Handlers

**IMPORTANT** — This Document is customer property and is to remain with this unit. Please return to service information pack upon completion of work.

## Section 1. Safety Information

### ⚠ WARNING

**SAFETY HAZARD!** This information is intended for use by individuals possessing adequate backgrounds of electrical and mechanical experience. Any attempt to repair a central air conditioning product may result in personal injury and/or property damage. The manufacturer or seller cannot be responsible for the interpretation of this information, nor can it assume any liability in connection with its use.

**Note:** This kit is certified to UL 1995.

### ⚠ WARNING

**SAFETY HAZARD!** Sharp Edge Hazard. Be careful of sharp edges on equipment or any cuts made on sheet metal while installing or servicing. Personal injury may result.

**Important:** Due to the unique design of this unit, which allows the electrical wiring to be routed within the insulation, do not screw, cut, or otherwise puncture the unit cabinet in any location other than the ones illustrated in this Installer's Guide or in an approved accessory's Installer's Guide.

## Section 2. General Information

The Acoustic Baffle Kit is used to reduce the amount of sound coming from the blower operation. This kit is used when the air handler is mounted on a plenum with an intake grill or in closet applications. **For front and rear grills, the baffle will slope away from the return grill.** For side return grills the plenum may face slope either direction.

Open and inspect contents for damage or missing items. Kit Bills of Materials are listed to the right.

### BAYBAFKT175A

#### Qty Description

- 1 - D804683P01 Baffle (A size)
- 1 - Installer's Guide
- 4 - Screw, 10-16 B HXW 1/2" Long

### BAYBAFKT215A

#### Qty Description

- 1 - D804683P02 Baffle (B size)
- 1 - Installer's Guide
- 4 - Screw, 10-16 B HXW 1/2" Long

### BAYBAFKT235A

#### Qty Description

- 1 - D804683P03 Baffle (C size)
- 1 - Installer's Guide
- 4 - Screw, 10-16 B HXW 1/2" Long

## Section 3. Baffle Installation with Front Grill

Front grill on plenum or cabinet installations.

**STEP 1** - Remove power from the unit.

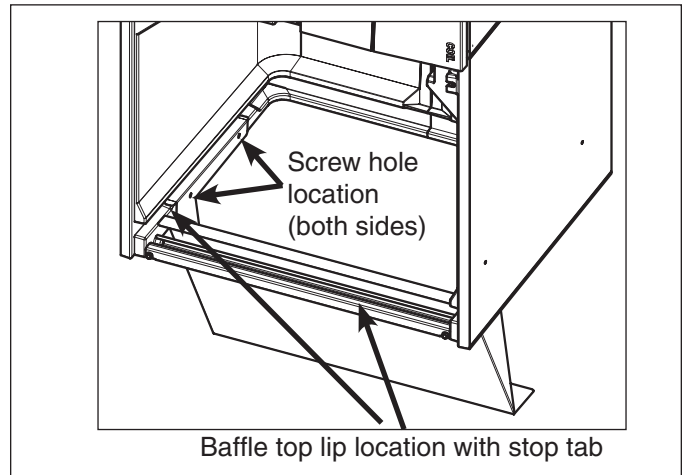
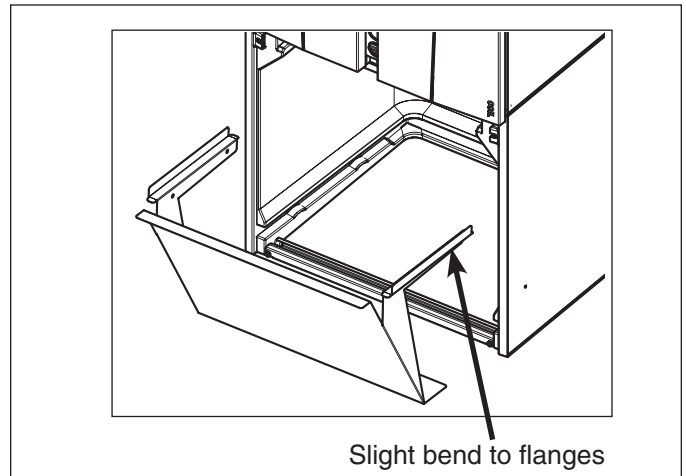
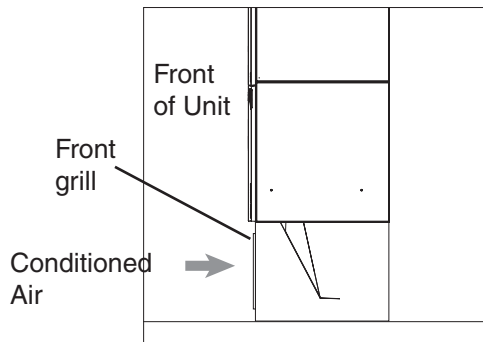
**STEP 2** - Remove blower assembly from cabinet.

**STEP 3** - Slightly press the flanges on the baffle that fit in the filter slot inward to get clearance to slide baffle into blower cabinet. Baffle must slope away from front grill.

**STEP 4** - Slide the baffle down the sloped inner wall of the filter slot and into position. The baffle should spring back into the filter slot.

**STEP 5** - Locate the top baffle lip just inside the bottom cross member. There are two tabs on the support arms that will stop the baffle on molded bumps in the filter slots.

**STEP 6** - Use the screw locations to fasten the baffle to the blower housing.

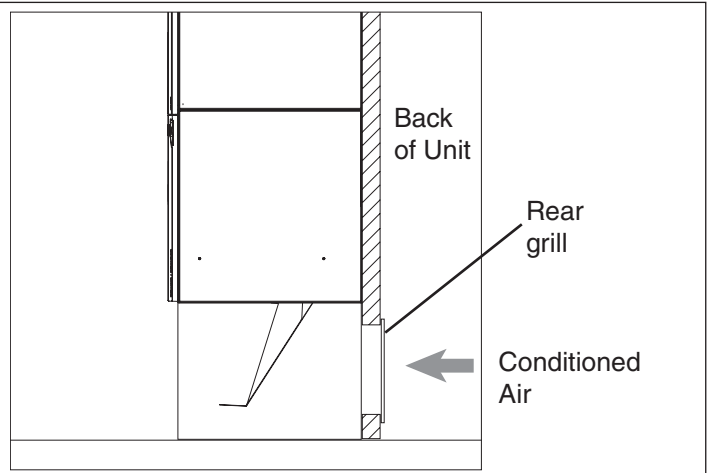


## Section 4. Baffle Installation with Rear Grill

Rear grill on plenum installations.

**STEP 1** - Position baffle so that it is sloping toward the front of the air handler.

**STEP 2** - Follow same installation procedure above to attach baffle to air handler. Baffle must slope away from rear grill.



## Section 5. Baffle Installation with Side Grill

For side grill applications the baffle may be installed either sloping toward front or toward the back.

### About Trane and American Standard Heating and Air Conditioning

Trane and American Standard create comfortable, energy efficient indoor environments for residential applications. For more information, please visit [www.trane.com](http://www.trane.com) or [www.americanstandardair.com](http://www.americanstandardair.com)

The manufacturer has a policy of continuous data improvement and it reserves the right to change design and specifications without notice. We are committed to using environmentally conscious print practices.