

# INSTALLER'S GUIDE

18-GJ40D1-1A-EN

ALL phases of this installation must comply with NATIONAL, STATE AND LOCAL CODES

## Supply Duct Flange Kit:

**BAYSFSCABAA** For GAF2 Series A Cabinet  
Air Handlers

Fits Models:

Hyperion™ and  
ForeFront™  
Air Handlers

**IMPORTANT** — This Document is customer property and is to remain with this unit. Please return to service information pack upon completion of work.

### Section 1. Safety Information

#### **⚠ WARNING**

**SAFETY HAZARD!** This information is intended for use by individuals possessing adequate backgrounds of electrical and mechanical experience. Any attempt to repair a central air conditioning product may result in personal injury and/or property damage. The manufacturer or seller cannot be responsible for the interpretation of this information, nor can it assume any liability in connection with its use.

#### **⚠ CAUTION**

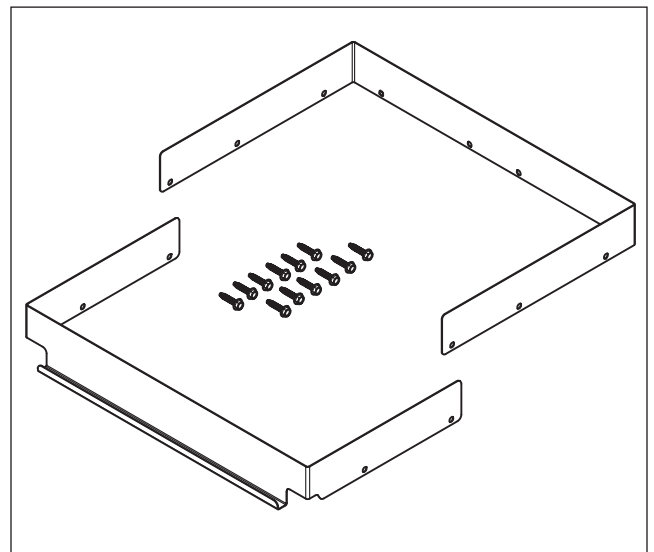
**SAFETY HAZARD!** Sharp Edge Hazard. Be careful of sharp edges on equipment or any cuts made on sheet metal while installing or servicing. Personal injury may result.

### Section 2. General Information

Open and inspect contents for damage or missing items.

Each kit will contain:

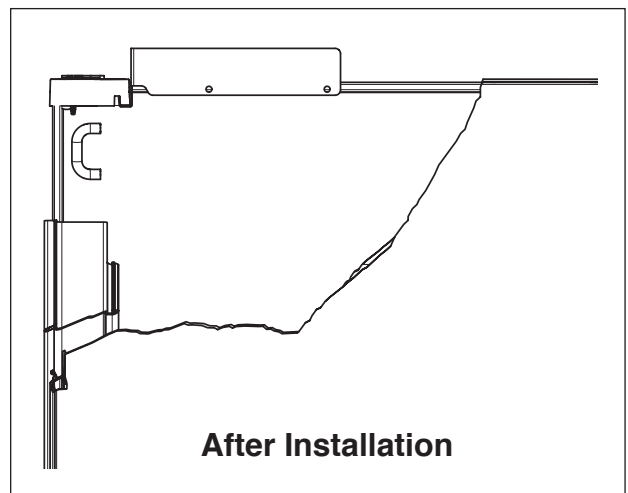
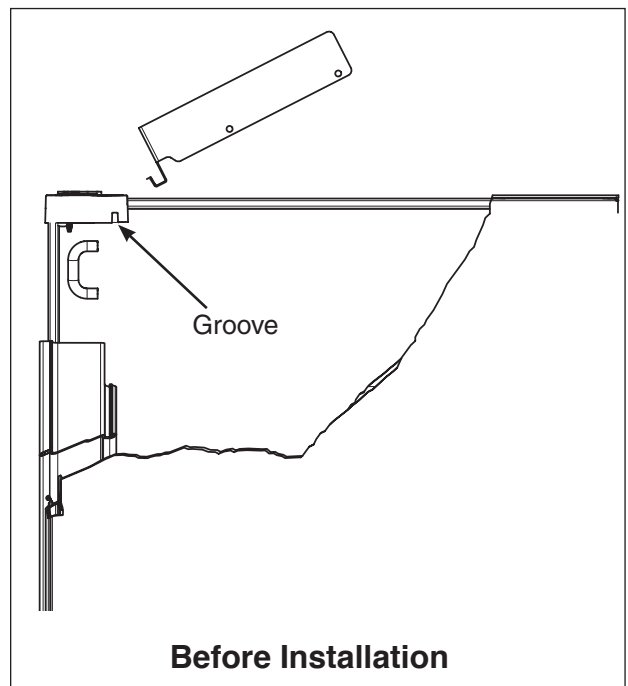
- 1 - Front Flange
- 1 - Rear Flange
- 12 - 5/16" x 7/8" long screws



## Section 3. Installation

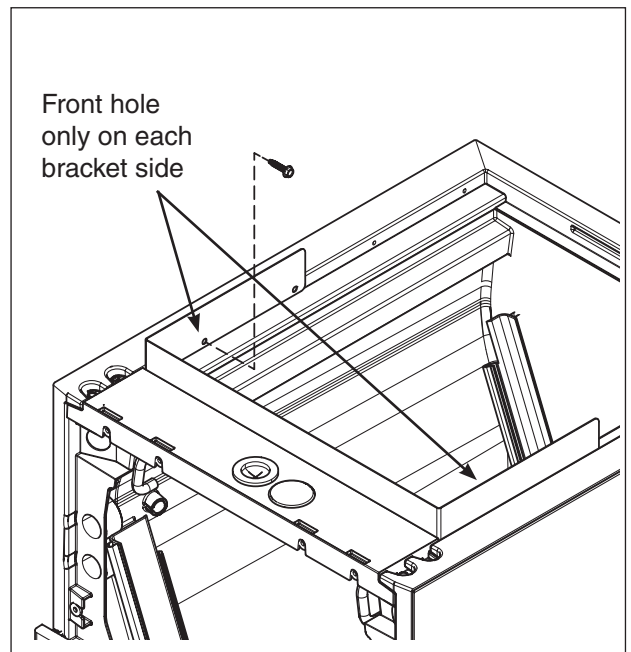
**IMPORTANT: Duct Flange Kits must be installed prior to heat strips.**

**Step 1** - Install front flange into the groove under the top panel. The flange should lock into a tight fit against the top plate.

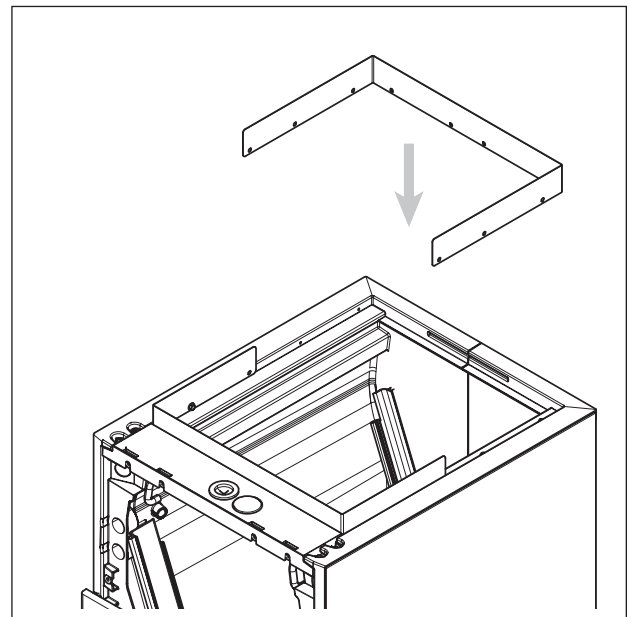


**Step 2** - Once the front duct flange is in place, insert two of the supplied 7/8 inch long screws into the front two holes (one on each side) using a low torque setting on the drill.

**NOTE:** Very little torque is required. A high torque setting may strip out the cabinet frame.



**Step 3** - Set the rear duct flange in place. The bracket will rest on the cabinet wall. The two front holes (one each side) of the rear bracket will match up with the front bracket holes.



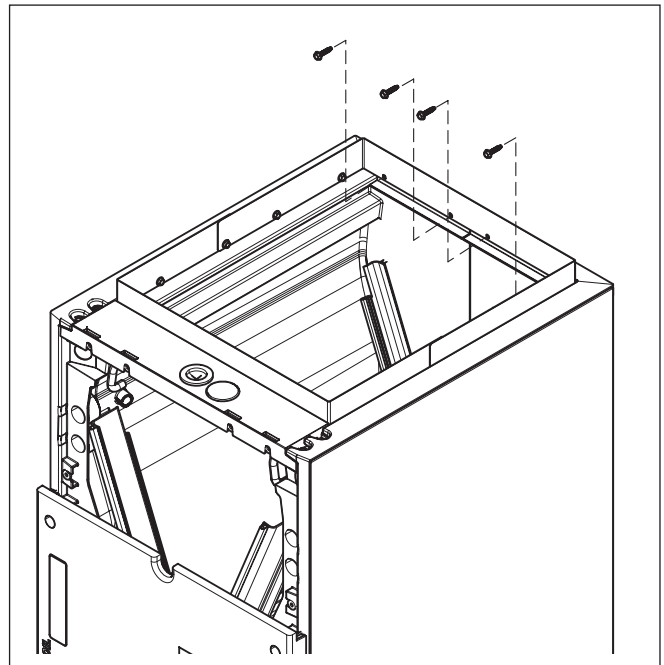
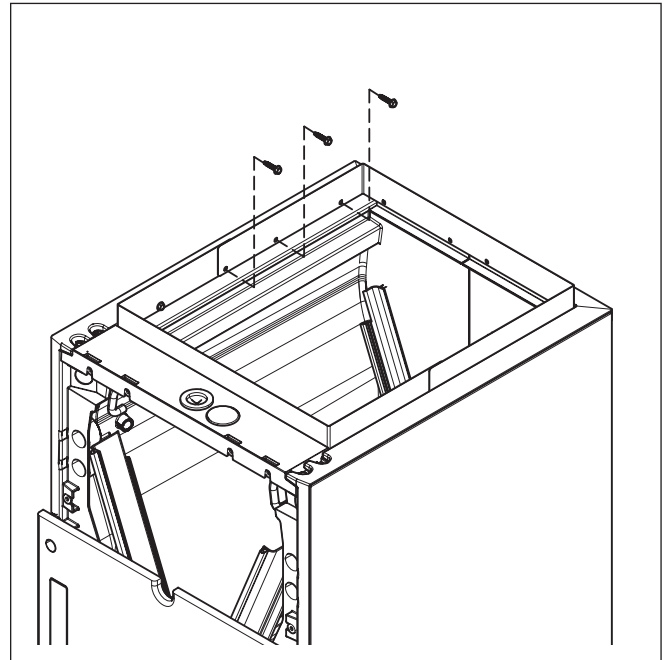
# INSTALLER'S GUIDE

**Step 4** - Secure the back duct flange with the remaining screws.

**NOTE:** Very little torque is required. A high torque setting may strip out the cabinet frame.

The air handler is now ready to attach to the supply duct.

**NOTE:** After ductwork connections are made, seal airtight per local codes.



## About Trane and American Standard Heating and Air Conditioning

Trane and American Standard create comfortable, energy efficient indoor environments for residential applications. For more information, please visit [www.trane.com](http://www.trane.com) or [www.americanstandardair.com](http://www.americanstandardair.com)

The manufacturer has a policy of continuous data improvement and it reserves the right to change design and specifications without notice. We are committed to using environmentally conscious print practices.