

INSTALLER'S GUIDE

18-GJ39D1-2A-EN

ALL phases of this installation must comply with NATIONAL, STATE AND LOCAL CODES

Filter Box Kit:

**BAYBRFBX100A For GAF2 Series
A Cabinet Air Handlers**

Fits Models:

**Hyperion™ and
ForeFront™
Air Handlers**

IMPORTANT — This Document is customer property and is to remain with this unit. Please return to service information pack upon completion of work.

Section 1. Safety Information

⚠ WARNING

SAFETY HAZARD! This information is intended for use by individuals possessing adequate backgrounds of electrical and mechanical experience. Any attempt to repair a central air conditioning product may result in personal injury and/or property damage. The manufacturer or seller cannot be responsible for the interpretation of this information, nor can it assume any liability in connection with its use.

⚠ CAUTION

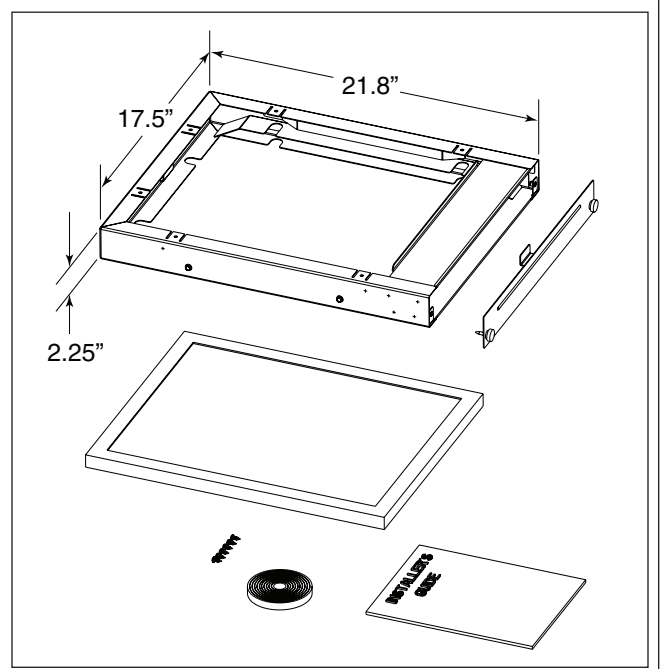
SAFETY HAZARD! Sharp Edge Hazard. Be careful of sharp edges on equipment or any cuts made on sheet metal while installing or servicing. Personal injury may result.

Section 2. General Information

Open and inspect contents for damage or missing items.

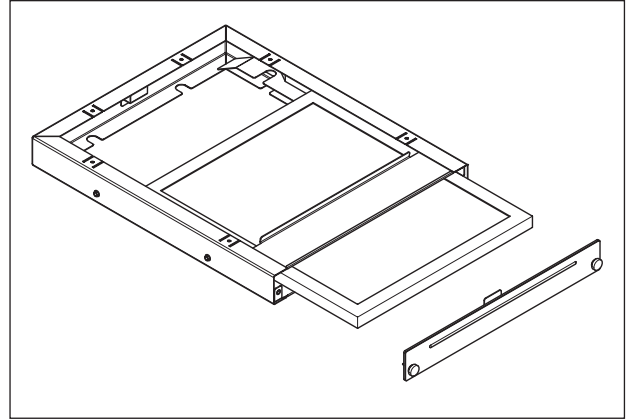
Each kit will contain:

- 1 - Frame assembly
- 1 - Door assembly
- 1 - Gasket material
- 1- 16" x 20" Filter
- 6 - Phillips pan head screws
- 1- Installer's Guide



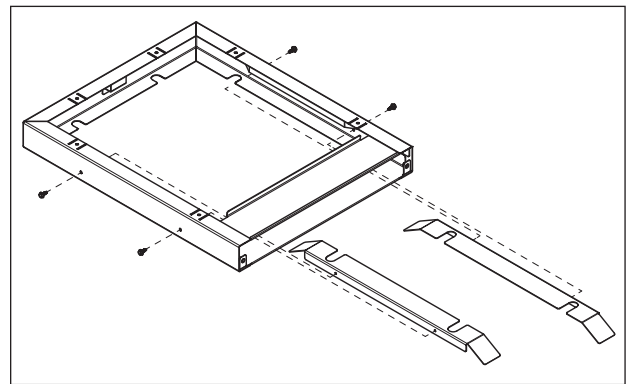
Section 3. Installation

Step 1 - Remove the filter box door and slide the filter out of the filter box.



NOTE: A 2" filter cannot be used if also installing a BAYWMKIT001. This wall mount kit has a flange which will interfere with a 2" filter. The flange does not have an effect on the 1" filter.

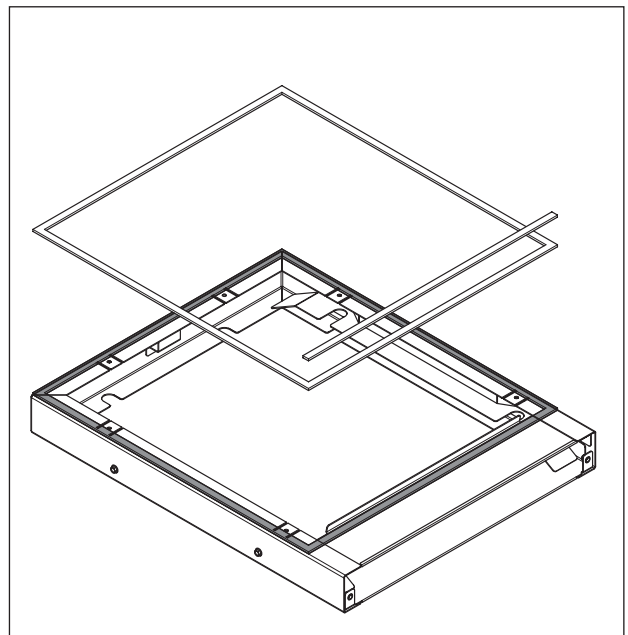
Step 2 - Optional - If installing a two inch media filter, remove the four screws on the sides of the filter box and then remove the two vertical filter guides.



Apply the gasket material to create a seal between the air handler and the filter box

Step 3 - Apply the gasket material to the outer edges of three sides of the filter box. The fourth side should follow along next to the flange.

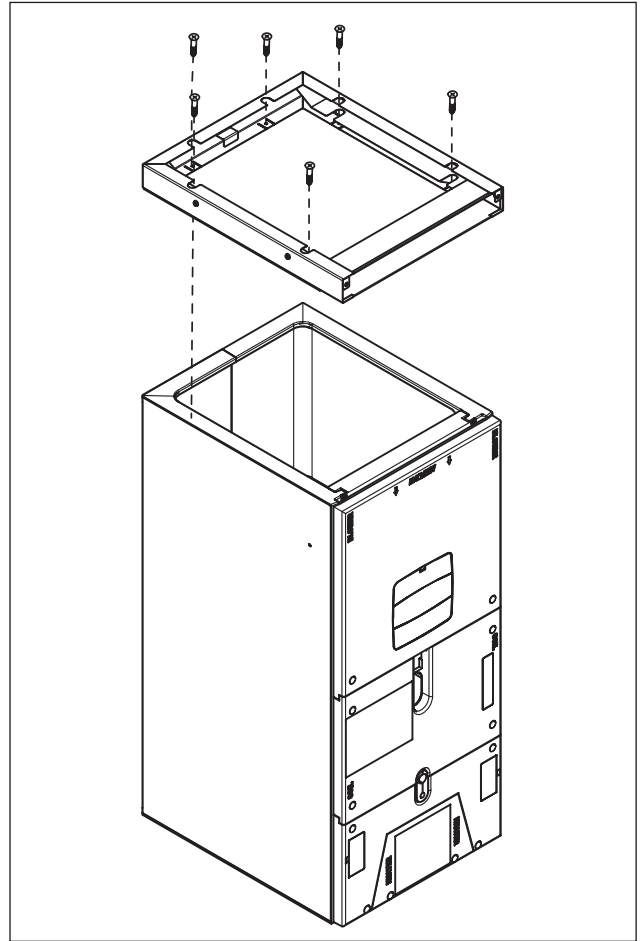
Step 4 - Apply a second piece of the gasket material along the side with the flange so that the gasket will have double the thickness on this one side only.



Step 5 - Turn the air handler upside down.

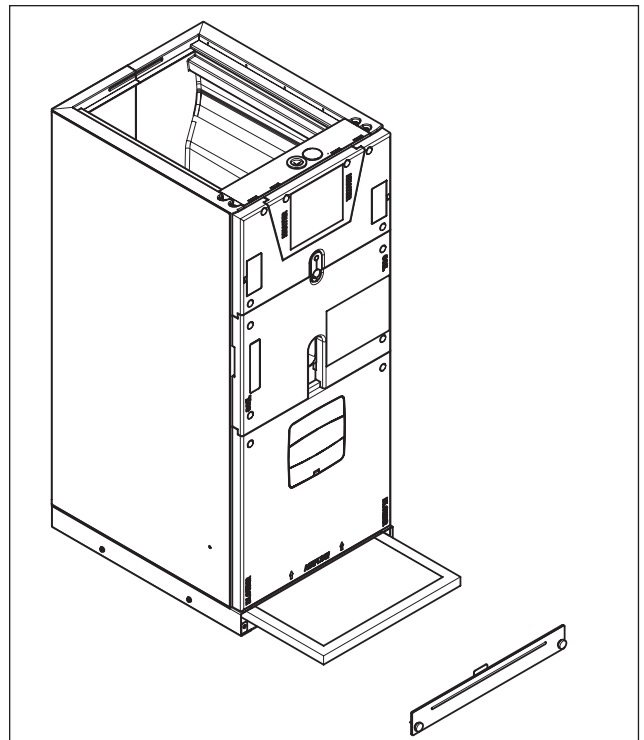
Step 6 - Align the filter frame assembly for a flush fit with the back of the air handler cabinet. Using six of the supplied Phillips pan head screws, attach the frame assembly to the bottom of the air handler cabinet.

NOTE: Very little torque is required. A high torque setting may strip out the cabinet frame.

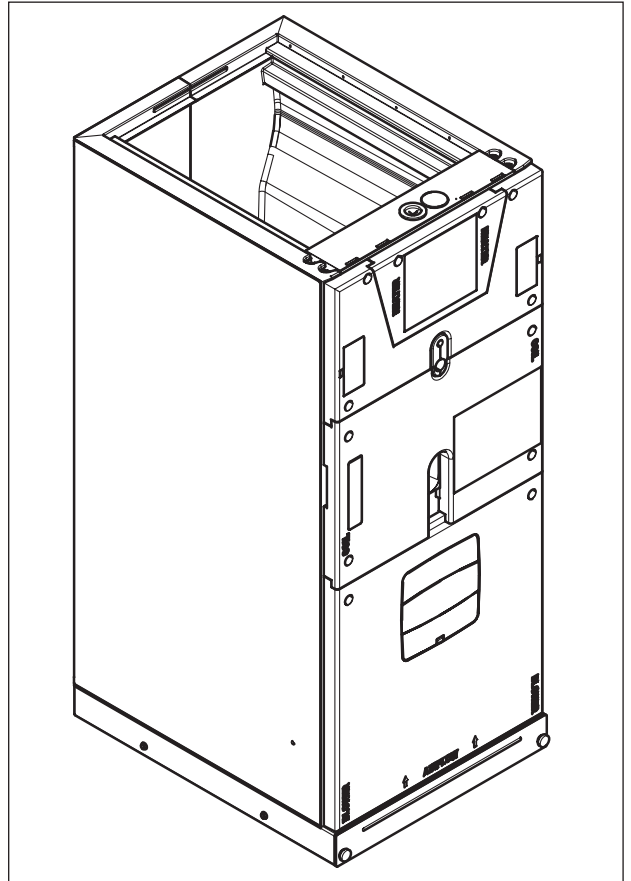


Step 7 - Insert the filter into the frame assembly.

Step 8 - Attach the front door assembly to the frame assembly with the two screws on the door assembly.



Step 9 - Pictured is the finished filter box kit assembly. Continue the installation using the air handler Installer's Guide.



About Trane and American Standard Heating and Air Conditioning
Trane and American Standard create comfortable, energy efficient indoor environments for residential applications.
For more information, please visit www.trane.com or www.americanstandardair.com

The manufacturer has a policy of continuous data improvement and it reserves the right to change design and specifications without notice. We are committed to using environmentally conscious print practices.