

# INSTALLER'S GUIDE

18-GJ38D1-1A-EN

ALL phases of this installation must comply with NATIONAL, STATE AND LOCAL CODES

## Front Return Kit:

**BAYFRKIT100** For GAF2 Series A Cabinet  
Air Handlers

Fits Models:

Hyperion™ and  
ForeFront™  
Air Handlers

**IMPORTANT** — This Document is customer property and is to remain with this unit. Please return to service information pack upon completion of work.

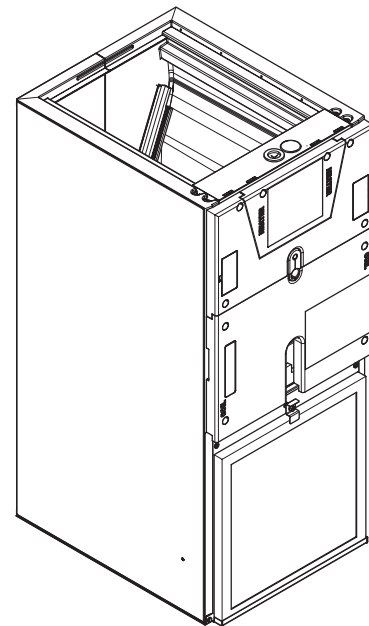
### Section 1. Safety Information

#### WARNING

**SAFETY HAZARD!** This information is intended for use by individuals possessing adequate backgrounds of electrical and mechanical experience. Any attempt to repair a central air conditioning product may result in personal injury and/or property damage. The manufacturer or seller cannot be responsible for the interpretation of this information, nor can it assume any liability in connection with its use.

#### CAUTION

**SAFETY HAZARD!** Sharp Edge Hazard. Be careful of sharp edges on equipment or any cuts made on sheet metal while installing or servicing. Personal injury may result.

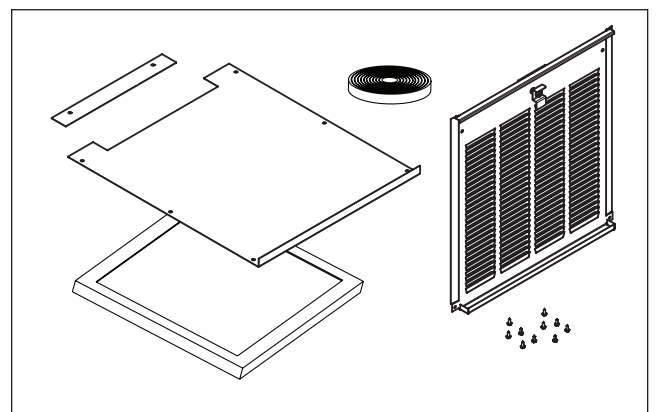


### Section 2. General Information

Open and inspect contents for damage or missing items.

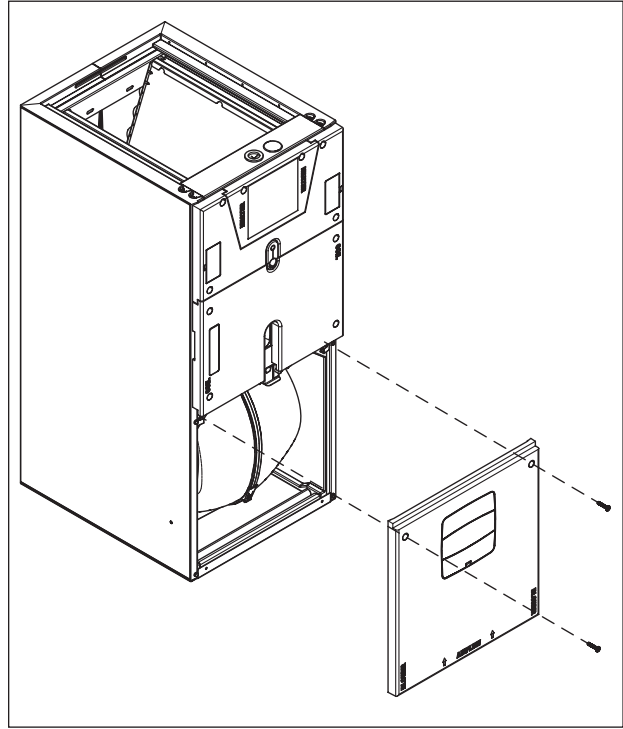
Each kit will contain:

- 1 - Bottom plate
- 1 - Filtered return assembly
- 1 - Gasket material
- 1 - Block off plate
- 10 - 5/16 x 1/2" long screws
- 1 - 16" x 16" Filter
- 1 - Installer's guide

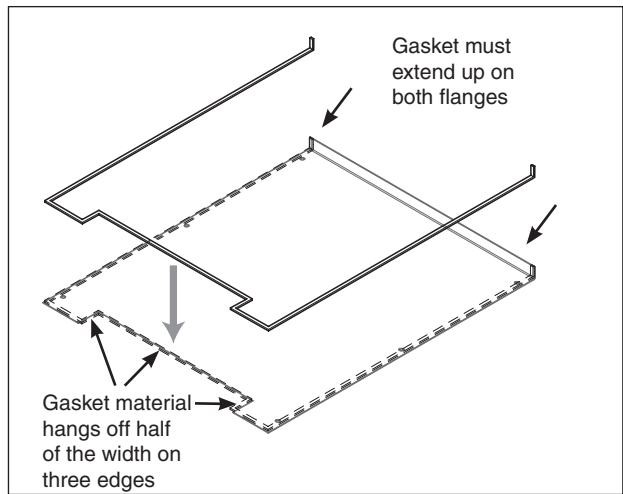


## Section 3. Installation

**Step 1** - Remove the Blower door panel from the air handler. Retain the two top screws and rubber washers for later use.

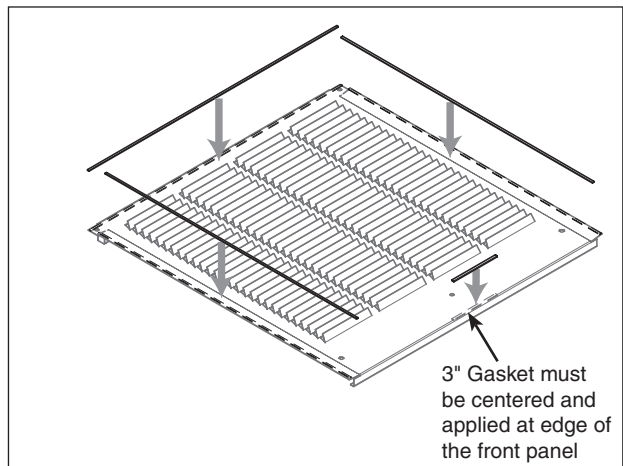


**Step 2** - Apply gasket material onto three sides of the bottom plate as shown. The gasket should be applied along the outside edge of the bottom plate. The three pieces along the notch should be applied so that the gasket material hangs off half the width of the gasket material.



**Step 3** - Apply four pieces of gasket material onto the front louver panel as shown.

The side gasket pieces should run the length of each flange and be applied at the outer edge of the flange. The front piece of gasket should be approximately 3" long and centered along the front edge of the panel.



**NOTE:** The 1.62" x 12" block off plate is not used if the air handler is being installed with the wall mount kit BAYWMKIT001A. The bottom support of the wall mount kit will fit in this opening.

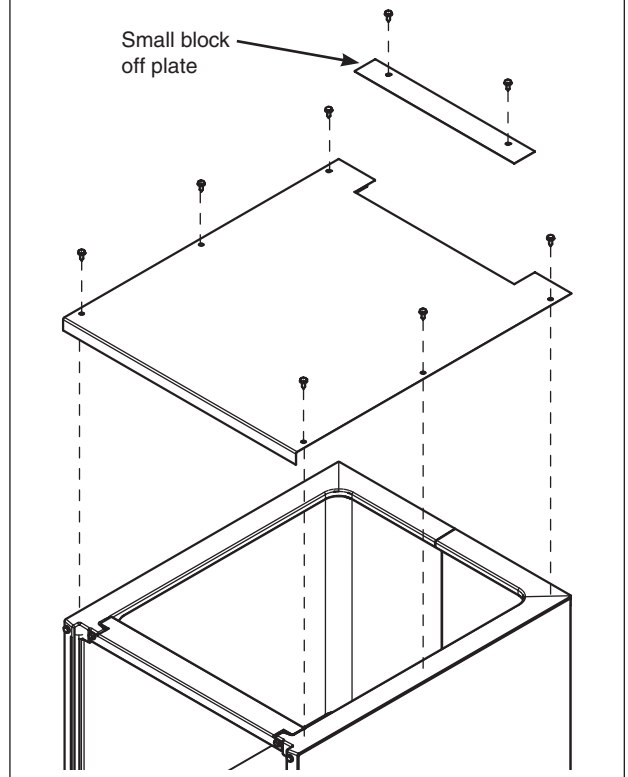
**Step 4** - Turn the air handler upside down and use six of the supplied screws to attach the bottom plate through the punched holes.

**Step 5** - If the wall mount kit is not used, attach the 1.62" x 12" block off plate to the air handler cabinet using two supplied screws.

**Step 6** - Seal the opening between the two plates with foil tape to avoid air leakage.

**NOTE:** Very little torque is required. A high torque setting may strip out the cabinet frame.

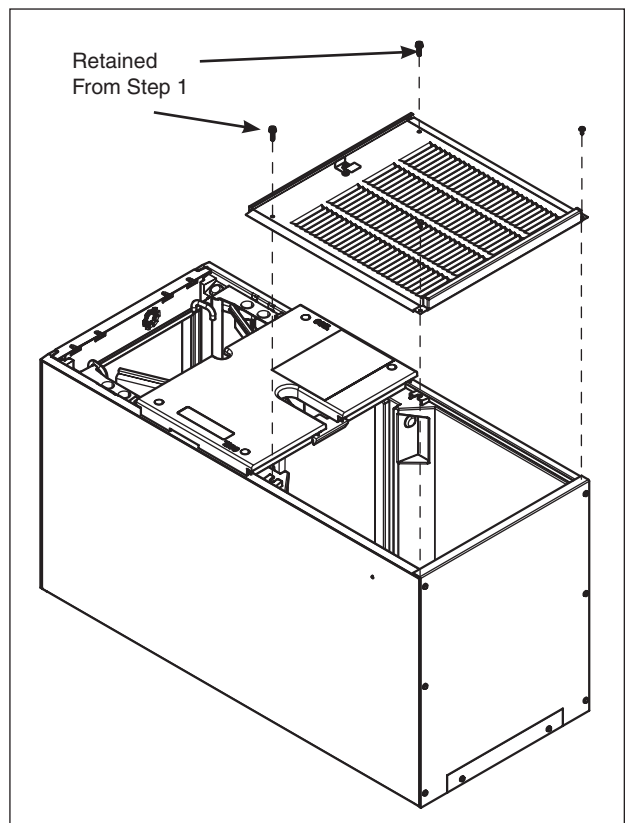
**NOTE:** The 1.62" x 12" block off plate is not used if the air handler is being installed with the wall mount kit BAYWMKIT001A.



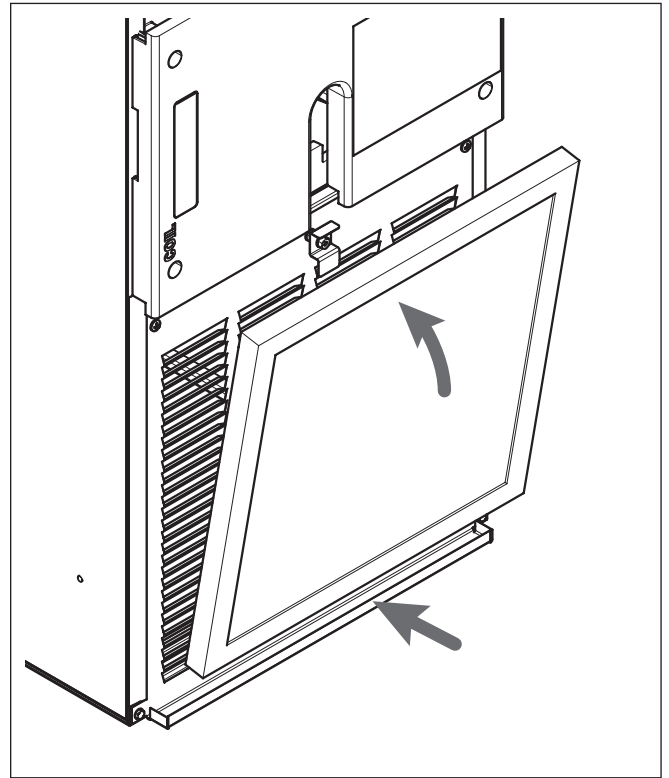
**Step 6** - Attach the top of the front louver panel to the air handler cabinet. Use the two screws and rubber washers removed in Step 1 to attach the top of the louver panel to the cabinet.

**Step 7** - Use two self-tapping supplied screws to attach the bottom of the louver panel to the cabinet.

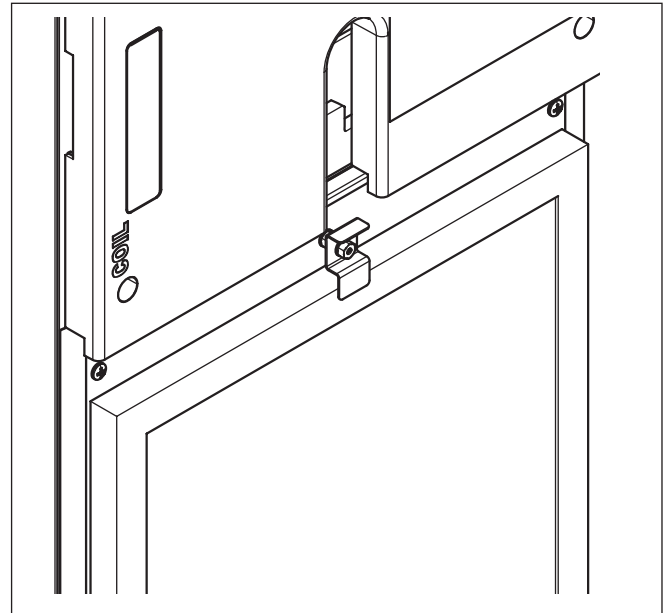
**NOTE:** Very little torque is required. A high torque setting may strip out the cabinet frame.



**Step 8** - Set the filter in the bottom channel rack.



**Step 9** - Secure the filter in place with the top clip.



**Step 10** - Start the blower. Check for and seal any air leaks around the front grill.

## About Trane and American Standard Heating and Air Conditioning

Trane and American Standard create comfortable, energy efficient indoor environments for residential applications. For more information, please visit [www.trane.com](http://www.trane.com) or [www.americanstandardair.com](http://www.americanstandardair.com)

The manufacturer has a policy of continuous data improvement and it reserves the right to change design and specifications without notice. We are committed to using environmentally conscious print practices.