

INSTALLER'S GUIDE

18-GJ31D1-1A-EN

ALL phases of this installation must comply with NATIONAL, STATE AND LOCAL CODES

Wall Mount Kit:

**BAYWMKIT001A For GAF2 Series
A Cabinet Air Handlers**

Fits Models:

**Hyperion™ and
ForeFront™
Air Handlers**

IMPORTANT— This Document is customer property and is to remain with this unit. Please return to service information pack upon completion of work.

Section 1. Safety Information

⚠ WARNING

SAFETY HAZARD! This information is intended for use by individuals possessing adequate backgrounds of electrical and mechanical experience. Any attempt to repair a central air conditioning product may result in personal injury and/or property damage. The manufacturer or seller cannot be responsible for the interpretation of this information, nor can it assume any liability in connection with its use.

⚠ CAUTION

SAFETY HAZARD! Sharp Edge Hazard. Be careful of sharp edges on equipment or any cuts made on sheet metal while installing or servicing. Personal injury may result.

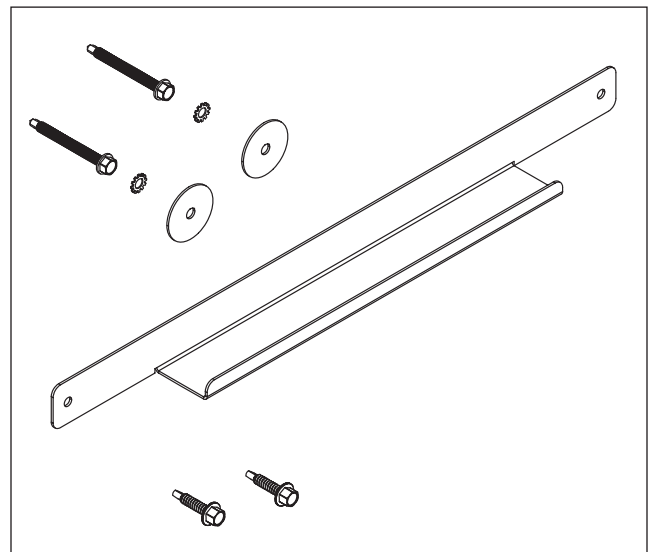
Section 2. General Information

This kit is used to mount the Series 2 air handler to a wall.

Open and inspect contents for damage or missing items.

Each kit will contain:

- 1 - Wall Mount Bracket
- 2 - Flat Washer
- 2 - Lock Washer
- 2 - Wood Screw
- 2 - Self Tapping Screw
- 1- Installer's Guide



Section 3. Installation

NOTE: Two supports must be attached to the wall when installing this kit. 2 x 4 lumber is commonly used as a support. Always check with local codes for acceptance.

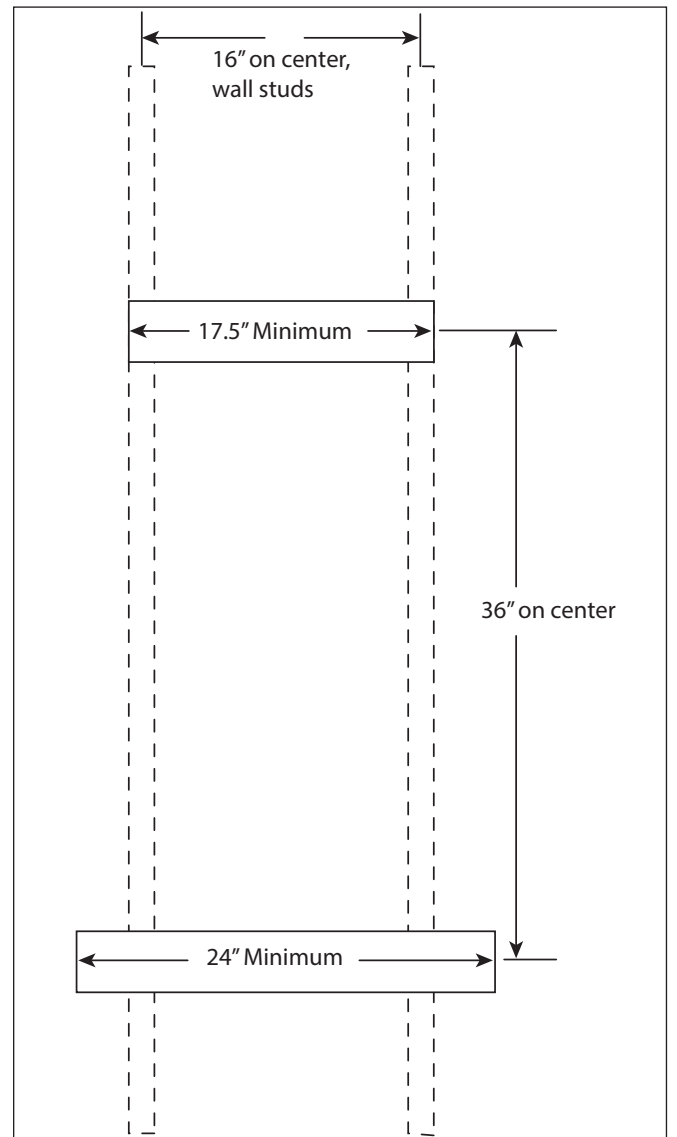
Step 1 - Determine the location where the air handler will be mounted.

Step 2 - Prepare the wall by attaching 2 field supplied supports as illustrated. Both supports must be level and properly secured to support the weight of the air handler.

Minimum lengths for the supports are: 17.5" for the top and 24" for the bottom.

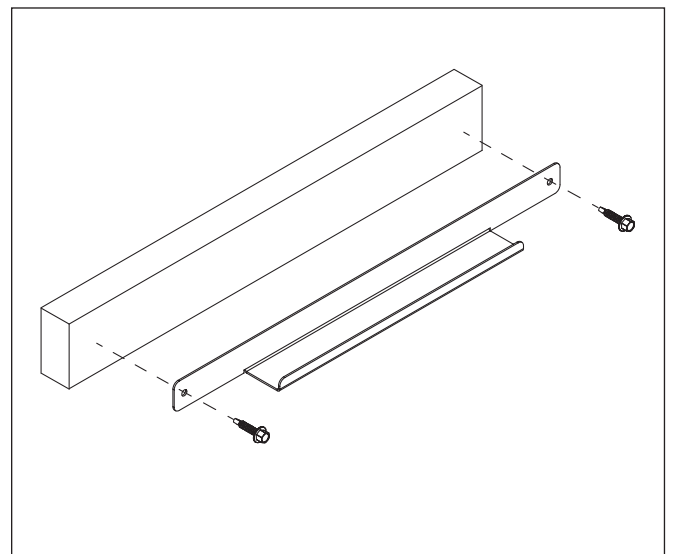
Step 3 - Secure the bottom support to the wall, centering between the wall studs.

Step 4 - Attach the top support to the wall so that it is centered between the wall stud. The vertical distance between the supports is 36" on center.

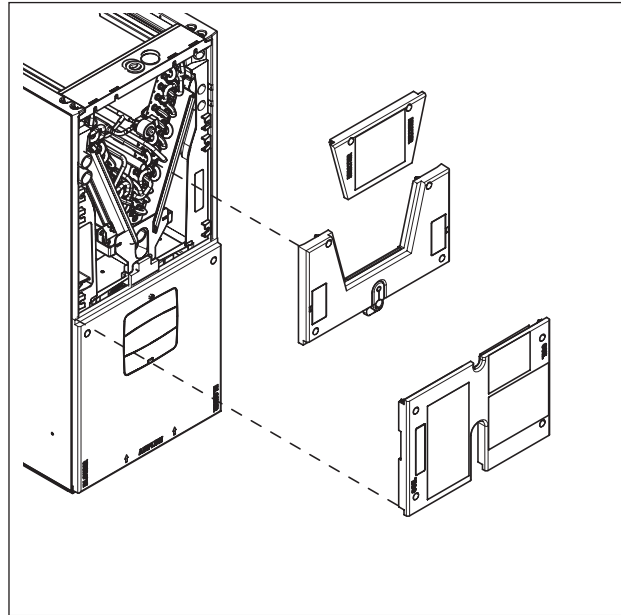


Step 5 - Attach the wall mount bracket to the bottom support with the two supplied wood screws.

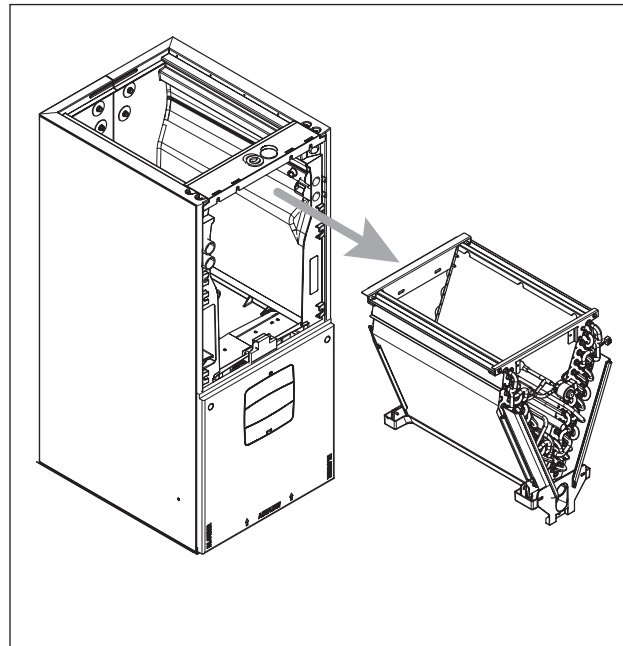
NOTE: The bracket must be level.



Step 6 - Remove the top three door panels on the air handler.



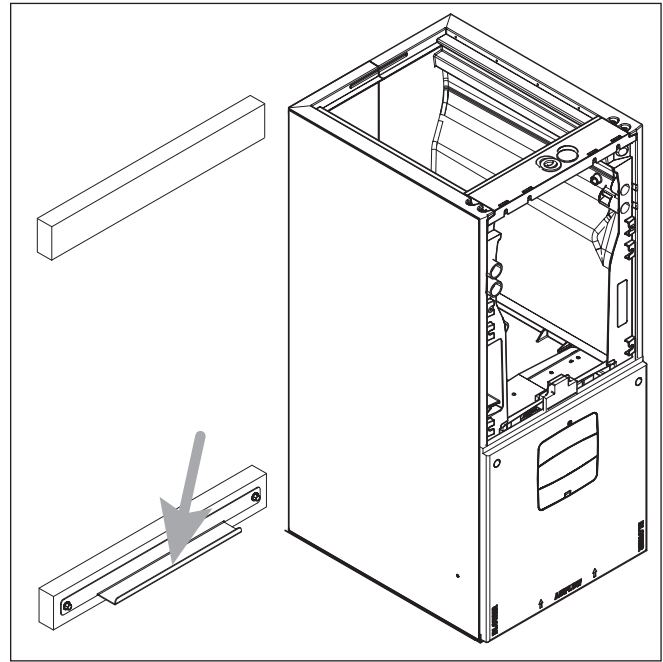
Step 7 - Remove the coil from the air handler cabinet. See the air handler Installer's Guide, if needed.



INSTALLER'S GUIDE

Step 8 - Lift the air handler into place and set it onto the wall mount bracket.

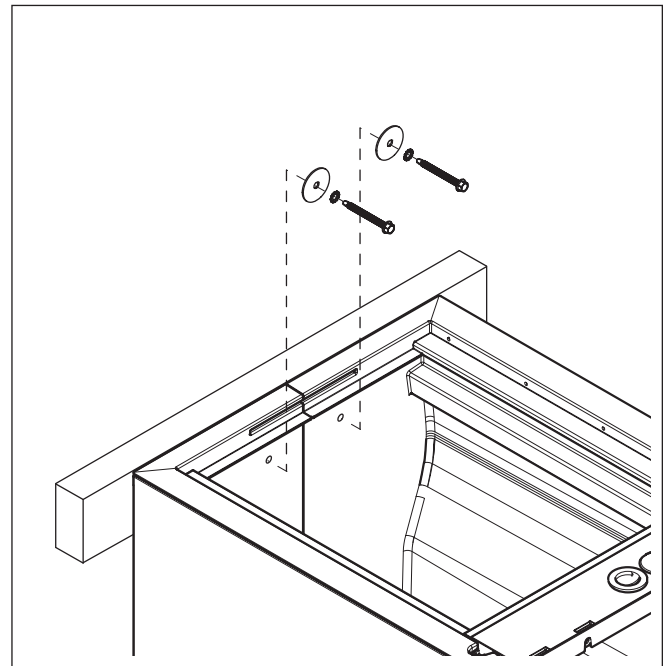
NOTE: If there is a front return kit installed, the wall mount bracket will fit into and cover the opening in the bottom of the cabinet. See the front return kit Installer's Guide for complete instructions.



NOTE: Place a lock washer and flat washer onto the screws before attaching the cabinet to the mount material.

Step 9 - Press the air handler against the top support. Zip the two supplied self tapping screws through the air handler cabinet and into the top support. The two supplied screws should be centered in the top support.

Continue installing the air handler per the Installer's Guide shipped with the unit.



About Trane and American Standard Heating and Air Conditioning

Trane and American Standard create comfortable, energy efficient indoor environments for residential applications. For more information, please visit www.trane.com or www.americanstandardair.com

The manufacturer has a policy of continuous data improvement and it reserves the right to change design and specifications without notice. We are committed to using environmentally conscious print practices.