

# INSTALLER'S GUIDE

18-GJ27D1-1A-EN

ALL phases of this installation must comply with NATIONAL, STATE AND LOCAL CODES

## Low Voltage Conduit Entry Kit:

BAYLVKIT100A

Fits Models:

Hyperion™ and  
ForeFront™  
Air Handlers

**IMPORTANT** — This Document is customer property and is to remain with this unit. Please return to service information pack upon completion of work.

### Section 1. Safety Information

#### ⚠ WARNING

**SAFETY HAZARD!** This information is intended for use by individuals possessing adequate backgrounds of electrical and mechanical experience. Any attempt to repair a central air conditioning product may result in personal injury and/or property damage. The manufacturer or seller cannot be responsible for the interpretation of this information, nor can it assume any liability in connection with its use.

#### ⚠ CAUTION

**SAFETY HAZARD!** Sharp Edge Hazard. Be careful of sharp edges on equipment or any cuts made on sheet metal while installing or servicing. Personal injury may result.

#### ⚠ WARNING

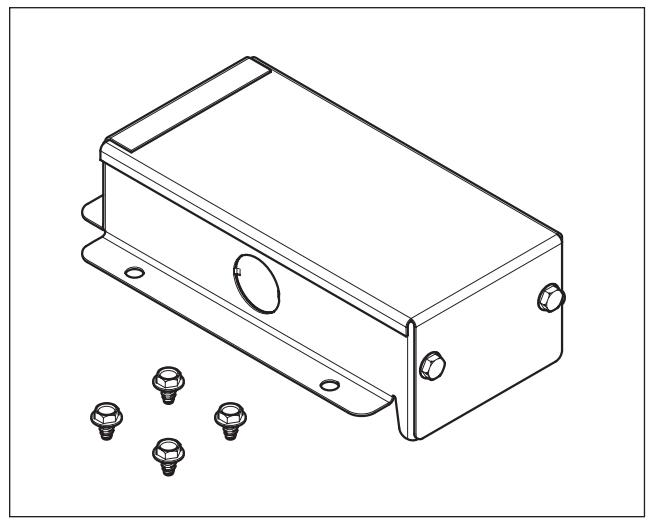
**LIVE ELECTRICAL COMPONENTS!** During installation, testing, servicing, and troubleshooting of this product, it may be necessary to work with live electrical components. Failure to follow all electrical safety precautions when exposed to live electrical components could result in death or serious injury.

### Section 2. General Information

The BAYLVKIT100A provides a metal enclosure that can be mounted on the side of the air handler for electrical conduit attachment.

Each kit will contain:

- 1 - Enclosure Assembly
- 4 - Screws
- 1 - Installer's Guide



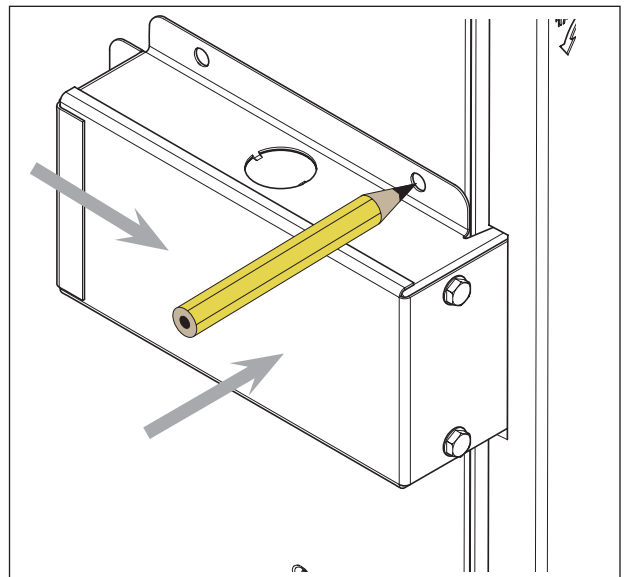
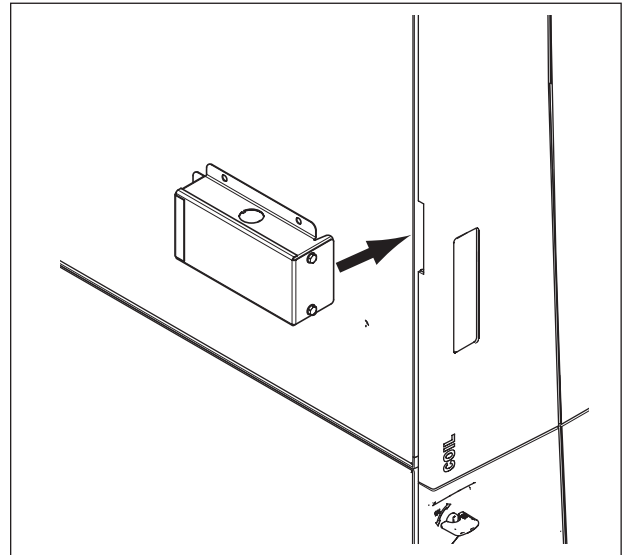
## Section 3. Installation

**Step 1** - Place the conduit entry kit enclosure assembly on the side of the air handler to determine mounting position and knock out option. Make sure the enclosure assembly cover flange is seated properly into the door notch.

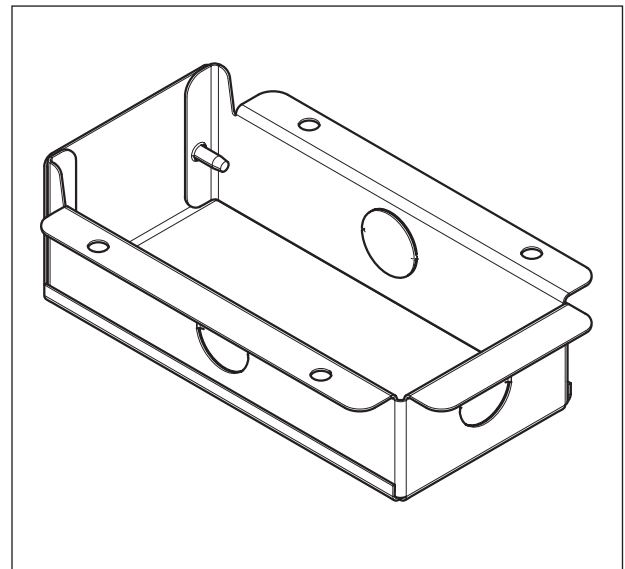
**Note** - The enclosure assembly flanges must rest on the air handler and the assembly must be slid towards the front of the air handler so it is resting against the inside of the door notch.

**Step 2** - Mark the four mounting hole locations of the conduit mounting bracket onto the air handler case.

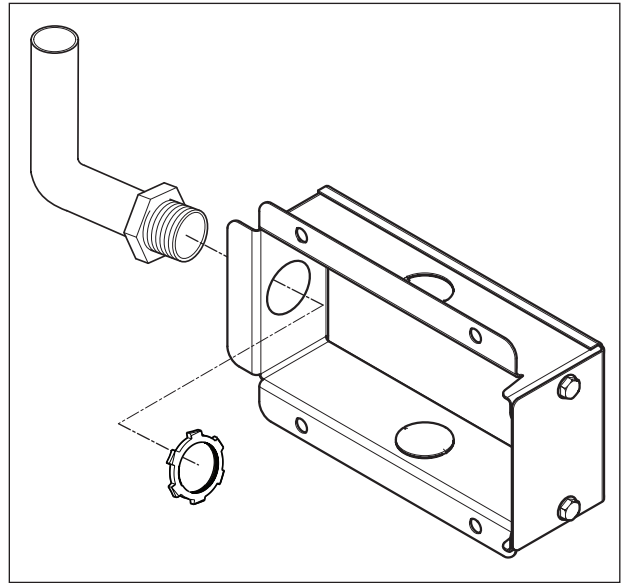
**Note** - Knock out locations are on the top, bottom, and back. There are no knock outs on the side or the front of the enclosure assembly.



**Step 3** - With the entry kit removed from the air handler, remove the desired knock out.

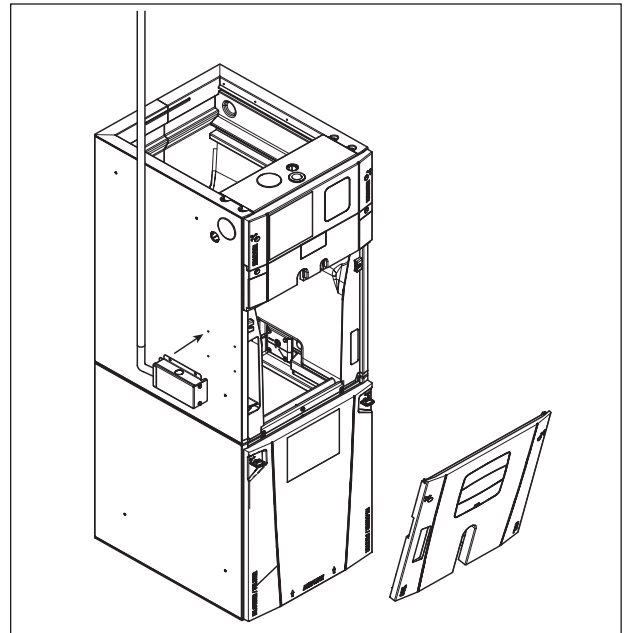


**Step 4** - Attach the conduit to the low voltage conduit entry kit enclosure with a conduit nut.



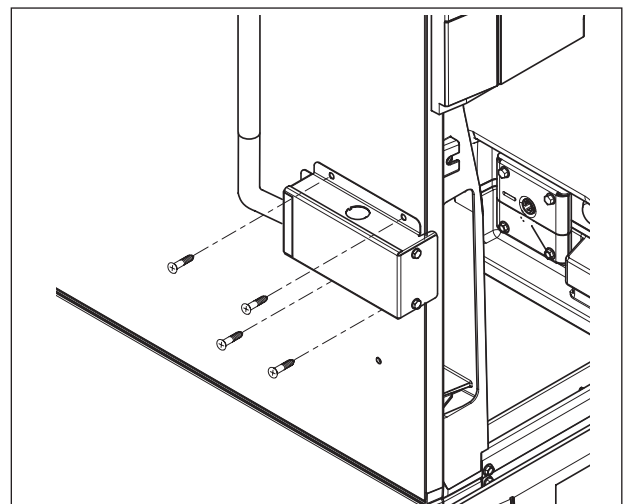
**Step 5** - Remove the coil compartment front panel.

**Step 6** - Match the conduit bracket up to the marks made in step 2.



**Step 7** - Use the four provided screws to secure the conduit entry kit to the side of the air handler.

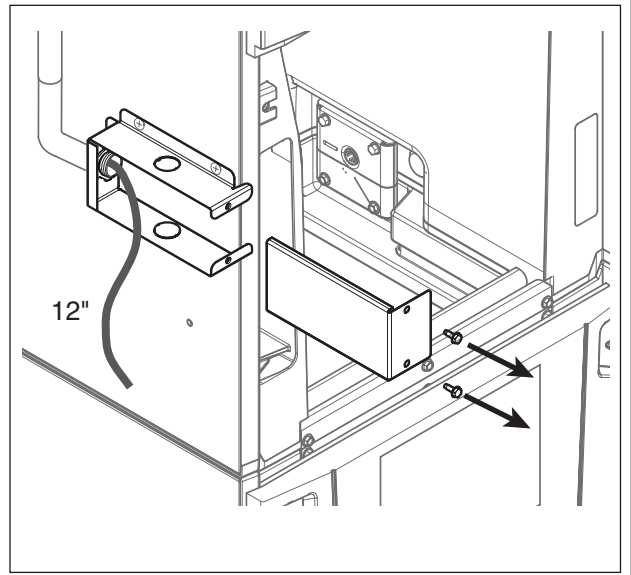
**Important:** Use low torque setting to avoid stripping the holes on the air handler cabinet.



# INSTALLER'S GUIDE

**Step 8** - Remove the two screws on the enclosure cover and slide cover out. Set pieces aside.

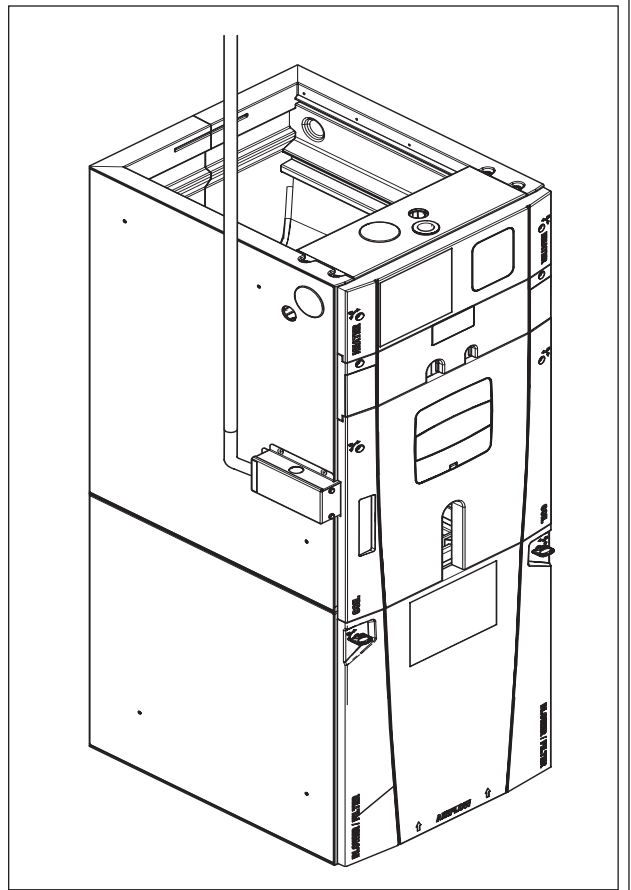
**Step 9** - Route the thermostat control wiring through the conduit. Leave approximately 12" extra to be able to slide the control bracket assembly out.



**Step 9** - Connect the wires to the low voltage terminal strip per the air handler Installer's Guide.

**Step 10** - Replace the cover on the low voltage conduit kit enclosure.

**Step 11** - Replace the coil compartment front panel.



## About Trane and American Standard Heating and Air Conditioning

Trane and American Standard create comfortable, energy efficient indoor environments for residential applications. For more information, please visit [www.trane.com](http://www.trane.com) or [www.americanstandardair.com](http://www.americanstandardair.com)

The manufacturer has a policy of continuous data improvement and it reserves the right to change design and specifications without notice. We are committed to using environmentally conscious print practices.