

INSTALLER'S GUIDE

18-GJ18D2-1A-EN

ALL phases of this installation must comply with NATIONAL, STATE AND LOCAL CODES

Return Duct Flange Kit:

BAYRETFLGAA (KIT15759) For A Series Cabinets

BAYRETFLGBA (KIT15763) For B Series Cabinets

BAYRETFLGCA (KIT15765) For C Series Cabinets

Fits Models:

Hyperion™ and
ForeFront™
Air Handlers

IMPORTANT — This Document is customer property and is to remain with this unit. Please return to service information pack upon completion of work.

Section 1. Safety Information

⚠ WARNING

SAFETY HAZARD! This information is intended for use by individuals possessing adequate backgrounds of electrical and mechanical experience. Any attempt to repair a central air conditioning product may result in personal injury and/or property damage. The manufacturer or seller cannot be responsible for the interpretation of this information, nor can it assume any liability in connection with its use.

⚠ CAUTION

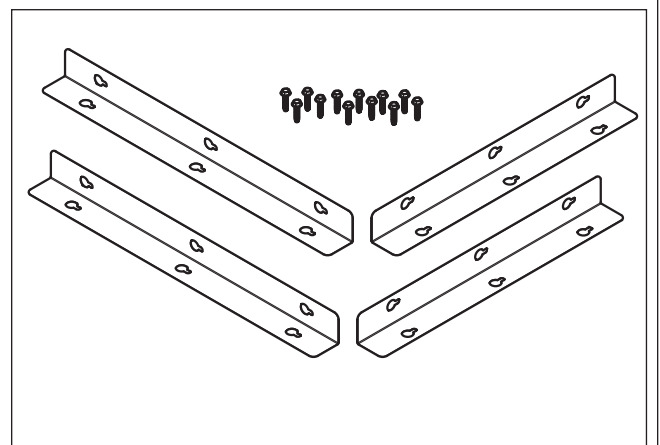
SAFETY HAZARD! Sharp Edge Hazard. Be careful of sharp edges on equipment or any cuts made on sheet metal while installing or servicing. Personal injury may result.

Section 2. General Information

Open and inspect contents for damage or missing items.

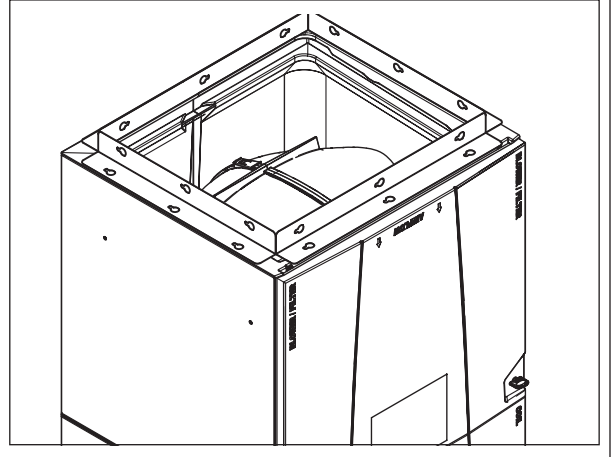
Each kit will contain:

- 4 - Rails (Two sets of two, lengths vary by kit #)
- 12 - 5/16" x 1/2" long Self-tapping Screws



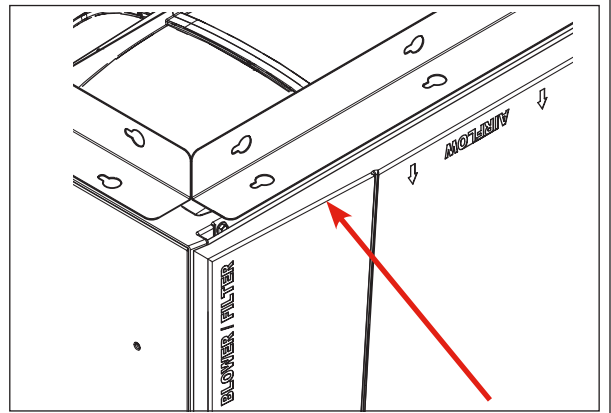
Section 3. Installation

Step 1 - Place rails on return side of the air handler and ensure a proper fit with the ductwork.

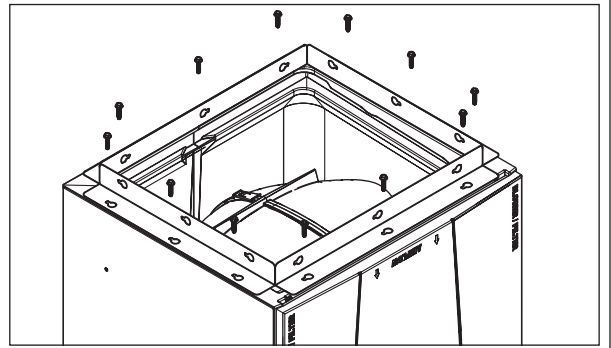


Step 2 - It is critical that the front flange lines up with the front of the metal rail. Use ½ inch maximum length screws to secure this rail in place.

IMPORTANT - Misplacement of this rail or the use of longer screws may penetrate the door cabinet & prevent the removal of door.



Step 3 - Screw all the rails in place using the 1/2 inch long screws provided. The air handler is now ready for the return ducting



Step 4 - After ductwork connections are made, seal air-tight and per local codes.

About Trane and American Standard Heating and Air Conditioning

Trane and American Standard create comfortable, energy efficient indoor environments for residential applications. For more information, please visit www.trane.com or www.americanstandardair.com

The manufacturer has a policy of continuous data improvement and it reserves the right to change design and specifications without notice. We are committed to using environmentally conscious print practices.