

# INSTALLER'S GUIDE

18-GJ18D1-1A-EN

ALL phases of this installation must comply with NATIONAL, STATE AND LOCAL CODES

## Supply Duct Flange Kit:

**BAYSUPFLGAA (KIT15760) For A Series Cabinets**

**BAYSUPFLGBA (KIT15760) For B Series Cabinets**

**BAYSUPFLGCA (KIT15766) For C Series Cabinets**

Fits Models:

**Hyperion™ and  
ForeFront™  
Air Handlers**

**IMPORTANT** — This Document is customer property and is to remain with this unit. Please return to service information pack upon completion of work.

### Section 1. Safety Information

#### **⚠ WARNING**

**SAFETY HAZARD!** This information is intended for use by individuals possessing adequate backgrounds of electrical and mechanical experience. Any attempt to repair a central air conditioning product may result in personal injury and/or property damage. The manufacturer or seller cannot be responsible for the interpretation of this information, nor can it assume any liability in connection with its use.

#### **⚠ CAUTION**

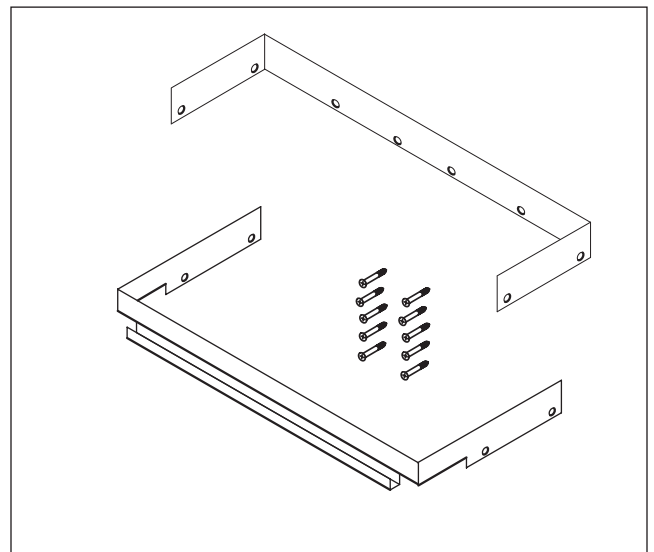
**SAFETY HAZARD!** Sharp Edge Hazard. Be careful of sharp edges on equipment or any cuts made on sheet metal while installing or servicing. Personal injury may result.

### Section 2. General Information

Open and inspect contents for damage or missing items.

Each kit will contain:

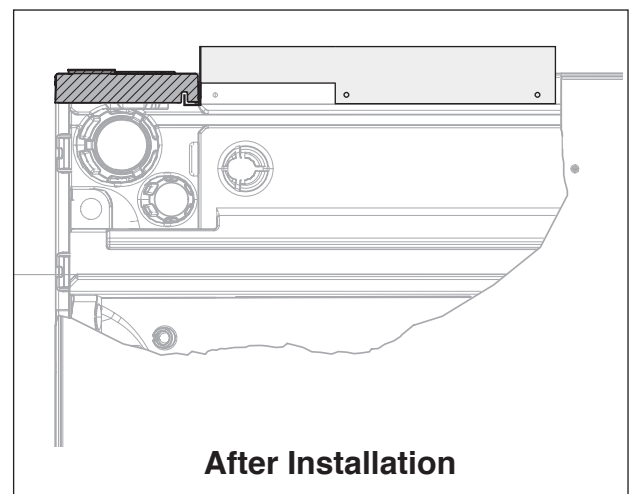
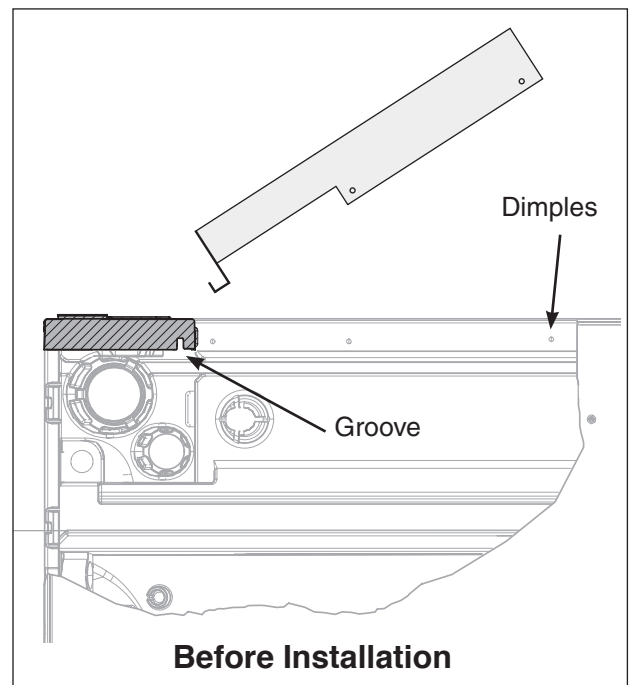
- 1 - Front Flange
- 1 - Rear Flange
- 10 - 5/16" x 7/8" long screws



## Section 3. Installation

**IMPORTANT: Duct Flange Kits must be installed prior to heat strips.**

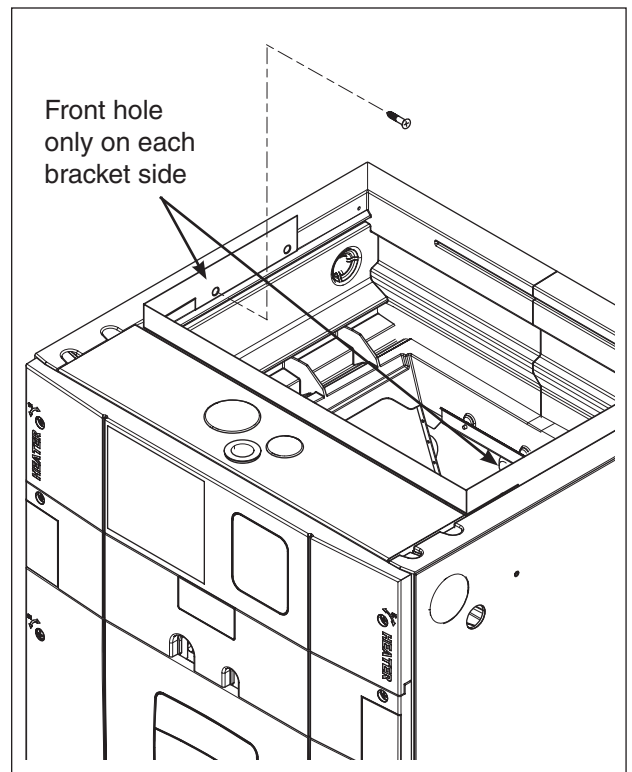
**Step 1** - Install front flange into the groove under the top panel. The flange should lock into a tight fit against the top plate. Once in place, the holes on the bracket should line up with the dimples on the side of the cabinet.



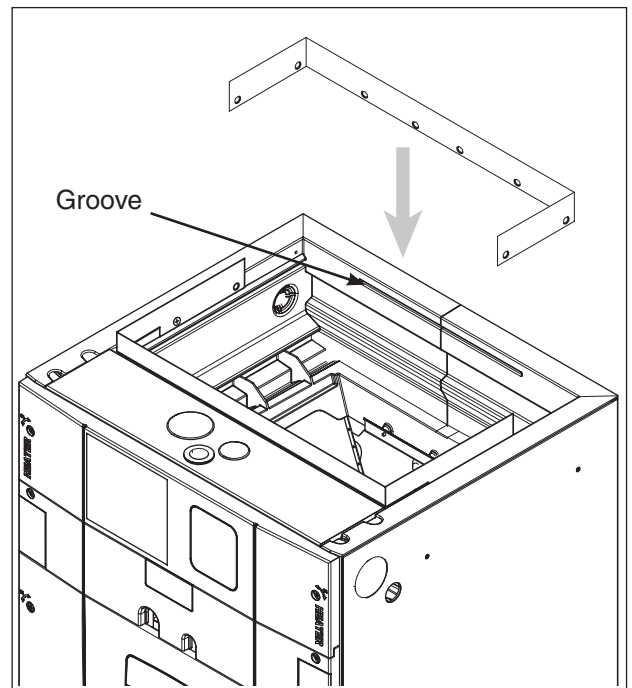
**Step 2** - Once the front duct flange is in place, align the predrilled holes with the dimples in the cabinet.

**Step 3** - Insert two of the supplied 7/8 inch long screws into the front two dimples using a low torque setting on the drill.

**NOTE:** Very little torque is required. A high torque setting may strip out the cabinet frame.



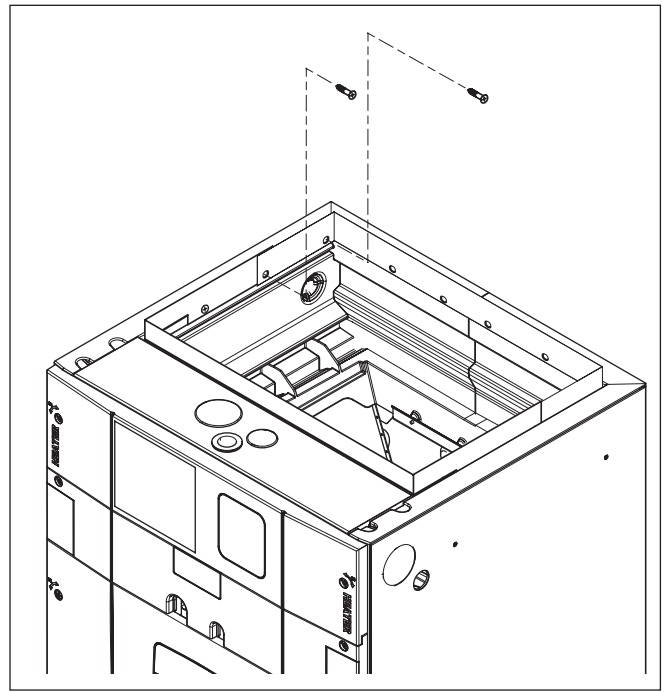
**Step 4** - Align the rear duct flange bracket holes with the dimples on the side and the groove along the back.



# INSTALLER'S GUIDE

**Step 5** - Secure the back duct flange by inserting four of the 7/8 inch long screws into the side dimples (2 on each side).

**NOTE:** Very little torque is required. A high torque setting may strip out the cabinet frame.

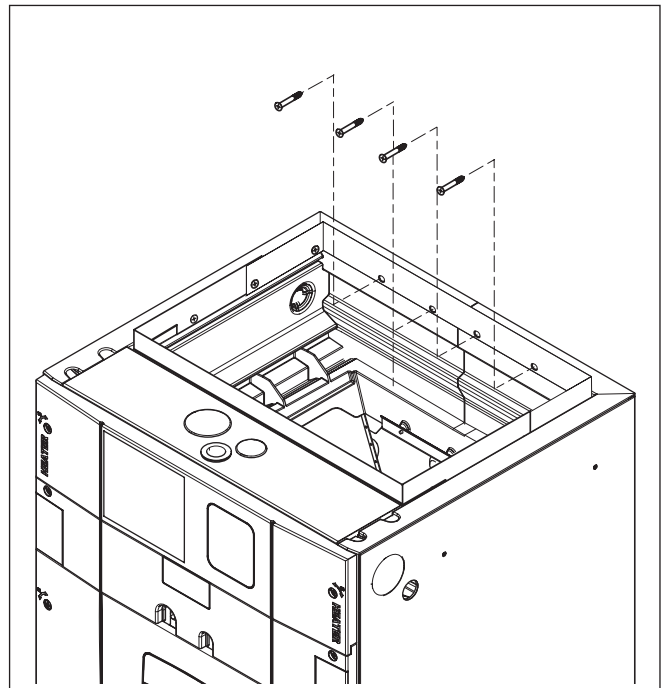


**Step 6** - Use the remaining four 7/8 inch long screws to secure the back of the rear duct flange into the groove in the back of the cabinet.

**NOTE:** Very little torque is required. A high torque setting may strip out the cabinet frame.

The air handler is now ready to attach to the supply duct.

**NOTE:** After ductwork connections are made, seal airtight per local codes.



## About Trane and American Standard Heating and Air Conditioning

Trane and American Standard create comfortable, energy efficient indoor environments for residential applications. For more information, please visit [www.trane.com](http://www.trane.com) or [www.americanstandardair.com](http://www.americanstandardair.com)

The manufacturer has a policy of continuous data improvement and it reserves the right to change design and specifications without notice. We are committed to using environmentally conscious print practices.