

INSTALLER'S GUIDE

BAYSPEKT200A for BAYEA and BAYEV Heaters

18-GJ15D1-3B-EN

Important -- This is Customer property and is to remain with this unit. Please return to service information pack upon completion of work.

Model: **BAYSPEKT200A**
Used With Accessory Heaters:
BAYEABC15BK1AA
BAYEABC20BK1AA
BAYEVBC15BK1AA
BAYEVBC20BK1AA

Single Point Power Entry Kit

ALL phases of this installation must comply with NATIONAL, STATE AND LOCAL CODES

BAYSPEKT200A is certified to UL 1995.

⚠ WARNING

THIS INFORMATION IS FOR USE BY INDIVIDUALS HAVING ADEQUATE BACKGROUNDS OF ELECTRICAL AND MECHANICAL EXPERIENCE. ANY ATTEMPT TO REPAIR A CENTRAL AIR CONDITIONING PRODUCT MAY RESULT IN PERSONAL INJURY AND/OR PROPERTY DAMAGE. THE MANUFACTURER OR SELLER CANNOT BE RESPONSIBLE FOR THE INTERPRETATION OF THIS INFORMATION, NOR CAN IT ASSUME ANY LIABILITY IN CONNECTION WITH ITS USE.

⚠ WARNING

HAZARD OF ELECTRICAL SHOCK!
MORE THAN ONE DISCONNECT MAY BE REQUIRED TO DE-ENERGIZE EQUIPMENT FOR SERVICING.
Failure to disconnect power before servicing can cause severe personal injury or death.

⚠ CAUTION

RECONNECT ALL GROUNDING DEVICES.
ALL PARTS OF THIS PRODUCT THAT ARE CAPABLE OF CONDUCTING ELECTRICAL CURRENT ARE GROUNDED. IF GROUNDING WIRES, SCREWS, STRAPS, CLIPS, NUTS OR WASHERS USED TO COMPLETE A PATH TO GROUND ARE REMOVED FOR SERVICE, THEY MUST BE RETURNED TO THEIR ORIGINAL POSITION AND PROPERLY FASTENED.

⚠ CAUTION

SAFETY HAZARD
Sharp Edge Hazard. Be careful of sharp edges on equipment or any cuts made on sheet metal while installing or servicing. Personal injury may result.

Single Point Power Entry Kit - BAYSPEKT200A

KIT COMPONENTS — Refer to Figure 1 for part identification.

GENERAL

These instructions are for installation of BAYSPEKT200A single point power entry kit in the accessory heaters listed above.

Check for any shipping damage, and if any, report it to the carrier immediately.

IMPORTANT:

The field electrical connections and wiring must be done in accordance with the "National Electrical Code" and must comply with local electrical codes.

IMPORTANT:

Verify that the appropriate kit, heater and air handler combination has been selected.

Before beginning the installation, verify that the available power supply complies with the requirements of the accessory heater and Air Handler unit model being used.

IMPORTANT:

Use the right side conduit holes for field wiring.

Item No.	Drawing No.	Description	Quantity
1	18-GJ15D1-3B-EN	Installer's Guide	1
2	A800997P01	Grounding Lug	1
3	D807763P03	Single Power Entry Jumper	1
4	D803576P01	Nameplate Label	1
5	D803576P02	Nameplate Label	1
6	D803576P03	Nameplate Label	1
7	D803576P04	Nameplate Label	1

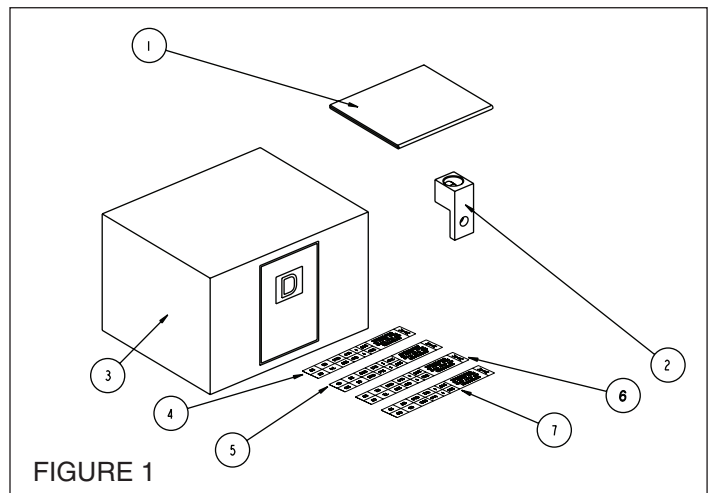


FIGURE 1

INSTALLATION OF SINGLE POWER ENTRY KIT:

1. Install the heat strip per the Installer's Guide provided with the heat strip. Do not connect the high voltage leads or connect the seal plate until the single power entry kit is installed.

- Loosen the lugs on the heat strip breakers and grounding screw.

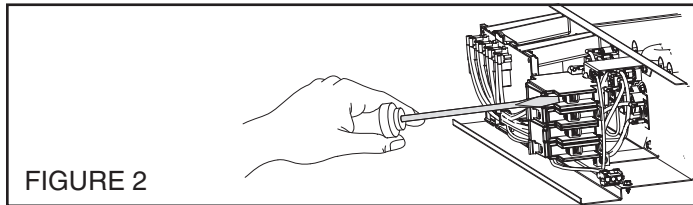


FIGURE 2

- Remove the cover plate from the single power entry kit.

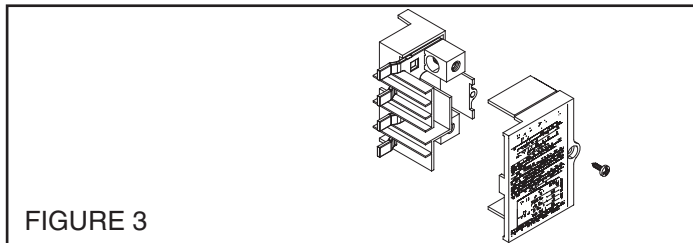


FIGURE 3

- Insert the single power entry kit into the breaker lugs. Slide the entry kit all the way into the breaker lugs, making sure all four tabs are bottomed out in each breaker. Tighten all four breaker lugs to a minimum of 45 in-lbs of torque.

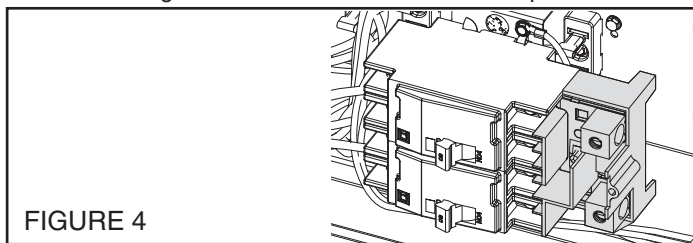


FIGURE 4

- Use a self-tapping screw to mount the ground lug to the heater flange as shown if using wire larger than 8AWG. If the ground wire is 8AWG or smaller, the existing ground lug mounted on the breaker bracket can be used.

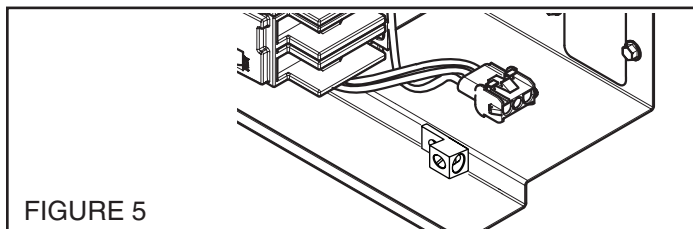


FIGURE 5

HIGH VOLTAGE FIELD WIRING:

NOTE:

All field wire to be copper, rated for 75 ° C minimum. Maximum field wire size is 2/0 AWG.

- Check to make certain the proper wire size and circuit protection are installed.
- Complete installation per accessory heater and air handler installation instructions.
- Connect the power supply ground wire to the ground lug installed in step 5. Connect the high voltage field wiring to the terminal block lugs on the single point power entry jumper. Tighten all wires per the torque settings on the single power entry kit cover plate.
- Break off the two cover tabs on the side of the cover plate on the entry kit. Screw the cover plate to the entry kit. See Figure 6.

- Ensure the seal plate is installed over the breakers. See heat strip instructions.

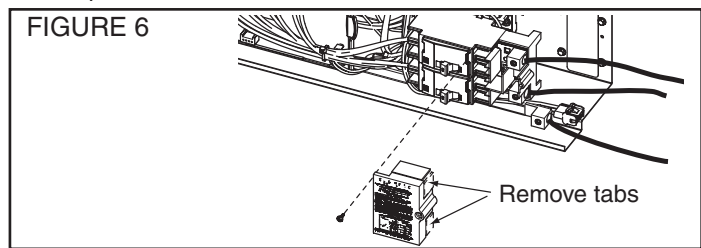


FIGURE 6

- Select the appropriate nameplate label (items 4-7) included with the single point power entry kit (see Figure 7) and apply directly over the accessory heater model on the air handler rating nameplate as shown in Figure 8.

FIGURE 7

X	BAYEABC15BK With Single Circuit Power Source Kit BAYSPEKT200A	208	1	10.8	51.9	74	80
		240	1	14.4	60.0	85	90
X	BAYEABC20BK With Single Circuit Power Source Kit BAYSPEKT200A	208	1	14.4	69.2	96	100
		240	1	19.2	80.0	110	110
X	BAYEVC15BK with single circuit power source kit BAYSPEKT200A	208	1	10.8	51.9	72	80
		240	1	14.4	60.0	82	90
X	BAYEVC20BK with single circuit power source kit BAYSPEKT200A	208	1	14.4	69.2	93	100
		240	1	19.2	80.0	107	110

COOLING AIR CONDITIONER OR HEAT PUMP 3059934

D803142

GAM5A0C42M31SAA	XXXXXXXXXX	1/2	4.10	200-230	1 PH 60 HZ
MODEL NO.	SERIAL NO.	MOTOR H.P.	F.L.A.MPS	VOLTS	

UNLESS INDICATED "NA" ANY ONE OF THE FOLLOWING HEATERS MAY BE INSTALLED IN THIS UNIT. INSTALLER MUST MARK ONE APPROPRIATE BLOCK IN COLUMN A.

A MOINS D'INDICATION <<NA>> L'UN DES GENERATEURS DE CHALEUR SUIVANTS PEUVENT ETRE INSTALLES DANS CET APPAREIL. L'INSTALLATEUR EST TENU DE MARQUER UN BLOC APPROPRIE DANS LA COLONNE A.

A	TRANE HEATER MODEL	SUPPLY VOLTS	PHASE	KW	HEATER AMPS	MIN BRANCH CIRCUIT CAPACITY	MAXIMUM OVERCURRENT DEVICE	MINIMUM HEATING BLOWER SPEED	WITHOUT HEAT PUMP	WITH HEAT PUMP
	NONE					5	15			
	BAYEAAC05 ^H	208 240	1	3.60 4.80	17.3 20.0	27 30	30 30		TAP 2	TAP 3
	BAYEAAC08 ^H	208 240	1	5.76 7.68	27.7 32.0	40 45	40 45		TAP 2	TAP 3
	BAYEAAC10 ^H	208 240	1	7.20 9.60	34.6 40.0	48 55	50 60		TAP 2	TAP 3
X	BAYEABC15BK With Single Circuit Power Source Kit BAYSPEKT200A	208 240	1	10.8 14.4	51.9 60.0	74 85	80 90		TAP 3	TAP 4

FIGURE 8

LOW VOLTAGE WIRING (24 Volts):

All low voltage connections are made to the accessory heater via polarized plugs. The low voltage controls are connected to the room thermostat from the air handler low voltage terminal strip or pigtails.

See the field wiring diagram supplied with the air handler Installer's Guide for details and completion of high voltage and low voltage wiring.

About Trane and American Standard Heating and Air Conditioning

Trane and American Standard create comfortable, energy efficient indoor environments for residential applications. For more information, please visit www.trane.com or www.americanstandardair.com

The manufacturer has a policy of continuous data improvement and it reserves the right to change design and specifications without notice. We are committed to using environmentally conscious print practices.