

Conversion to Downflow or Horizontal Left Kit Instructions

Used With:

4TEE3C01 - 4TEE3C10

4TEE3D01 - 4TEE3D10

⚠ WARNING: HAZARDOUS VOLTAGE - DISCONNECT POWER BEFORE SERVICING

ALL phases of this installation must comply with NATIONAL, STATE AND LOCAL CODES

IMPORTANT—This Document is **customer property** and is to remain with this unit. Please return to service information pack upon completion of work.

NOTE: The 4TEE3C01-10 air handler should **NOT** be installed in the horizontal left or down flow configuration unless the outdoor unit has an AHRI rating with 18-GJ01D1 in the AHRI Directory. System ratings listed without 18-GJ01D1 are for horizontal right and upflow configurations only. The manufacturer recommends installing only approved, matched indoor and outdoor systems.

GENERAL INFORMATION

These Air Handlers are shipped from the factory in the upflow or horizontal right configuration and are fully convertible to downflow or horizontal left using the information in this conversion guide. **NOTE:** Representative illustrations only - actual models may vary.

ACCESSORY KIT CONTENTS REQUIRED FOR CONVERSION (See Figure 1)

- 1 - conversion guide (18-GJ01D1-4)
- 2 - 1/2" gasket
- 2 - outer baffle
- 3 - 1/2" screws
- 2 - 7/8" gasket
- 2 - inner baffle (09 & 10 models only)

ADDITIONAL ITEMS NOT SUPPLIED

- 1 - non-acetic RTV sealant

⚠ CAUTION

WHEN THE AIR HANDLER WITH SUPPLEMENTARY HEATER IS TO BE INSTALLED IN THE DOWNFLOW POSITION ON COMBUSTIBLE FLOORING AN ACCESSORY SUB-BASE (TAYBASE101 FOR 4TEE3*01A, TAYBASE100 FOR 4TEE3*02, 03, 04, 06, & 08A, TAYBASE102 FOR 4TEE3*05, 07, 09, & 10A) MUST BE USED. SEE FIGURE 12.

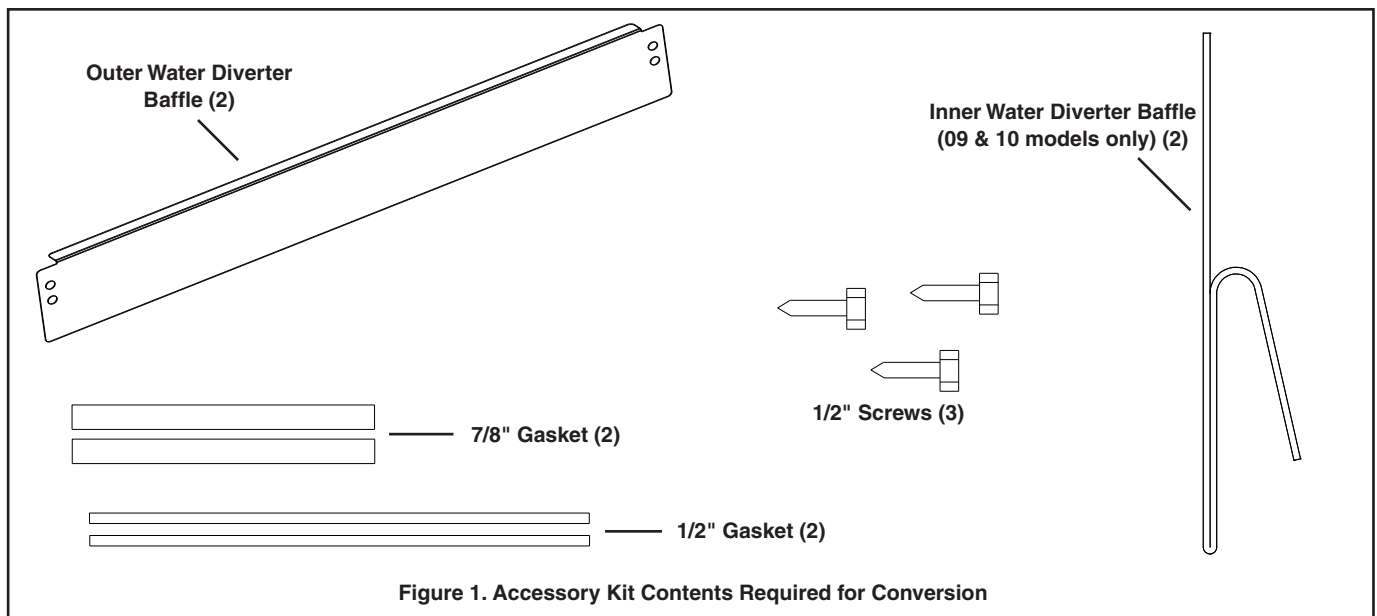


Figure 1. Accessory Kit Contents Required for Conversion

Conversion Guide

UNIT CONVERSION TO DOWNFLOW

1. The horizontal drip tray should be removed *for maximum efficiency*. See Figures 2, 3 and 4.
 - a. Remove the coil by sliding it out on the coil channel supports. For the 4TEE3*05, 07, 09, & 10 units the coil support tab at the top of the coil, connected to the case, must be removed first.
 - b. Remove the 1" insulation strip covering the lip of the drip pan. See Figure 2.
 - c. Detach the tray by removing the two screws at the drain pan and the two screws holding the two brackets at the top of the coil. See Figures 3 and 4.
 - d. Remove drip tray by gently breaking the seal between the drip tray and drain pan.
2. Replace factory installed baffle with supplied narrow baffle. See Figure 5.

⚠ CAUTION

When installing the narrow coil baffle, make sure to align the baffle up with the holes so NOT to puncture the coil tubing.

- a. Remove the factory installed baffle assembly from the apex of the coil by using a 5/16" nut-driver to remove the screws.
- b. Replace this baffle with the factory supplied narrow coil baffle using the screws removed in step 2a.

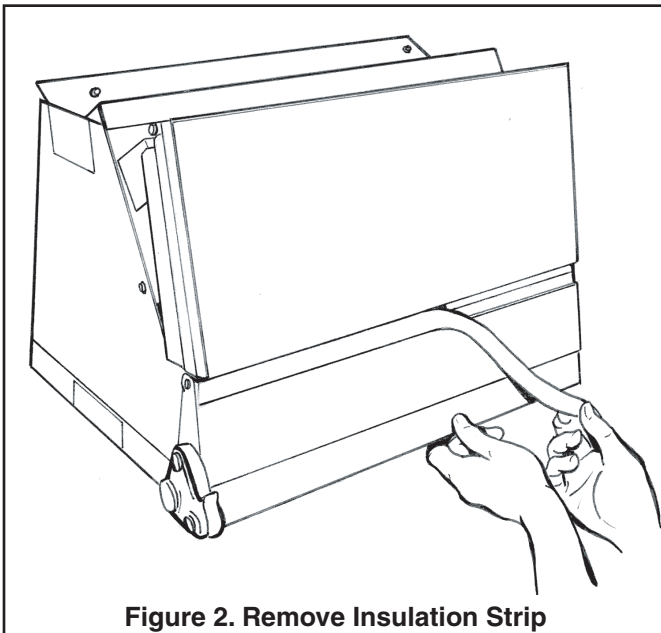


Figure 2. Remove Insulation Strip

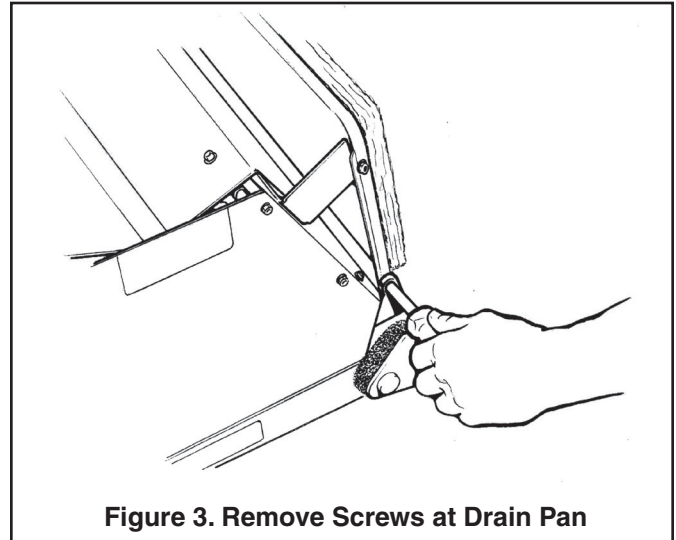


Figure 3. Remove Screws at Drain Pan

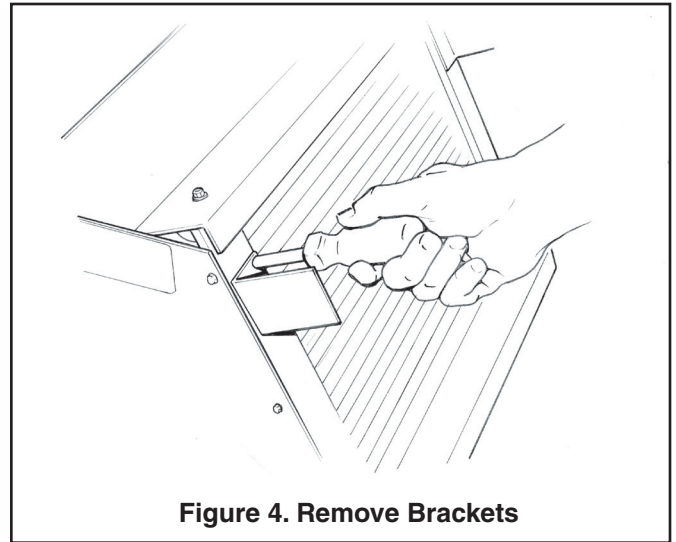


Figure 4. Remove Brackets

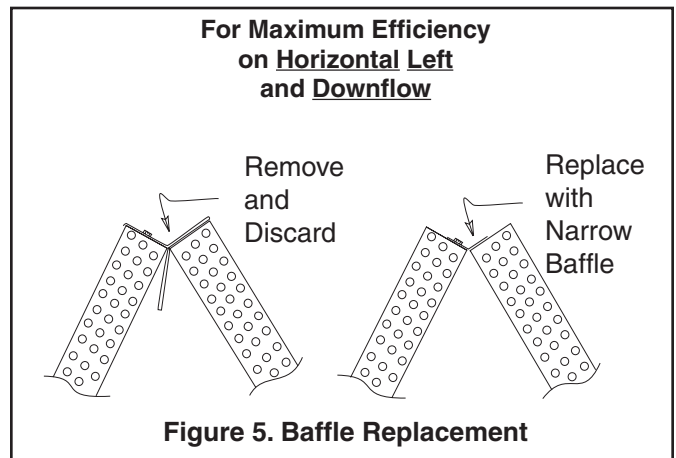
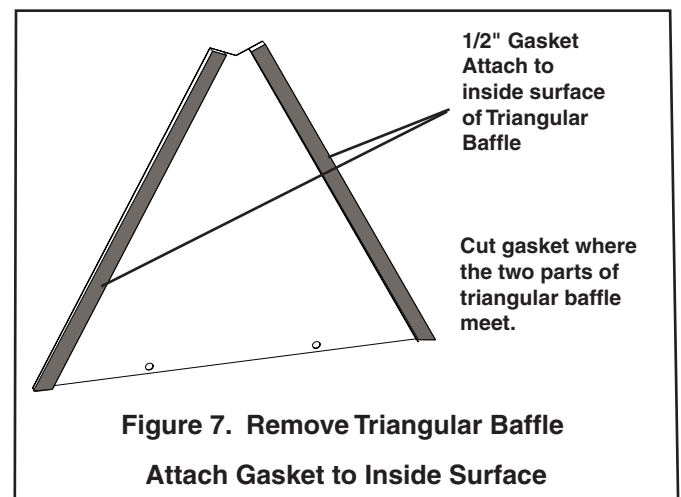
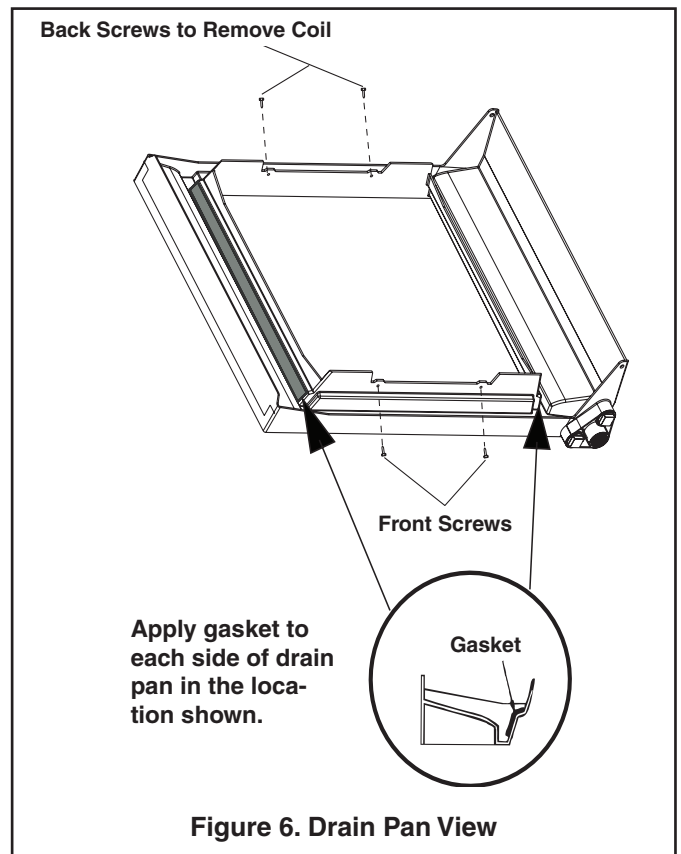


Figure 5. Baffle Replacement

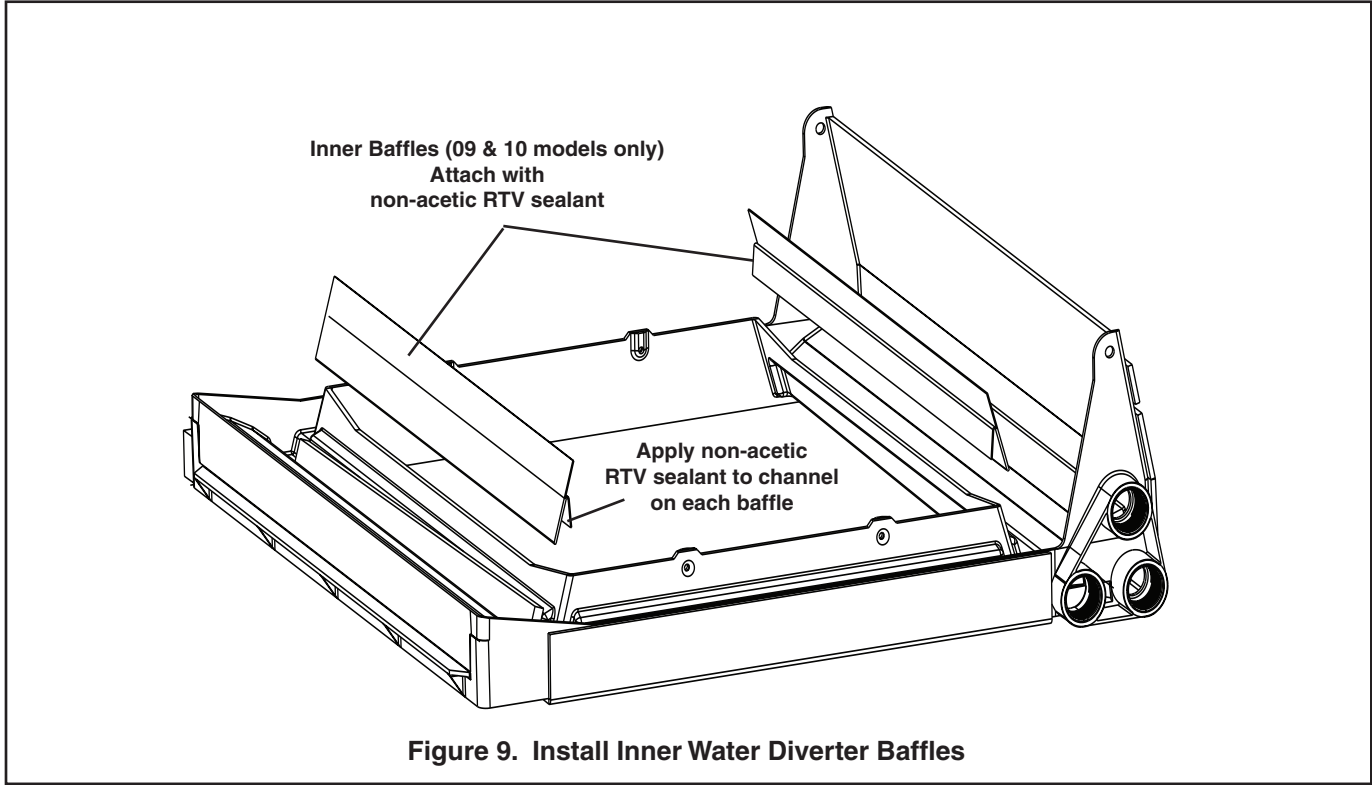
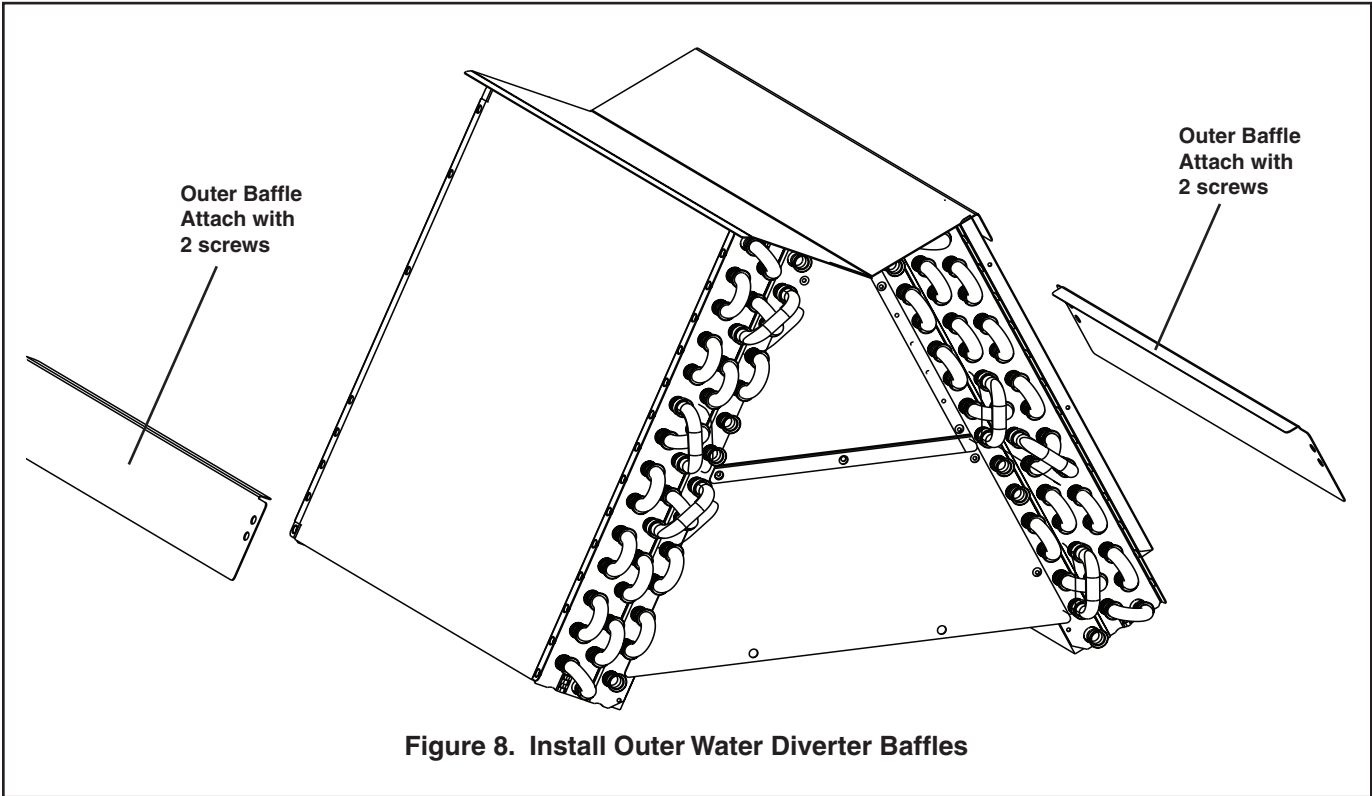
3. Remove the front shield from the coil.
4. Detach the coil from the drain pan by removing 4 screws as shown in Figure 6. Lift coil off drain pan and set coil aside.
5. Remove the front triangular baffle from the coil and install the 1/2" wide gasket provided to the inside surface of baffle per Figure 7. Trim the gasket length to fit the baffle. Cut gasket where two parts of triangular baffle meet to allow lower portion of baffle to be removed separately. Reinstall the baffle to coil, with gasket material compressed against the coil. You can place the coil on its back to simplify this step.
6. Install the outer water diverter baffles provided on each side of the coil with the flange at the top as shown in Figure 8. The bottom of the baffle is to be as close to the bottom of the coil as possible.
7. Install the 7/8" wide gasket in each side of the drain pan as shown in Figure 6. Clean drain pan if necessary and cut gasket to fit as needed.
8. The 09 & 10 models require 2 inner water diverter baffles to be placed underneath the coil on the inside edge of the drain pan. See Figure 9. Fill the bend in the baffle which fits the inner edge of the drain pan with non-acetic RTV type adhesive/sealant before installing the baffle. You can place the coil on its back to simplify this step.
9. Reinstall coil to drain pan using screws removed in step 4.
10. Place the unit with the blower side down and replace the coil on the coil channel supports with the drain connections at the bottom. The unit is now in downflow position with front access. Do not reattach coil support tab. See Figures 10 and 11 for final configuration.

NOTE: If a return duct is connected to the air handler, it must be the same dimensions as the return opening shown in the outline drawing in the unit's Installer's Guide.

IMPORTANT: Openings where field wiring enters the cabinet must be completely sealed. Location of power entry is shown on the outline drawing in the unit's Installer's Guide. Use 2.5" clear stickers to seal all unused electrical knockouts. See Figure 16.



Conversion Guide



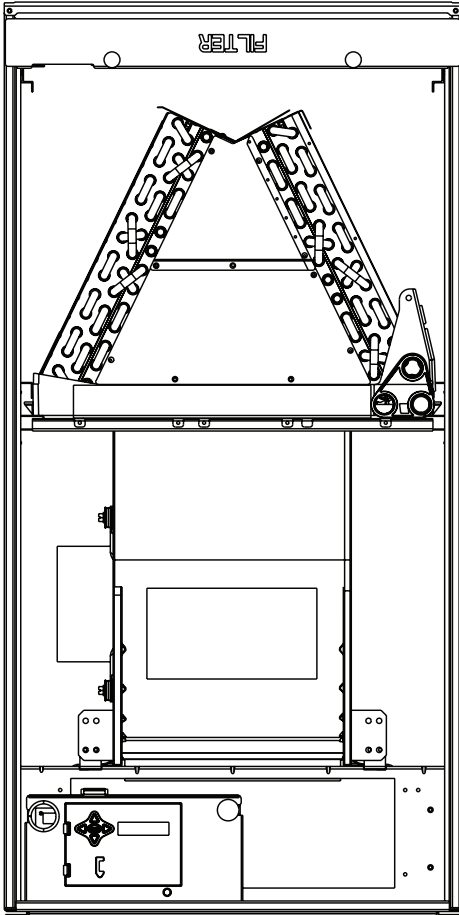


Figure 10. Converted Air Handler Panels Removed

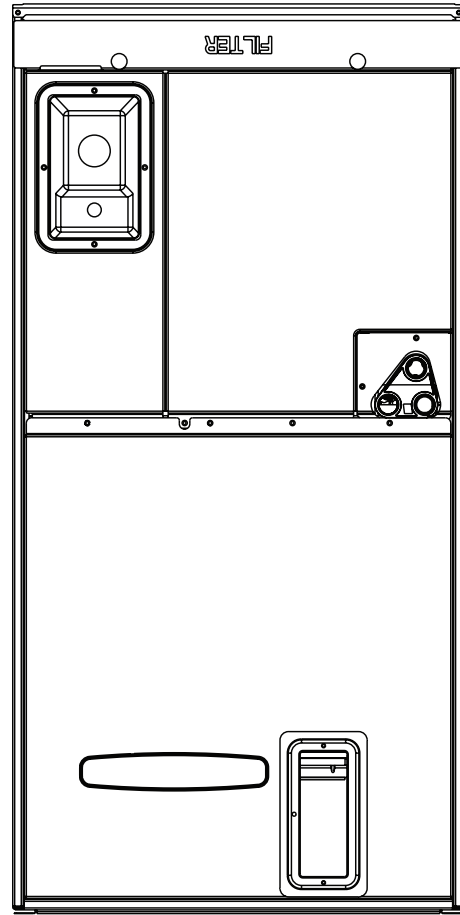
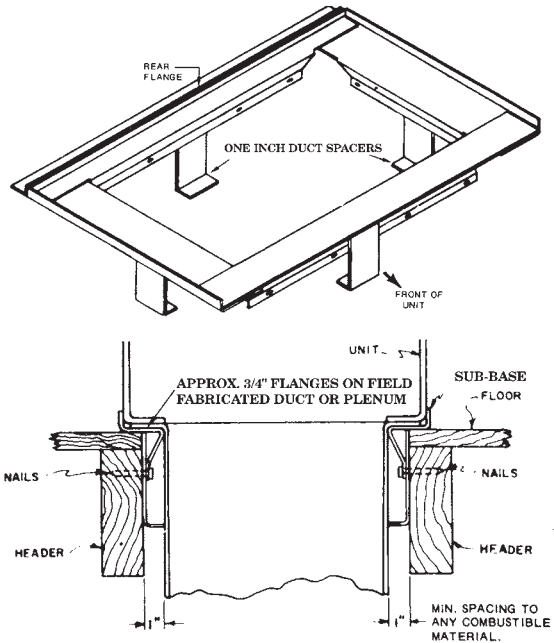
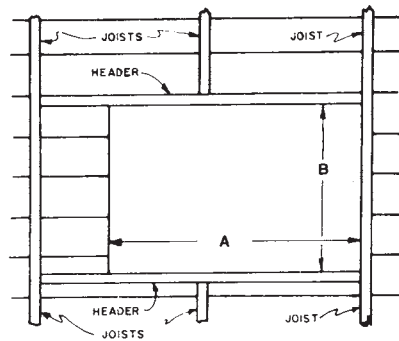


Figure 11. Converted Air Handler Panels Attached



Floor Opening Size

MODEL NO.	A	B
TAYBASE100	23-3/4	14-13/16
TAYBASE101	21-3/4	14-13/16
TAYBASE102	26-3/4	14-13/16

Figure 12. Air Handler Sub-base

Conversion Guide

UNIT CONVERSION TO HORIZONTAL LEFT

Note: For maximum efficiency and Customer ease of filter maintenance, it is recommended that a properly sized **remote filter** and grille be installed for horizontal applications. Airflow should not exceed the face velocity of the filter being used. **The factory installed filter should then be removed from the unit.**

1. To convert the unit to horizontal left, front access, slide the coil out on the coil channel supports and rotate the complete coil 180 degrees. For the 4TEE3*05, 07, 09, & 10 units the coil support tab at the top of the coil, connected to the case, must be removed first.
2. Replace factory installed baffle with supplied narrow baffle. See Figure 5.
3. Insert the coil back into the cabinet on the coil channels located near the center of the unit. Do not reattach coil support tab.
4. Rotate the coil access panel 180 degrees and install. The unit is now horizontal left with front access.

⚠ CAUTION

When installing the narrow coil baffle, make sure to align the baffle up with the holes so **NOT** to puncture the coil tubing.

- a. Remove the factory installed baffle assembly from the apex of the coil by using a 5/16" nut-driver to remove the screws.
- b. Replace this baffle with the factory supplied narrow coil baffle using the screws removed in step 2a.

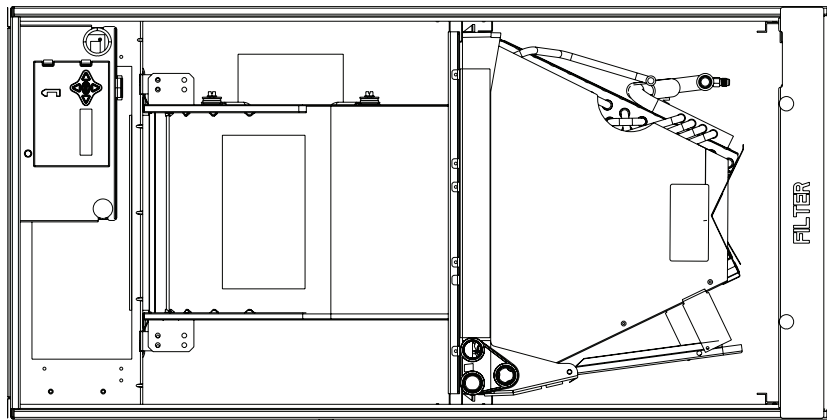


Figure 13. Horizontal Left Air Handler Panels Removed

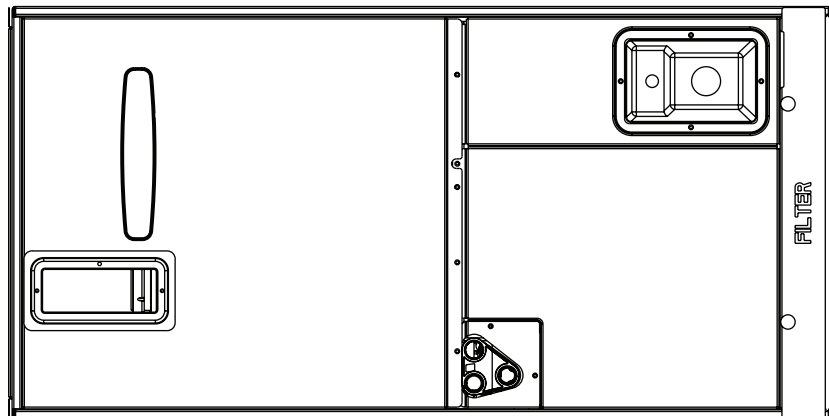


Figure 14. Horizontal Left Air Handler Panels Attached

ADDITIONAL CONSIDERATIONS

- Make certain that the unit has been installed in a level position to ensure proper draining.
- If the unit is suspended, it must be supported from the bottom near both ends as well as the middle to prevent sagging. The service access must remain unobstructed. If the unit is supported along the length of the front and back with rails, the air handler only needs to be suspended at both ends. See Figure 15.
- If the unit is not suspended it must be supported as mentioned above and isolated carefully to prevent sound transmission. Vibration isolators (field supplied) must be placed under the unit.
- It is always recommended that an auxiliary drain pan be installed under a horizontal air handler to prevent possible damage to ceilings.
- Isolate the auxiliary drain pan from the unit or from the structure.
- Connect the auxiliary drain line to a separate drain line (no trap is needed in this line) and terminate according to national and local codes.
- If a return duct is connected to the Air Handler, it must be the same dimensions as the return opening shown in the outline drawings in the Air Handler Installer's Guide.
- After ductwork connections are made, seal airtight and per Local codes.

IMPORTANT: Openings where field wiring enters the cabinet must be completely sealed.

Location of power entry is shown on the outline drawing in the unit's Installer's Guide. Use 2.5" clear stickers to seal all unused electrical knockouts. See Figure 16.

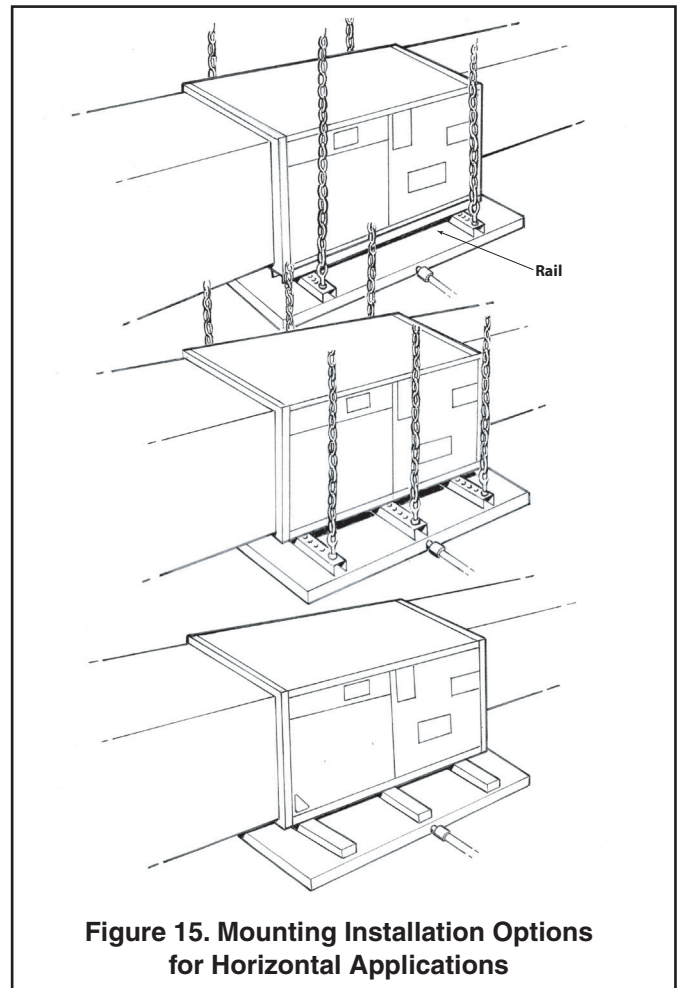


Figure 15. Mounting Installation Options for Horizontal Applications

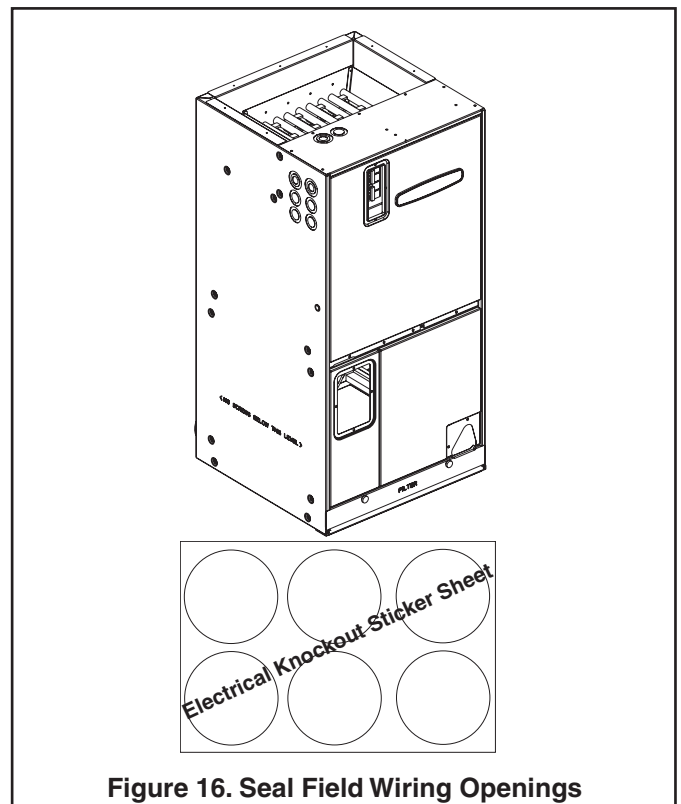


Figure 16. Seal Field Wiring Openings

Conversion Guide

Trane
6200 Troup Hwy.
Tyler, TX 75707