

INSTALLER'S GUIDE

BAYTEMDFKT1A

18-GH37D1-2A-EN

Important -- This is Customer property and is to remain with this unit. Please return to service information pack upon completion of work.

Model: **BAYTEMDFKT1A**
 Used With: **TEM3A0C60S51SA**
TEM4A0C60S51SA

Downflow Water Management Kit

ALL phases of this installation must comply with NATIONAL, STATE AND LOCAL CODES

GENERAL

These instructions are for installation of BAYTEMDFKT1A Downflow Water Management Kit. This kit is used on the TEM3A0C60S51SA and TEM4A0C60S51SA when installed in downflow applications only.

Check for any shipping damage, and if any, report it to the carrier immediately.

⚠ WARNING

THIS INFORMATION IS FOR USE BY INDIVIDUALS HAVING ADEQUATE BACKGROUNDS OF ELECTRICAL AND MECHANICAL EXPERIENCE. ANY ATTEMPT TO REPAIR A CENTRAL AIR CONDITIONING PRODUCT MAY RESULT IN PERSONAL INJURY AND/OR PROPERTY DAMAGE. THE MANUFACTURER OR SELLER CANNOT BE RESPONSIBLE FOR THE INTERPRETATION OF THIS INFORMATION, NOR CAN IT ASSUME ANY LIABILITY IN CONNECTION WITH ITS USE.

⚠ WARNING

HAZARD OF ELECTRICAL SHOCK!
 MORE THAN ONE DISCONNECT MAY BE REQUIRED TO DE-ENERGIZE EQUIPMENT FOR SERVICING.
 Failure to disconnect power before servicing can cause severe personal injury or death.

⚠ CAUTION

RECONNECT ALL GROUNDING DEVICES.
 ALL PARTS OF THIS PRODUCT THAT ARE CAPABLE OF CONDUCTING ELECTRICAL CURRENT ARE GROUNDED. IF GROUNDING WIRES, SCREWS, STRAPS, CLIPS, NUTS OR WASHERS USED TO COMPLETE A PATH TO GROUND ARE REMOVED FOR SERVICE, THEY MUST BE RETURNED TO THEIR ORIGINAL POSITION AND PROPERLY FASTENED.

⚠ CAUTION

SAFETY HAZARD
 Sharp Edge Hazard. Be careful of sharp edges on equipment or any cuts made on sheet metal while installing or servicing. Personal injury may result.

The following warning complies with State of California law, Proposition 65.

⚠ WARNING: This product contains fiberglass wool insulation! Fiberglass dust and ceramic fibers are believed by the State of California to cause cancer through inhalation. Glasswool fibers may also cause respiratory, skin, or eye irritation.

PRECAUTIONARY MEASURES:

- Avoid breathing fiberglass dust.
- Use a NIOSH approved dust/mist respirator.
- Avoid contact with the skin or eyes. Wear long-sleeved, loose-fitting clothing, gloves, and eye protection.
- Wash clothes separately from other clothing; rinse washer thoroughly.
- Operations such as sawing, blowing, tear-out, and spraying may generate fiber concentrations requiring additional respiratory protection. Use the appropriate NIOSH approved respirator in these situations.

FIRST AID MEASURES:

- Eye Contact** - Flush eyes with water to remove dust. If symptoms persist, seek medical attention.
- Skin Contact** - Wash affected areas gently with soap and warm water after handling.

KIT COMPONENTS – Refer to Figure 1 for part identification.

Item No.	Drawing No.	Description	Quantity
1	D804589P01	Pan Extension	2
2	D804620P01	Downflow Gasket	4
3	A905049P04	Screw 10-16 x 5/8	6
4	A968011P01	Gasket - .25x1.0x26	2
5	D804590P01	Pan Retainer	2
6	D804392P09	Blower Insulation	1
7	A960031P16	Aluminum Tape	1
8	18-GH37D1-2A-EN	Installer's Guide	1

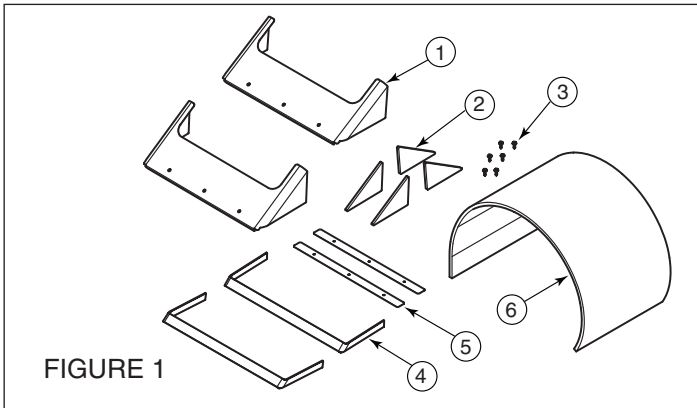


FIGURE 1

Installation of the Downflow water management kit

1. Remove the coil and drain pan assembly from the air handler if not already removed. Remove the four screws securing the drain pan to the coil assembly. Remove the coil assembly and set aside. Retain the screws for later use.
2. Apply the .25"x1" gasket material to drain pan as shown. The gasket top edge must be flush with the top of the drain pan flange. Note that in the middle where the drain pan edge is lower that the gasket goes straight across. The gasket material must wrap around each of the sides and extend just past the holes in the side of the drain pan. See Figure 2.

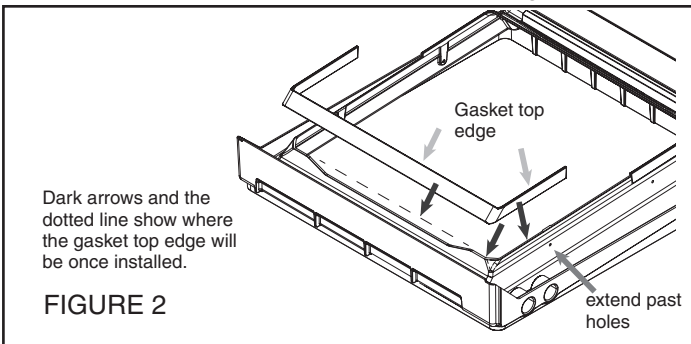


FIGURE 2

3. Attach two triangular pieces of foam to the outside of each of the two drain pan extensions aligning them with the vertical edge of the pan extension. See Figure 3.

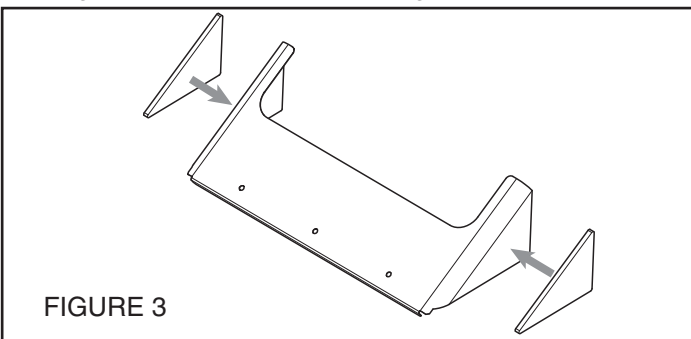


FIGURE 3

4. Line up the pan retainer with the inside drain pan flange. Slide pan extension over outer drain pan flange. Align one through hole of the pan extension to the one of the pilot holes of the retainer and secure with screw, but do not fully tighten. **The screw does not go through the drain pan.** The 90 degree angle of the extension should be flush with

the bottom of the gasket material. Repeat for other two holes. Tighten all screws hand tight. The gasket will now be sandwiched between the extension and the retainer. Repeat for other side. See figure 4.

5. Using the screws removed earlier, reattach the coil assembly to the drain pan assembly.

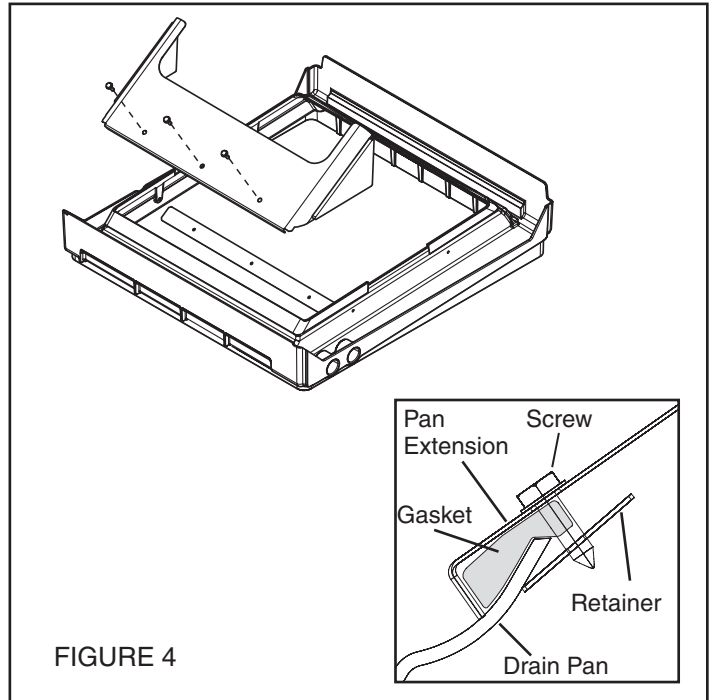


FIGURE 4

6. Remove the blower by detaching wire harness and removing four screws that hold it in place. Retain screws for later use.
7. Using the aluminum tape, secure the one end of the foil faced insulation to the back of the blower approximately 1" from the back flange. The foil side of the insulation should be visible. Wrap the fiberglass foil faced insulation around the blower housing and secure with the aluminum tape at the opposite end. Finish by taping the two remaining side edges of the foil faced insulation. There must not be any exposed edges of the insulation along its perimeter.

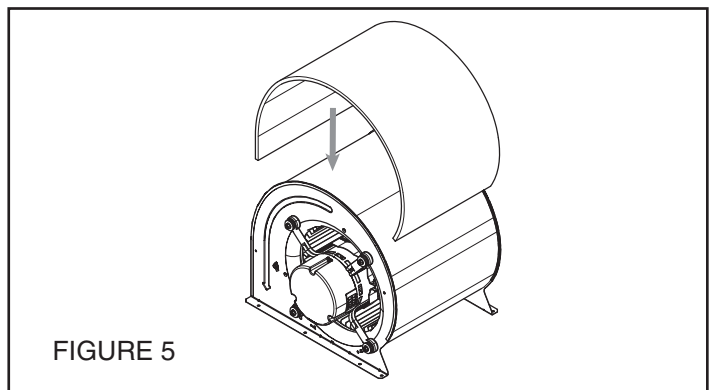


FIGURE 5

8. Reinstall the blower into the cabinet using the screws removed earlier.
9. Reinstall the coil assembly into the cabinet. See air handler installation instructions.

About Trane and American Standard Heating and Air Conditioning

Trane and American Standard create comfortable, energy efficient indoor environments for residential applications. For more information, please visit www.trane.com or www.americanstandardair.com

The manufacturer has a policy of continuous data improvement and it reserves the right to change design and specifications without notice. We are committed to using environmentally conscious print practices.