

# INSTALLER'S GUIDE

18-GH34D1-8B-EN

## BAYSPEKT201A for BAYHTR15 Series Heaters

*Important -- This is Customer property and is to remain with this unit. Please return to service information pack upon completion of work.*

Model: **BAYSPEKT201A**  
Used With Accessory Heaters:  
**BAYHTR1517BRKA,**  
**BAYHTR1523BRKA**

## Single Point Power Entry Kit

ALL phases of this installation must comply with  
NATIONAL, STATE AND LOCAL CODES

BAYSPEKT201A is certified to UL 1995.

### ⚠ WARNING

THIS INFORMATION IS FOR USE BY INDIVIDUALS HAVING ADEQUATE BACKGROUNDS OF ELECTRICAL AND MECHANICAL EXPERIENCE. ANY ATTEMPT TO REPAIR A CENTRAL AIR CONDITIONING PRODUCT MAY RESULT IN PERSONAL INJURY AND/OR PROPERTY DAMAGE. THE MANUFACTURER OR SELLER CANNOT BE RESPONSIBLE FOR THE INTERPRETATION OF THIS INFORMATION, NOR CAN IT ASSUME ANY LIABILITY IN CONNECTION WITH ITS USE.

### ⚠ WARNING

#### HAZARD OF ELECTRICAL SHOCK!

MORE THAN ONE DISCONNECT MAY BE REQUIRED TO DE-ENERGIZE EQUIPMENT FOR SERVICING.  
Failure to disconnect power before servicing can cause severe personal injury or death.

### ⚠ CAUTION

RECONNECT ALL GROUNDING DEVICES.  
ALL PARTS OF THIS PRODUCT THAT ARE CAPABLE OF CONDUCTING ELECTRICAL CURRENT ARE GROUNDED. IF GROUNDING WIRES, SCREWS, STRAPS, CLIPS, NUTS OR WASHERS USED TO COMPLETE A PATH TO GROUND ARE REMOVED FOR SERVICE, THEY MUST BE RETURNED TO THEIR ORIGINAL POSITION AND PROPERLY FASTENED.

### ⚠ CAUTION

#### SAFETY HAZARD

Sharp Edge Hazard. Be careful of sharp edges on equipment or any cuts made on sheet metal while installing or servicing. Personal injury may result.

Single Point Power Entry Kit - BAYSPEKT201A

**KIT COMPONENTS** — Refer to Figure 1 for part identification.

### GENERAL

These instructions are for installation of BAYSPEKT201A single point power entry kit in the accessory heaters listed above.

Check for any shipping damage, and if any, report it to the carrier immediately.

### IMPORTANT:

*The field electrical connections and wiring must be done in accordance with the "National Electrical Code" and must comply with local electrical codes.*

### IMPORTANT:

*Verify that the appropriate kit, heater and air handler combination have been selected.*

Before beginning the installation, verify that the available power supply complies with the requirements of the accessory heater and Air Handler unit model being used.

### IMPORTANT:

*Use the right side conduit holes for field wiring.*

Item No.	Drawing No.	Description	Quantity
1	D807763P03	Single Power Entry Jumper	1
2	A800997P01	Grounding Lug	1
3	D804573P01	Nameplate Label	1
4	18-GH34D1-8B-EN	Installer's Guide	1
5	D804349P03	Breaker Bracket	1
6	A800768P01	Insulation	1
7	D803303P01	Scr 10-32 HWH 3/8"lg.	1
8	D804573P02	Nameplate Label	1
9	D942267G02	Breaker Seal Kit	1

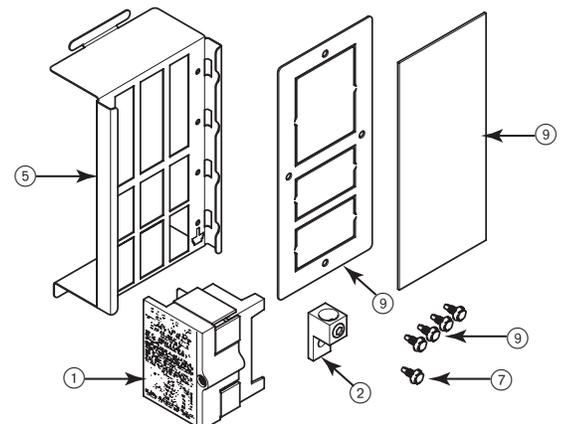


FIGURE 1

## INSTALLATION OF SINGLE POWER ENTRY KIT:

1. Install the heat strip per the Installer's Guide provided with the heat strip. Do not connect the high voltage leads or connect the block off plate until the single power entry kit is installed. The breaker disconnect mount shipped with the heater will not be used.
2. Loosen the lugs on the heat strip breakers and grounding screw. Unplug and remove the HV pigtail harness.

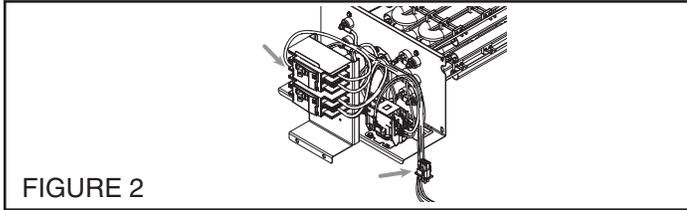


FIGURE 2

3. Remove the cover plate from the single power entry kit.

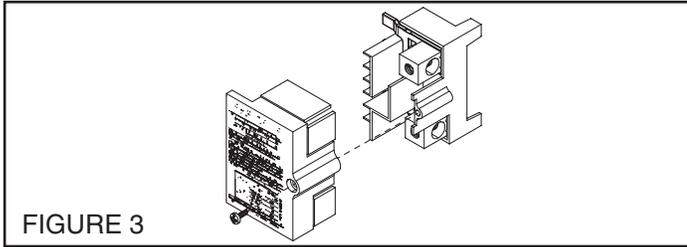


FIGURE 3

4. Insert new grounding lug into one of the new breaker/disconnect bracket slots and secure with screw included with kit.

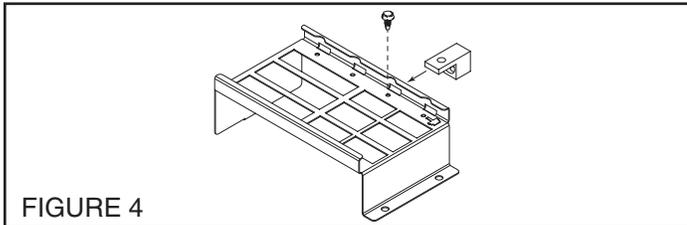


FIGURE 4

5. Insert the new breaker/disconnect bracket into the slot on the air handler top plate then rotate into place. Secure with two screws included in the heater kit. Attach the two breakers to the new bracket.

**Important: Use the Left mount position for the breaker mount bracket.**

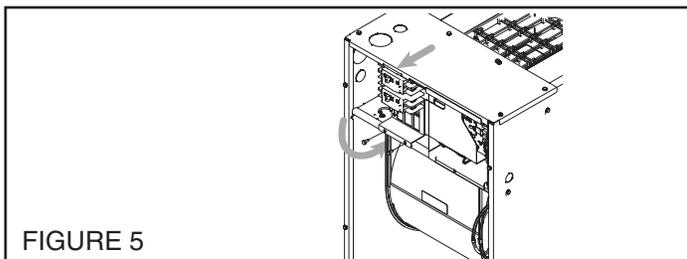


FIGURE 5

6. Insert the single power entry jumper into the breaker lugs, making sure all four tabs are bottomed out in each breaker. Tighten all four breaker lugs to a minimum of 45 lb-in of torque.

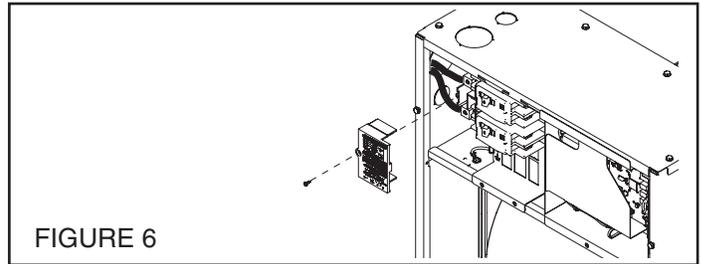


FIGURE 6

## HIGH VOLTAGE FIELD WIRING:

### NOTE:

**All field wire to be copper, rated for 75 °C minimum. Maximum field wire size is 2/0 AWG.**

7. Check to make certain the proper wire size and circuit protection are installed.
8. Connect the power supply ground wire to the ground lug installed in step 4. Connect the high voltage field wiring to the terminal block lugs on the single point power entry jumper. Tighten all wires per the torque settings on the single power entry kit cover plate. Reinstall the cover onto the single power entry jumper as shown in Figure 6.
9. Break off the two cover tabs on the side of the cover plate on the entry kit. Screw the cover plate to the entry kit.
10. Apply the appropriate nameplate label included with the single point power entry kit (Figure 7) directly over the accessory heater model on the air handler rating nameplate as shown in Figure 8. Sample shown is for 15 kW heater.
11. After the cabinet door is back in place, install the breaker seal cover kit per the directions supplied with the kit.

X	BAYHTRE15**IBRK With Single Circuit Power Source Kit BAYSPT201A **15,16,17	208	1	10.8	51.9	73	80		
		240	1	14.4	60.0	83	90		
Short-circuit current: 5kA rms symmetrical 240V maximum									
X	BAYHTRE15**IBRK With Single Circuit Power Source Kit BAYSPT201A **19,20,21,22,23	208	1	14.4	69.2	94	100		
		240	1	19.2	80.0	108	110		
Short-circuit current: 5kA rms symmetrical 240V maximum									

FIGURE 7

A		TRANE HEATER MODEL	SUPPLY VOLTS	PHASE	KW	HEATER WEGES	MIN. BRANCH CIRCUIT AMPS	MAXIMUM OVERCURRENT DEVICE	MINIMUM HEATING BLOWER SPEED	WITHOUT HEAT PUMP	WITH HEAT PUMP
		NONE					8	15			
		BAYHTRE05**H	208	1	3.60	173	30	30		LOW	LOW
			240	1	4.80	200	33	35			
		BAYHTRE10**H	208	1	7.20	346	51	60		LOW	LOW
			240	1	9.60	400	58	60			
X		BAYHTRE15**IBRK With Single Circuit Power Source Kit BAYSPT201A **15,16,17	208	1	10.8	51.9	73	80		LOW	LOW
			240	1	14.4	60.0	83	90			
Short-circuit current: 5kA rms symmetrical 240V maximum											

FIGURE 8

## LOW VOLTAGE WIRING (24 Volts):

All low voltage connections are made to the accessory heater via polarized plug. The low voltage controls are connected to the room thermostat from the air handler low voltage or pigtails.

See the field wiring diagram supplied with the air handler Installer's Guide for details and completion of high voltage and low voltage wiring.

## About Trane and American Standard Heating and Air Conditioning

Trane and American Standard create comfortable, energy efficient indoor environments for residential applications. For more information, please visit [www.trane.com](http://www.trane.com) or [www.americanstandardair.com](http://www.americanstandardair.com)

The manufacturer has a policy of continuous data improvement and it reserves the right to change design and specifications without notice. We are committed to using environmentally conscious print practices.