

SERVICE INSTALLER'S GUIDE

18-CH99D1-1

ALL phases of this installation must comply with NATIONAL, STATE AND LOCAL CODES.

Models:
BOX03706
BOX03707
BOX03708
BOX03709

Flue Box Kit

IMPORTANT—This document is customer property and is to remain with this unit.
Please return to service information pack upon completion of work.

⚠ WARNING

INSTALLATION OR REPAIRS MADE BY UNQUALIFIED PERSONS CAN RESULT IN HAZARDS TO YOU AND OTHERS. INSTALLATION MUST CONFORM WITH LOCAL CODES OR, IN THE ABSENCE OF LOCAL CODES, WITH CODES OF THE COUNTRY HAVING JURISDICTION. THE INFORMATION CONTAINED IN THESE INSTRUCTIONS IS INTENDED FOR USE BY A QUALIFIED SERVICE TECHNICIAN FAMILIAR WITH SAFETY PROCEDURES AND EQUIPPED WITH THE PROPER TOOLS AND TEST INSTRUMENTS. FAILURE TO CAREFULLY READ AND FOLLOW ALL INSTRUCTIONS IN THESE INSTRUCTIONS CAN RESULT IN FURNACE OR BOILER MALFUNCTION, PROPERTY DAMAGE, PERSONAL INJURY AND/ OR DEATH.

⚠ WARNING

Disconnect power to the unit before removing the blower door. Failure to follow this warning could result in personal injury from moving parts.

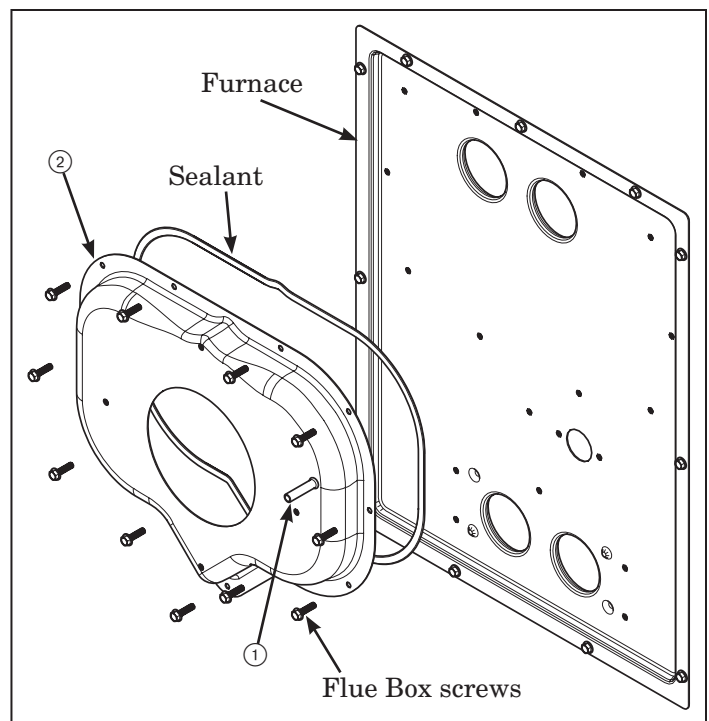
⚠ CAUTION

SHARP EDGE HAZARD!
Failure to follow this Caution could result in property damage or personal injury. Be careful of sharp edges on equipment or any cuts made on sheet metal while installing or servicing.

KIT COMPONENTS:

Use these instructions when replacing the flue box:

Item No.	Drawing No.	Description	Qty
1	A340089P01	PRESSURE SWITCH TUBE	1
2	D345926P01	FLUE BOX	1
3	18-CH99CHD1-1	INSTALLER'S GUIDE	1



Removing the flue box

1. Turn the thermostat to the off position.
2. Disconnect all electric power to the unit.
3. Shut off the gas supply to unit.
4. Remove the furnace door.
5. Remove the inducer assembly. Retain the screws for reinstallation.
6. Disconnect the pressure switch tubing from the flue box.
7. Remove the flue box. Retain the screws for installation of the new flue box.
8. Clean the heat exchanger surface.

Note: Make sure to remove all gasket material.

Installing the new flue box

9. Apply sealant to the back of the new flue box. Apply 1/8" diameter bead contiguous around perimeter.

Note: Sealant bead should go around holes as shown in illustration.

Note: Sealant material must be Permatex Ultra Copper RTV Silicon Gasket or Loctite SI 5920 Cooper.

10. Install the new flue box to the heat exchanger using the screws removed earlier.

Note: Use torque wrench and tighten screws to 30-35 in.-lbs.

11. Reinstall inducer assembly.

Note: Use torque wrench and tighten screws to 30-35 in.-lbs.

12. Reconnect the pressure switch tubing onto the pressure port on the new flue box.

13. Reinstall the furnace door.

14. Turn on gas to the furnace.

15. Turn on power to the furnace.

16. Turn the thermostat back to the desired setting.

