



BAYLPSS410B

Propane Conversion Kit for S8 & A8-A026 Furnaces

ALL phases of this installation must comply with NATIONAL, STATE AND LOCAL CODES

IMPORTANT — This Document is **customer property** and is to remain with this unit. Please return to service information pack upon completion of work.

⚠ WARNING

This conversion kit shall be installed by a qualified service agency in accordance with manufacturer's instructions and all applicable codes and requirements of the authority having jurisdiction. If the information in these instructions is not followed exactly, a fire, explosion or production of carbon monoxide may result causing property damage, personal injury or loss of life. The qualified service agency is responsible for the proper installation of the kit. The installation is not proper and complete until the operation of the converted furnace is checked as specified in the manufacturer's instructions supplied with the kit.

⚠ WARNING

EXPLOSION HAZARD

Failure to follow this warning could result in serious personal injury, property damage, or death. Propane gas is heavier than air and may collect in any low areas or confined spaces. In addition, odorant fade may make the gas undetectable except with a warning device. If the gas furnace is installed in a basement, an excavated area, or confined space, it is strongly recommended to contact a gas supplier to install a gas detecting warning device in case of a leak. The manufacturer of your furnace does not test any detectors and makes no representations regarding any brand of detector.

A. GENERAL

These instructions describe converting gas furnaces from natural gas to propane gas.

Conversion from natural gas to propane gas is a critical procedure, therefore, these INSTRUCTIONS MUST BE FOLLOWED CLOSELY.

PROPANE ORIFICE		
MODELS IN 1000's BTUH	QUANTITY OF ORIFICE	ORIFICE SIZE
26	2	59

EACH KIT CONTAINS:

Qty	Description	Part Number
2	Burner	D345196P02
1	Installer's Guide	18-CH98D1-2-EN
2	Orifice main burner #59	B138253P31
1	Propane Label	B342003P13
1	Conversion Responsibility Label	B342003P13
1	Kit Spring Conversion	A138928P01
1	Pressure Tap Adapter Kit (KIT07611)	A342055P01

⚠ WARNING

This product can expose you to chemicals, including lead, which are known to the State of California to cause cancer and birth defects of other reproductive harm. For more information go to www.p65Warnings.ca.gov.

B. INSPECTION

1. Unpack all components of the propane conversion kit.
2. Check carefully for any shipping damage. If any damage is found, this must be reported immediately and a claim made against the transportation company.
3. Check to be sure all components are in the package. Any missing components should be reported to your supplier at once and replaced with authorized components only.

⚠ WARNING

Replace and/or tighten all plugs removed or loosened when adjusting gas pressure. Leak check the fittings before placing the furnace into regular service. Failure to follow this warning could result in fire, explosion or property damage.

C. CONVERSION INSTRUCTIONS:

S-Series Furnaces

⚠ WARNING

INSTALLATION WARNING – HIGH VOLTAGE MOVING PARTS
Bodily injury can result from high voltage electrical components, fast moving fans, and combustible gas. For protection from these inherent hazards during installation and servicing, the main gas valve must be turned off and the electrical supply must be disconnected. If operating checks must be performed with the unit operating, it is the technician's responsibility to recognize these hazards and proceed safely.

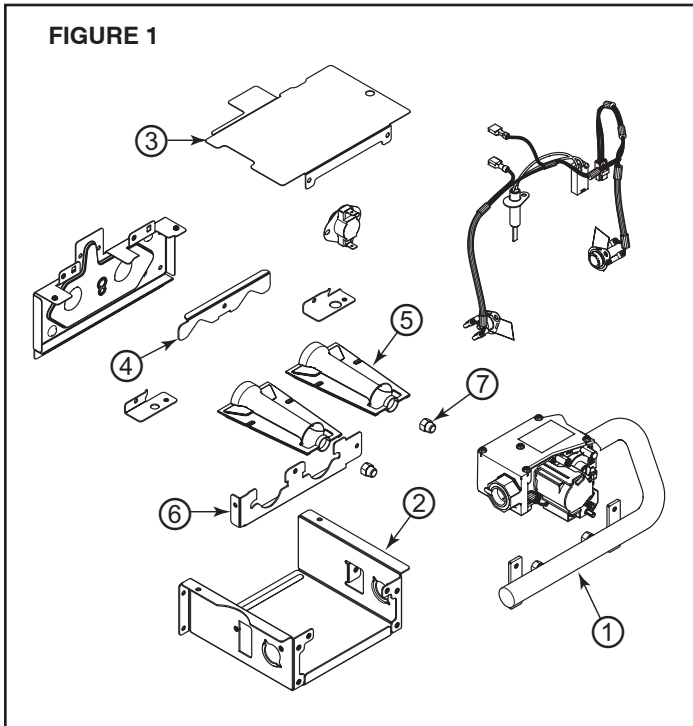
Failure to follow this Warning could result in property damage, severe personal injury, or death.

⚠ CAUTION

The gas supply shall be shut off prior to disconnecting the electrical power, before proceeding with the conversion.

1. Turn off the gas supply and electrical power. Set the thermostat to off position.
2. Remove the electrical connector from the gas valve.
Note: Failure to disconnect the connector could lead to premature failure of the gas valve due to damage to the connection terminals.
3. Remove screws and detach manifold pipe (item 1) from burner box (item 2). See Figure 1 for references.
4. Remove screws and detach burner plate (item 3) from burner box.

FIGURE 1



5. Remove screws and detach burner clamp (item 4) from burner box.

⚠ CAUTION

When removing extreme right and left burners, use caution not to break the ignitor assemblies and flame sensors.

6. Remove all burners (item 5) from the burner holder (item 6). Discard burners.
7. Record the orifice depth prior to removing all the main burner natural gas orifices(s) (item 7). Remove & discard the natural gas orifices.
8. Install the #59 propane orifices to the same depth as the orifices supplied with the equipment.

⚠ CAUTION

Check the ignitor and flame sensor alignments when replacing extreme right and left burners, use caution not to break the ignitor assemblies.

9. Install stainless steel burners supplied with kit.
10. Re-install burner clamp to burner box.
11. Re-install burner plate to burner box.
12. Re-install manifold pipe to burner box.

Models using the 36J single-stage gas valve:

See Figures 2 and 3.

13. Perform the following steps to install the LP Spring:
 - a. Remove the 1st Stage (LO) regulator screw cap. Retain the screw cap for reassembly.
 - b. Turn the plastic adjustment screw counter-clockwise until the screw can be easily removed.
 - c. Carefully remove the natural gas spring with piece of thermostat wire or similar material.

⚠ CAUTION

Be careful not to damage the engagement threads of the spring cavity.

- d. Discard the natural gas spring and insert the "white colored" LP spring. Center the spring within the cavity to avoid damaging the spring or cross threading the adjustment screw.
- e. Re-install the plastic adjustment screw turning it clockwise approximately 4-5 turns.

**FIGURE 2
SINGLE STAGE GAS VALVE ONLY**

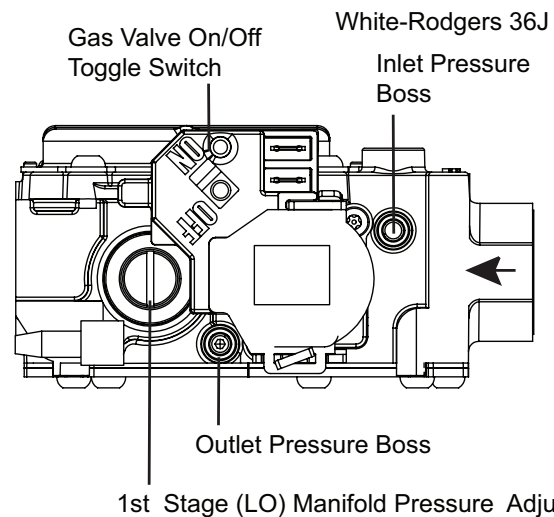
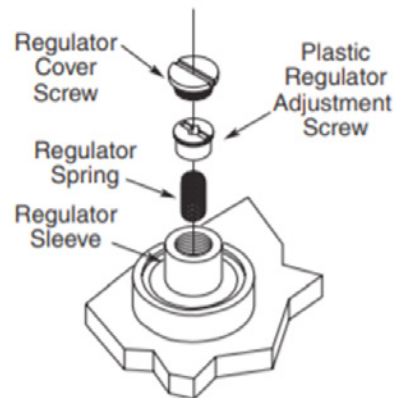


FIGURE 3



14. Apply "PROPANE" label to the rating plate of the furnace.
15. Apply conversion label to the front of the furnace.
16. Fill out the Conversion Responsibility Label and apply to the inside of the furnace door.
17. Turn on gas supply and electrical power.
18. For complete detailed sequence of operation, refer to the installation instructions or Service Facts with the furnace.
19. Set the thermostat to call for operation.
20. Check the complete operation of the unit. Check the manifold gas pressure **as specified in the installation instructions of the furnace Installer's Guide.**

D. GAS VALVE ADJUSTMENT

Changes can be made by adjusting the manifold pressure, or changing orifices (orifice change may not always be required). To adjust the manifold pressure:

1. Turn off all electrical power to the system.
2. Loosen (Do Not remove) the pressure tap test set screw one turn with 3/32" hex wrench.
Note: The pressure tap adjustment kit (KIT07611) contains a 3/32" hex wrench, a 5/16" hose and a connector and can be ordered through Global Parts.
3. Attach a manifold pressure gauge with flexible tubing to the outlet pressure boss marked "OUT P" on White- Rodgers gas valve model 36J.
4. Turn on system power and make a call for heating.
5. To adjust outlet pressure, remove the adjustment regulator cover screw.
 - a. To increase outlet pressure, turn the regulator adjust screw clockwise.
 - b. To decrease outlet pressure, turn the regulator adjust screw counterclockwise.
 - c. Adjust regulator until pressure shown on manometer matches the pressure specified in the table.
Note: Maximum pressure to the gas valve for natural gas is 13.8" W.C. Minimum pressure is 5.0" W.C. Maximum pressure to the gas valve for propane is 13.8" W.C. Minimum pressure is 11.0" W.C.
 The input of no more than nameplate rating and no less than 93% of the nameplate rating, unless the unit is de-rated for high altitude. See high altitude kit for de-rating instructions when installing above 2000 ft.
 - d. Replace and tighten the regulator cover screw securely.

Fuel Manifold Pressure Settings (inches w.c.)		
Models	Fuel	Manifold Settings
S8 & A8-A026	Natural Gas	3.5" W.C.
	Propane Gas	10.0" W.C.

6. Cycle the valve several times to verify regulator setting.
 - a. Repeat steps 5-6 if needed.
7. Turn off all electrical power to the system.
8. Remove the manometer and flexible tubing and tighten the pressure tap screw.
9. Using a leak detection solution or soap suds, check for leaks at the pressure outlet boss and pressure tap test screw.
10. Turn on system power and check operation of the unit.

E. AIRFLOW ADJUSTMENT

1. Check inlet and outlet air temperatures to make sure they are within the ranges specified on the furnace rating nameplate.
 If the airflow needs to be increased or decreased, see the Installer's Guide for information on changing the speed of the blower motor.

About Trane and American Standard Heating and Air Conditioning

Trane and American Standard create comfortable, energy efficient indoor environments for residential applications. For more information, please visit www.trane.com or www.americanstandardair.com

The manufacturer has a policy of continuous data improvement and it reserves the right to change design and specifications without notice. We are committed to using environmentally conscious print practices.