

INSTALLER'S GUIDE

18-CH95D1-1B-EN

ALL phases of this installation must comply with NATIONAL, STATE AND LOCAL CODES

Downflow Adapter Kit: BAYVENT600A

Fits Models:

S8-Series

80% Furnaces

B, C, D size Cabinets

IMPORTANT — This Document is customer property and is to remain with this unit. Please return to service information pack upon completion of work.

Section 1. Safety Information

⚠ WARNING

SAFETY HAZARD! This information is intended for use by individuals possessing adequate backgrounds of electrical and mechanical experience. Any attempt to repair an HVAC product may result in personal injury and/or property damage. The manufacturer or seller cannot be responsible for the interpretation of this information, nor can it assume any liability in connection with its use.

⚠ CAUTION

SAFETY HAZARD! Sharp Edge Hazard. Be careful of sharp edges on equipment or any cuts made on sheet metal while installing or servicing. Personal injury may result.

⚠ CAUTION

SAFETY HAZARD! Hot surface hazard. Make sure all wires are secured so they do not touch any hot surfaces. Insulation could melt and cause electrical shorts, blown fuses, or other damage. Equipment damage may result.

Important: Do not screw, cut, or otherwise puncture the unit cabinet in any location other than those illustrated in this Installer's Guide or in an approved accessory's Installer's Guide.

Note: When removing and installing screws, use the low torque setting on the electric screw driver.

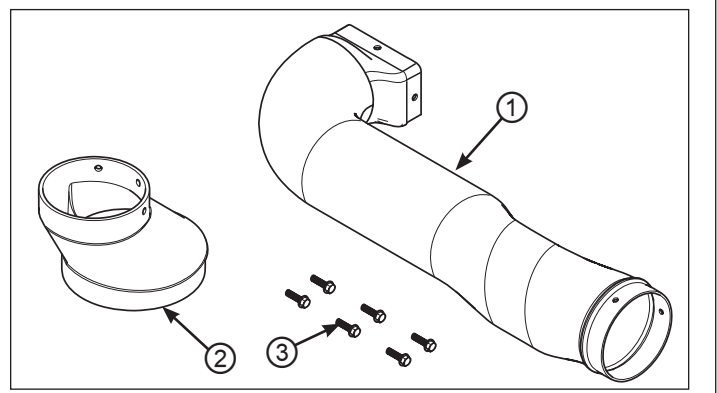
Section 2. General Information

For furnaces in the downflow orientation, this kit allows venting out the top by using an adapter to run the vent through the inside of the furnace cabinet. This kit MAY NOT be used in any upflow or horizontal applications.

Open and inspect contents for damage or missing items.

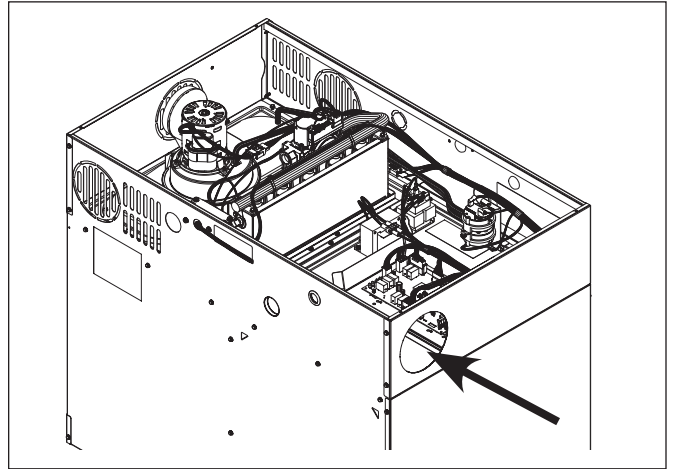
Each kit will contain:

Item	Qty	Description
1	1	S8 Downflow Adapter
2	1	S8 Downflow Flue Connector
3	6	Screw, 5/16" Hex Head Stl/Zn
4	1	Installer's Guide



Section 3. Install the Downflow Adapter Kit.

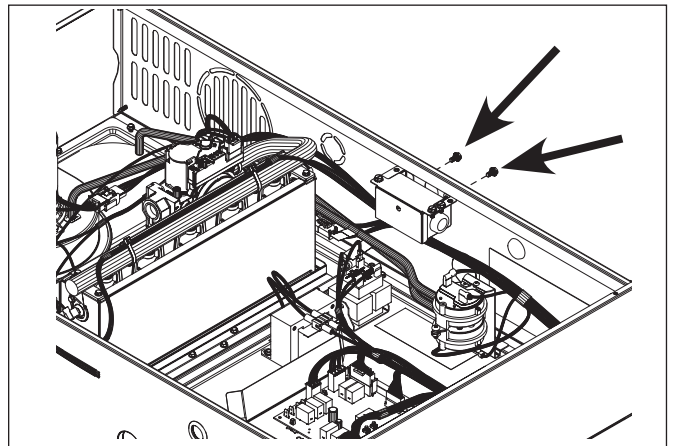
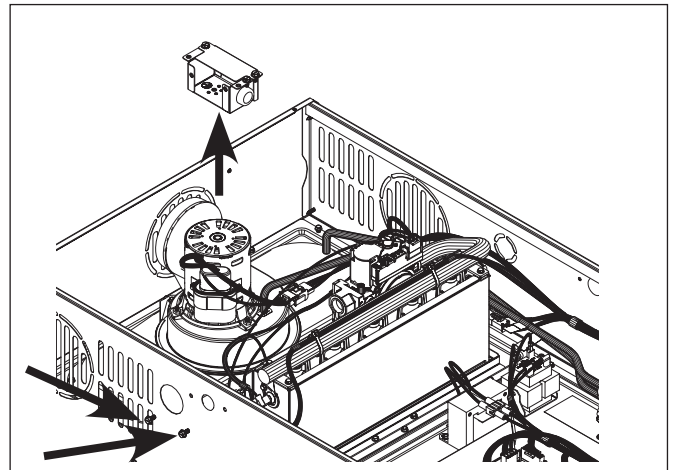
STEP 1 - For ease of installation, lay the furnace on its back. Remove the knockout for the downflow vent.



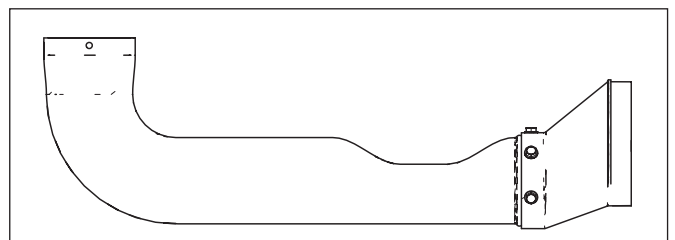
Important: The junction box must be moved to keep wires away from the hot surface of the vent kit.

STEP 2 - Remove the junction box. Reinstall on the opposite side of the furnace cabinet. Locator dimples are on the cabinet.

Important: After the junction box assembly is moved, all wires that were moved must be secured with field supplied wire ties.



STEP 3 - From the BAYVENT600A kit, align the holes on the downflow adapter and the flue connector. Attach with 3 screws supplied in the kit.



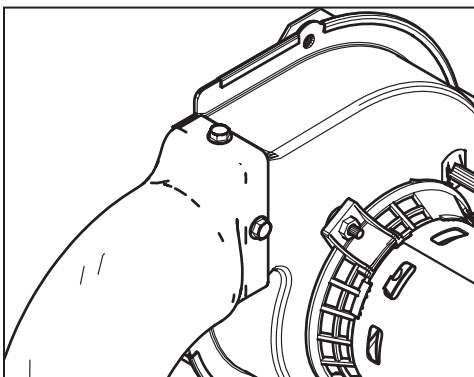
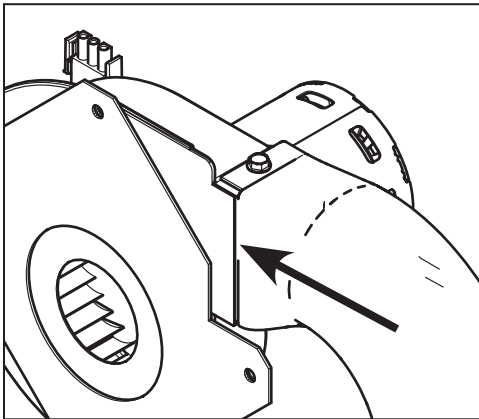
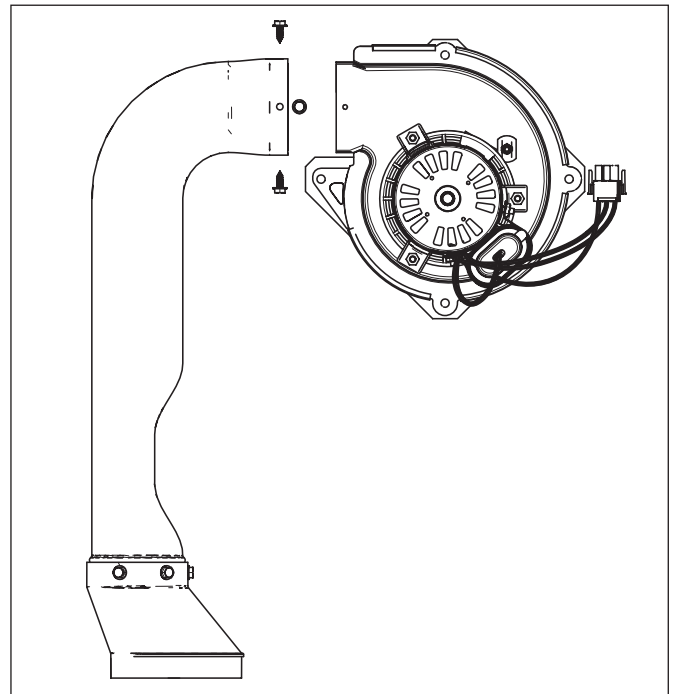
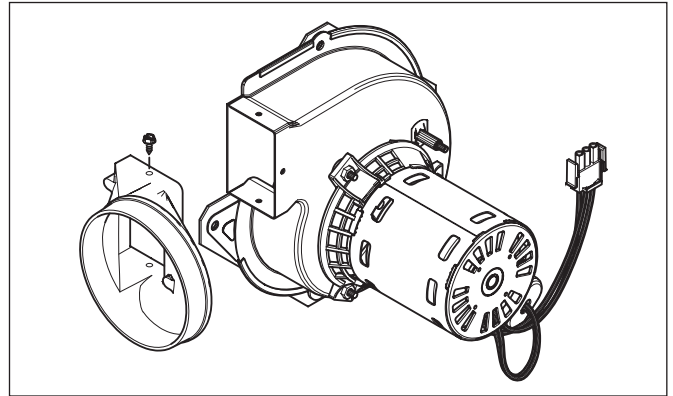
STEP 4 - Disconnect the inducer harness then remove the four screws holding the inducer assembly in place. Retain screws for reinstallation.

STEP 5 - Remove the flue connector from the inducer. Discard the adapter and screws.

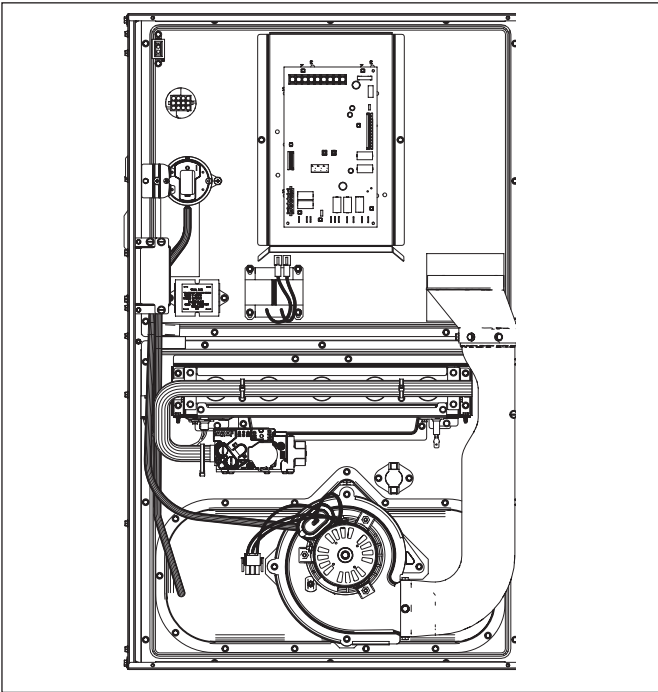
NOTE: Do not disturb the insulation gasket on the back of the inducer.

Important: When attaching the downflow adapter to the inducer assembly, the back flange on the downflow adapter fits inside the inducer outlet opening. The other three flanges on the downflow adapter will be on the outside of the inducer outlet. See illustrations below.

STEP 6 - Attach the downflow adapter assembly to the inducer using 3 screws supplied with the kit.



STEP 7 - Reinstall the inducer assembly with the down-flow adapter assembly into the new rotated inducer position. Attach with the four screws removed earlier. Reconnect the inducer harness.



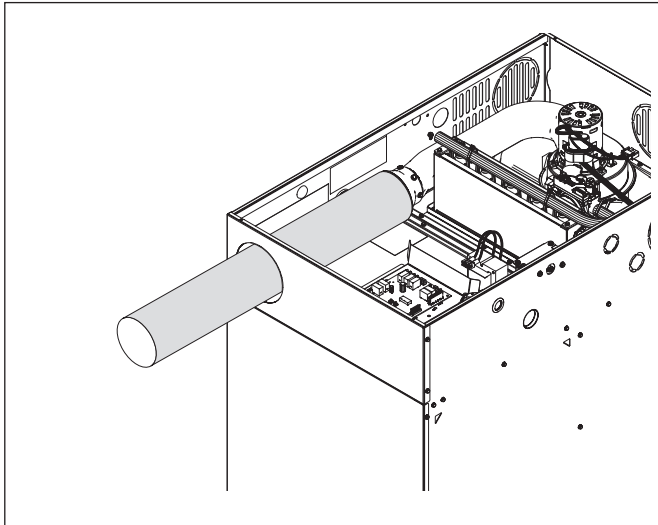
Important: Type B Vent pipe must be used within the cabinet interior.

STEP 8 - Install 4" Type B Vent pipe onto the flue connector and secure as required by code.

Option 1: Install an 18" minimum length 4" Type B Vent pipe onto the flue connector.

Option 2: For installations using a filter above the unit, install a 12" minimum length 4" Type B Vent with elbow onto the flue connector.

NOTE: Self-tapping screws are recommended for attaching the B Vent pipe to the inducer outlet.

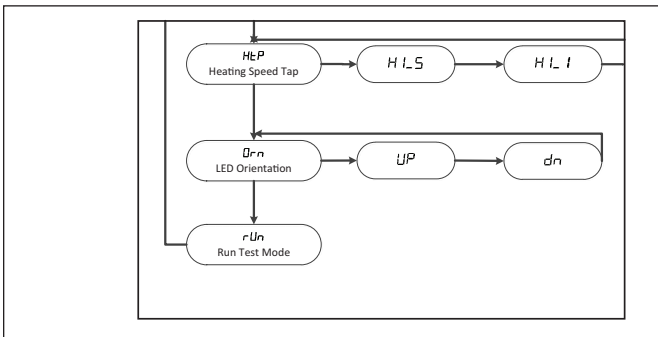


STEP 9 - Ensure all wires are secured and not touching any hot surfaces. Secure as needed with field supplied wire ties.

⚠ CAUTION

SAFETY HAZARD! Hot surface hazard. Make sure all wires are secured so they do not touch any hot surfaces. Insulation could melt and cause electrical shorts, blown fuses, or other damage. Equipment damage may result.

STEP 10 - After power is turned on to the furnace, go to the Control Menu and change the orientation (Dn) by selecting Down (dn).



About Trane and American Standard Heating and Air Conditioning
 Trane and American Standard create comfortable, energy efficient indoor environments for residential applications.
 For more information, please visit www.trane.com or www.americanstandardair.com

The manufacturer has a policy of continuous data improvement and it reserves the right to change design and specifications without notice. We are committed to using environmentally conscious print practices.