

INSTALLER'S GUIDE

18-CH86D1-1A-EN

ALL phases of this installation must comply with NATIONAL, STATE AND LOCAL CODES

Slim Fit Filter Box Kit:

For S-Series Furnace

BAYSF1165AAA - SV92xxxAxxxUxx; SV92xxxBxxxUxx; SV92xxxCxxxUxx;
SV92xxxDxxxUxx

IMPORTANT—*This Document is customer property and is to remain with this unit. Please return to service information pack upon completion of work.*

Section 1. Safety Information

⚠ WARNING

SAFETY HAZARD! This information is intended for use by individuals possessing adequate backgrounds of electrical and mechanical experience. Any attempt to repair a central air conditioning product may result in personal injury and/or property damage. The manufacturer or seller cannot be responsible for the interpretation of this information, nor can it assume any liability in connection with its use.

⚠ CAUTION

SAFETY HAZARD! Sharp Edge Hazard. Be careful of sharp edges on equipment or any cuts made on sheet metal while installing or servicing. Personal injury may result.

Section 2. General Information

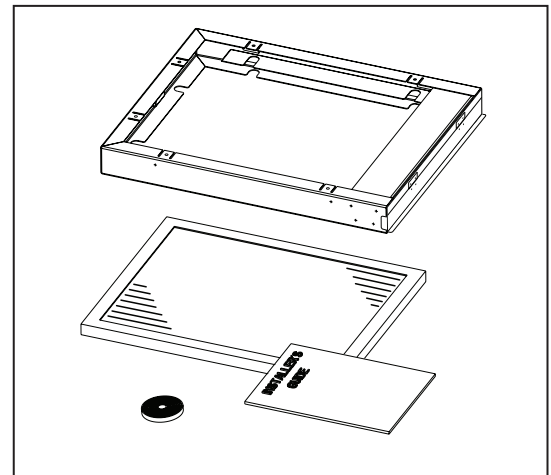
Open and inspect contents for damage or missing items.

Each kit will contain:

- 1 - Frame assembly
- 1 - Filter
- 1 - Foam Gasket Roll
- 1 - Installer's Guide

Dimensions:

Unit	Filter
16.625"W x 20.375"L x 2"H	16"W x 20"L x 1" Max



Section 3. Installation

Step 1 - Open the filter box door and slide the filter out of the filter frame. Install gasket on "hinge" side of filter frame. (Fig. 1)

Step 2 - Align the filter frame assembly for a flush fit with the screw heads on the furnace, and the filter frame door facing the front of the furnace cabinet. Using Phillips pan head screws, attach the frame assembly to the side of the air handler cabinet. (Fig.2)
NOTE: Very little torque is required. A high torque setting may strip out the cabinet frame.

Step 3 - Insert the filter into the frame assembly. Check for correct air flow direction on air filter. (Fig.3)

Step 4 - Continue the installation using the furnace Installer's Guide.

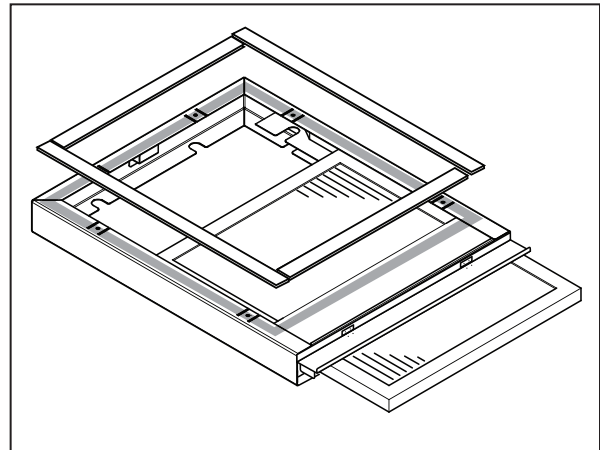


Fig. 1 - Slide filter out of frame. Apply gasket to frame as shown.

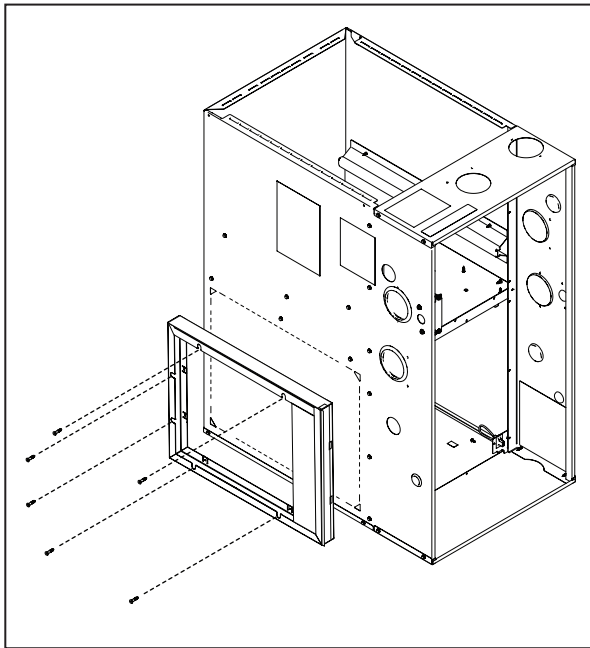


Fig. 2 - Attach frame assembly to air handler.

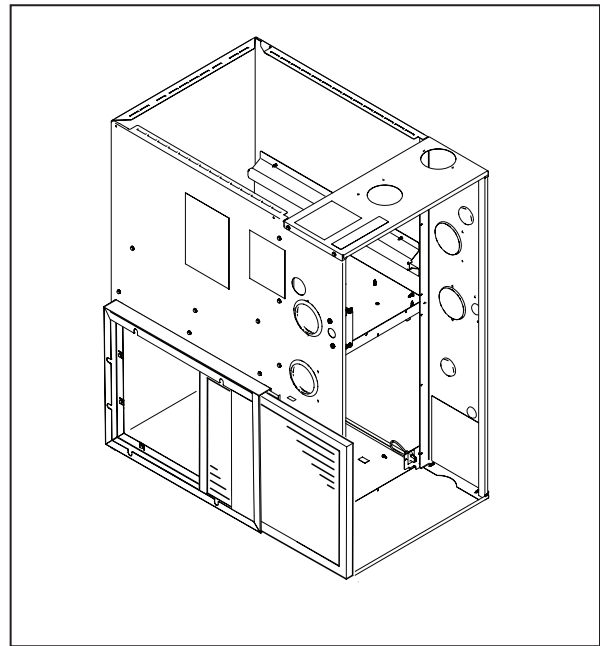


Fig. 3 - Insert filter into the frame assembly.

About Trane and American Standard Heating and Air Conditioning

Trane and American Standard create comfortable, energy efficient indoor environments for residential applications. For more information, please visit www.trane.com or www.americanstandardair.com

The manufacturer has a policy of continuous data improvement and it reserves the right to change design and specifications without notice. We are committed to using environmentally conscious print practices.