

INSTALLER'S GUIDE

18-CH81D1-1A-EN

ALL phases of this installation must comply with
NATIONAL, STATE AND LOCAL CODES

Horizontal Hanging Kit: BAYHANG

Fits Models:

S-Series
Furnaces

IMPORTANT — This Document is customer property and is to remain with this unit. Please return to service information pack upon completion of work.

Section 1. Safety Information

⚠ WARNING

SAFETY HAZARD! This information is intended for use by individuals possessing adequate backgrounds of electrical and mechanical experience. Any attempt to repair a central air conditioning product may result in personal injury and/or property damage. The manufacturer or seller cannot be responsible for the interpretation of this information, nor can it assume any liability in connection with its use.

⚠ WARNING

SAFETY HAZARD! Sharp Edge Hazard. Be careful of sharp edges on equipment or any cuts made on sheet metal while installing or servicing. Personal injury may result.

Important: Do not screw, cut, or otherwise puncture the unit cabinet in any location other than those illustrated in this Installer's Guide or in an approved accessory's Installer's Guide.

Important: If applicable, make certain that the unit has been installed in a level position to ensure proper draining.

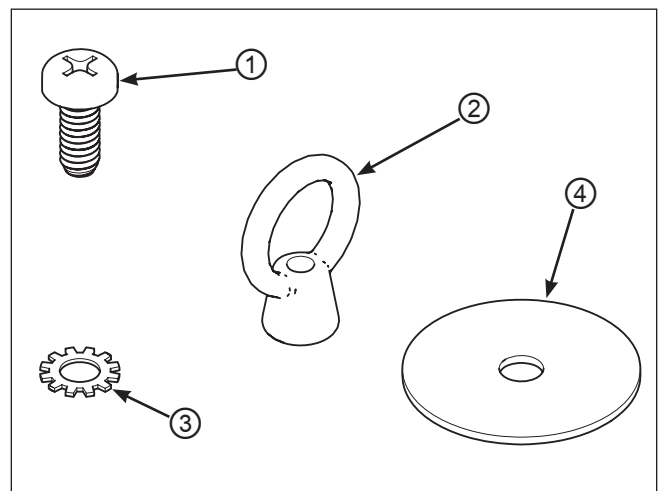
Important: Under no condition should metal strapping be attached to the unit to be used as support mechanisms for carrying or suspension purposes.

Section 2. General Information

Open and inspect contents for damage or missing items.

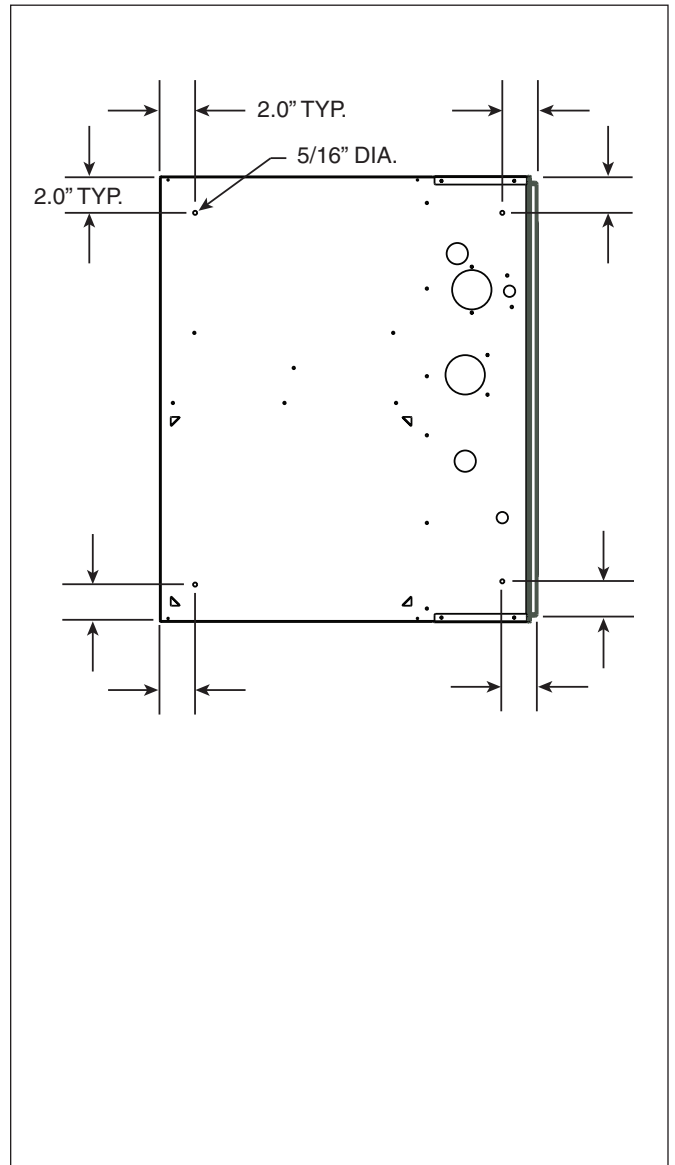
Each kit will contain:

Item	Qty	Description
1	4	1" SS Screw
2	4	Nut, Lifting Eye, SS
3	4	Lock Washer, SS
4	8	Flat Washer, SS
5	1	Installer's Guide

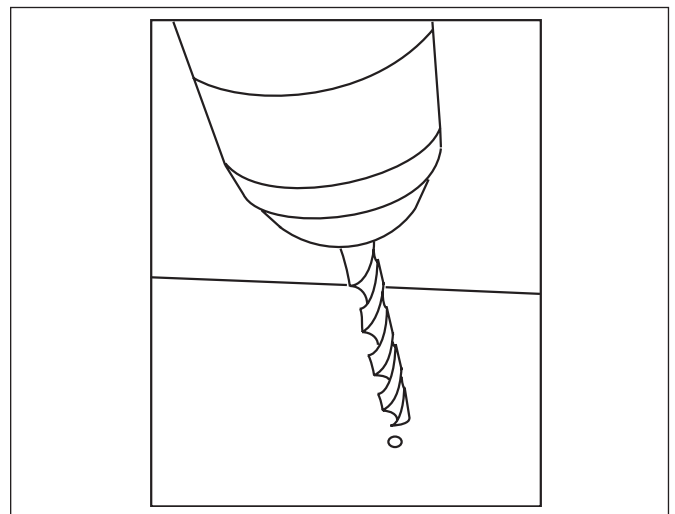


Section 3. Install the Hanging Bracket Kit.

STEP 1 - Use the illustration to locate and mark the four positions for the lifting eyes on the outer side of the cabinet.



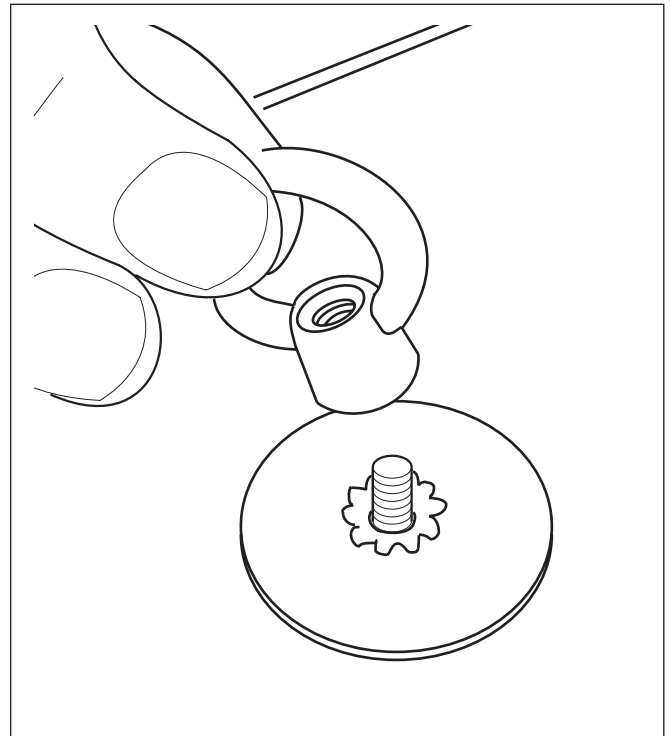
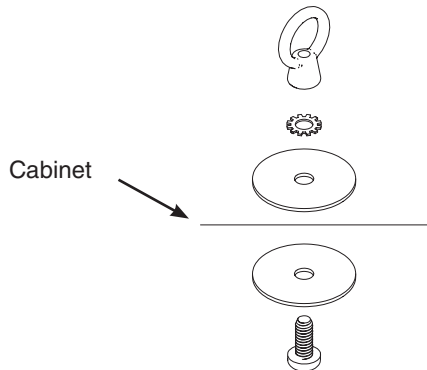
STEP 2 - Use a 5/16 inch bit to drill through the cabinet at the four marked locations. Use a low speed and low pressure to make each penetration.



STEP 3 - Insert one of the 1" screws through a flat washer and then through the cabinet wall at one of the hole locations.

STEP 4 - Place the flat washer and star washer on the screw section protruding outside of the cabinet. Thread the hanging clip into the screw and secure.

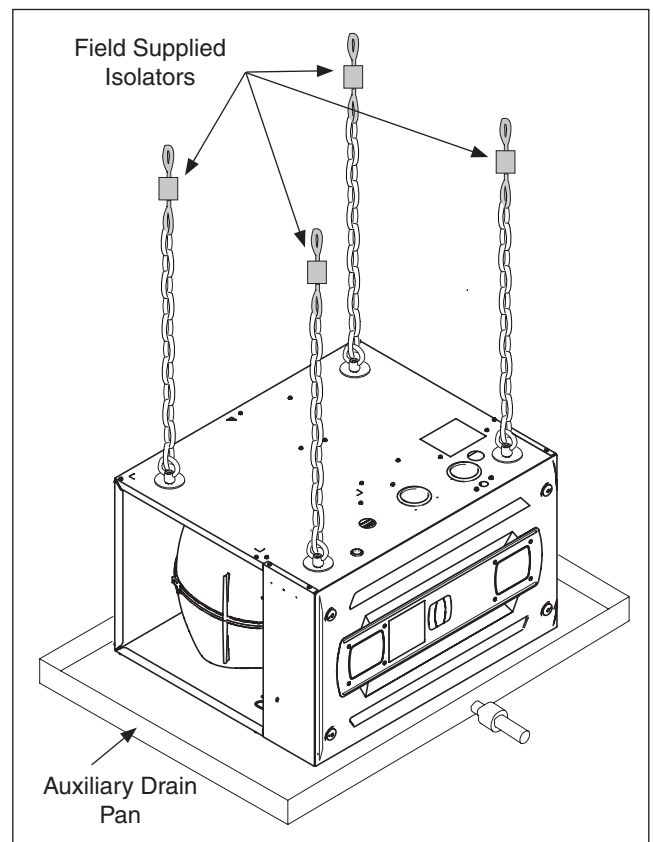
STEP 5 - Repeat for the other three lifting eye nuts.



Important: The unit must be isolated carefully to prevent sound transmission. Field supplied vibration isolators are recommended.

STEP 7 - Install an auxiliary drain pan under the horizontal condensing furnace to prevent possible damage to ceilings.

1. Isolate the auxiliary drain pan from the unit and from the structure.
2. Connect the auxiliary drain pan to a separate drain line and terminate according to local codes.



About Trane and American Standard Heating and Air Conditioning
Trane and American Standard create comfortable, energy efficient indoor environments for residential applications.
For more information, please visit www.trane.com or www.americanstandardair.com

The manufacturer has a policy of continuous data improvement and it reserves the right to change design and specifications without notice. We are committed to using environmentally conscious print practices.

18-CH81D1-1A-EN 06 Jul 2020
Supersedes 18-CH81D1-1 (December 2015)

© 2020