

INSTALLER'S GUIDE

18-CH64D1-1A-EN

ALL phases of this installation must comply with
NATIONAL, STATE AND LOCAL CODES

KIT 16433 Foil Insulation Repair Kit:

For 5 Ton Variable Speed, 21" Wide
cabinet, furnace models:
*UD2C100A9V5 and
*UD100R9V5K with serial numbers:
6010***** to 12251*****

IMPORTANT – This Document is customer property and is to remain with this unit. Please return to service information pack upon completion of work.

Section 1. Safety Information

WARNING

SAFETY HAZARD! This information is intended for use by individuals possessing adequate backgrounds of electrical and mechanical experience. Any attempt to repair a central air conditioning product may result in personal injury and/or property damage. The manufacturer or seller cannot be responsible for the interpretation of this information, nor can it assume any liability in connection with its use.

WARNING

SAFETY HAZARD! Sharp Edge Hazard. Be careful of sharp edges on equipment or any cuts made on sheet metal while installing or servicing. Personal injury may result.

WARNING

FIRE OR EXPLOSION HAZARD

Failure to follow the safety warnings exactly could result in serious injury, death or property damage.

Improper servicing could result in dangerous operation, serious injury, death, or property damage.

WARNING

SAFETY HAZARD

To prevent injury or death due to contact with moving parts, turn the power to the furnace off before servicing filters. Failure to follow the safety warnings exactly could result in serious injury, death or property damage.

WARNING

Use a backup wrench on the gas valve when installing or removing gas piping to prevent damage to the gas valve and manifold assembly.

WARNING

CARBON MONOXIDE POISONING HAZARD

Failure to follow the installation instructions for the venting system being placed into operation could result in carbon monoxide poisoning or death.

The following warning complies with State of California law, Proposition 65.

WARNING

This product contains fiberglass wool insulation!

Fiberglass dust and ceramic fibers are believed by the State of California to cause cancer through inhalation. Glasswool fibers may also cause respiratory, skin, or eye irritation.

PRECAUTIONARY MEASURES

- Avoid breathing fiberglass dust.
- Use a NIOSH approved dust/mist respirator.
- Avoid contact with the skin or eyes. Wear long-sleeved, loose-fitting clothing, gloves, and eye protection.
- Wash clothes separately from other clothing: rinse washer thoroughly.
- Operations such as sawing, blowing, tear-out, and spraying may generate fiber concentrations requiring additional respiratory protection. Use the appropriate NIOSH approved respirator in these situations.

FIRST AID MEASURES

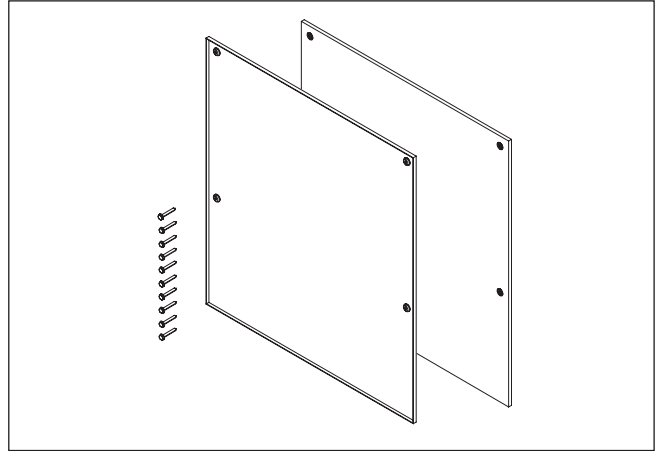
- Eye Contact** – Flush eyes with water to remove dust. If symptoms persist, seek medical attention.
- Skin Contact** – Wash affected areas gently with soap and warm water after handling.

Section 2. General Information

Open and inspect contents for damage or missing items.

Each kit will contain:

Qty	Description
2	- 18" x 20" Cover Plates
10	- 1" SS Screws
1	- Installer's Guide



Section 3. Installation of foil repair kit.

IMPORTANT - Do not remove the insulation in the furnace. The repair kit panels will mount over the insulation.

WARNING

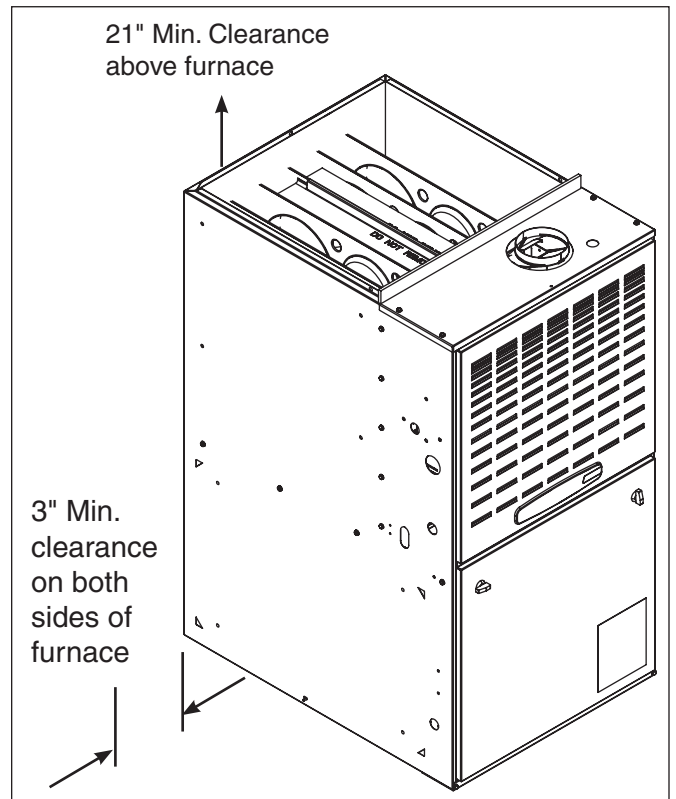
SAFETY HAZARD

Refer to the furnace Installer's Guide if any disassembly of the furnace is needed to access the supply duct. Failure to follow the safety warnings exactly could result in serious injury, death or property damage.

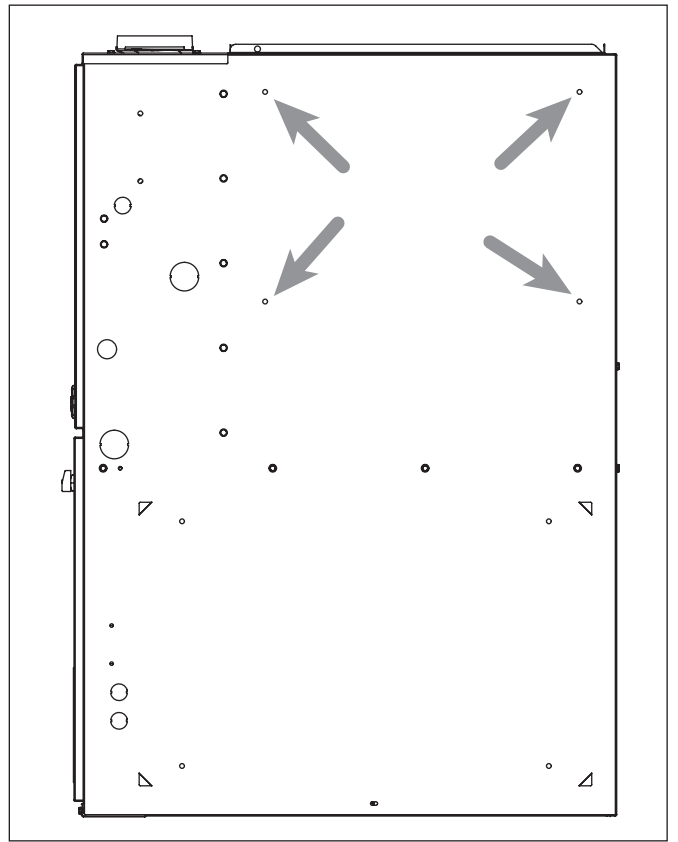
STEP 1 - Gain access to the supply duct opening of the furnace.

NOTE: Installations vary by application. Follow all safety instructions during any disassembly and reassembly of furnace.

NOTE: There must be a minimum of 3 inches on each side and a minimum of 21 inches above the furnace to be able to install this kit.

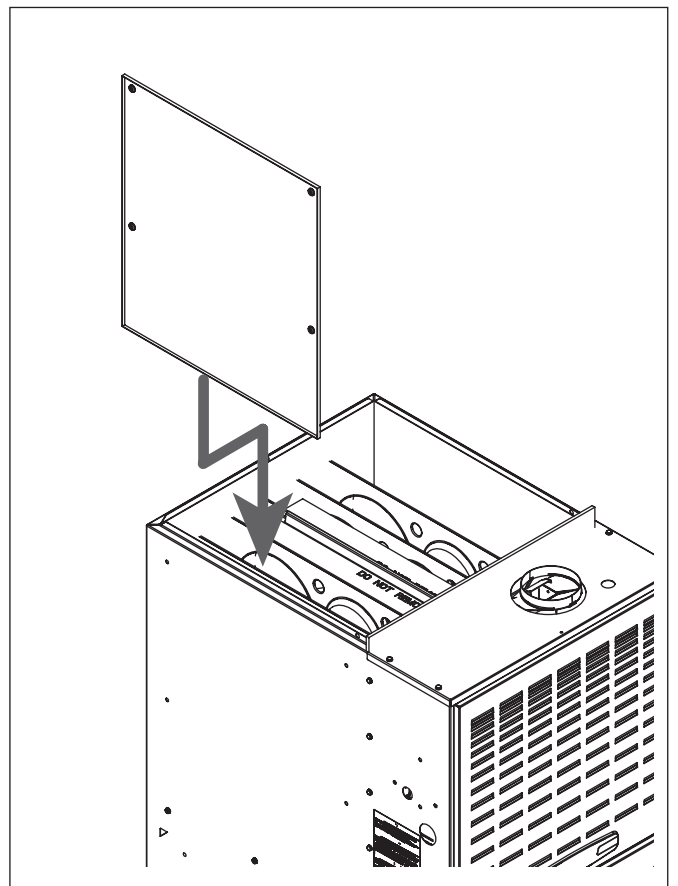


STEP 2 - Locate screw hole openings on side of cabinet.



STEP 3 - Insert one panel from KIT16433 into one side of the furnace supply return opening.

NOTE: Panel flanges must face towards the insulation.



STEP 4 - Align the holes in the panel with the holes inside the cabinet.

STEP 5 - Insert one screw and align.

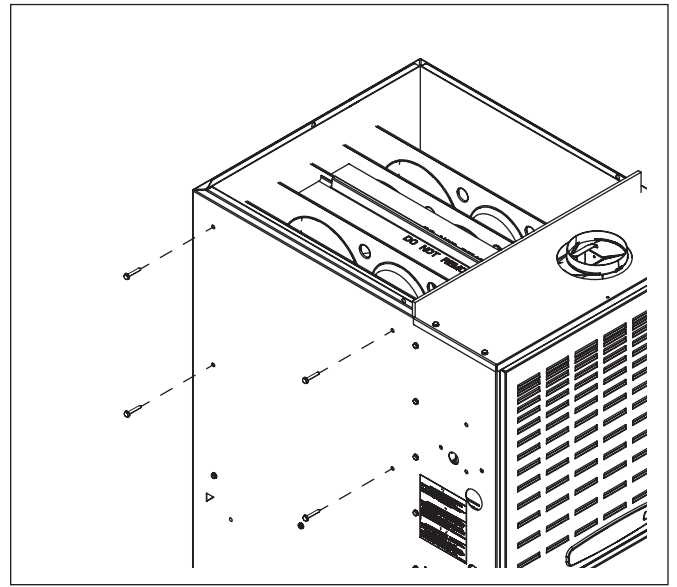
STEP 6 - Tighten the screw enough to hold the panel

STEP 7 - Insert second screw and align.

STEP 8 - Tighten the second screw to the panel.

STEP 9 - Repeat for the remaining two screws.

STEP 10 - Tighten all four screws.



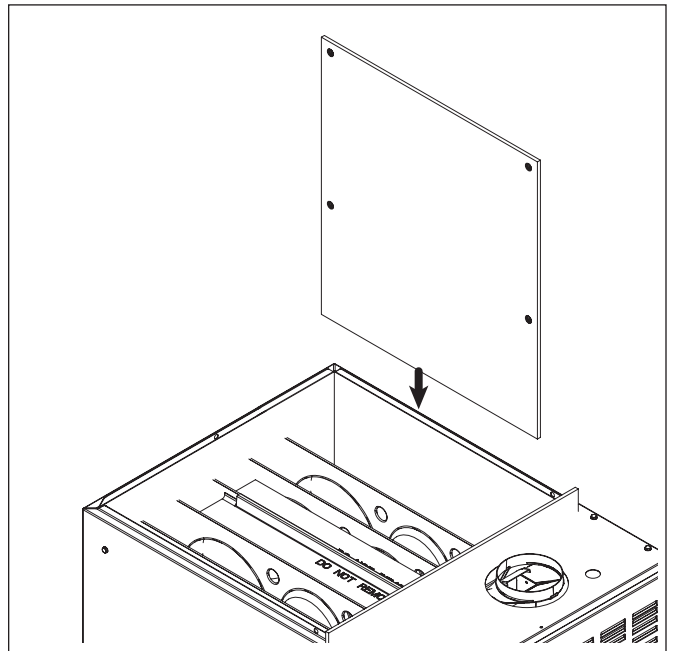
STEP 11 - Repeat 3 through 10 for the other side.

WARNING

SAFETY HAZARD

Refer to the furnace Installer's Guide for reassembly of the furnace. Failure to follow the safety warnings exactly could result in serious injury, death or property damage.

STEP 12 - Reinstall the unit into the system.



About Trane and American Standard Heating and Air Conditioning

Trane and American Standard create comfortable, energy efficient indoor environments for residential applications. For more information, please visit www.trane.com or www.americanstandardair.com

The manufacturer has a policy of continuous data improvement and it reserves the right to change design and specifications without notice. We are committed to using environmentally conscious print practices.