

READ COMPLETE SAFETY INSTRUCTIONS, PRE-INSTALLATION SETUP AND CHECKOUT PROCEDURE FOR BYPASS HUMIDIFIER AND INSTALLATION/TEMPLATE INSTRUCTIONS BEFORE STARTING

ATTENTION INSTALLER:

This product must be installed by a qualified heating and air conditioning contractor. Failure to do so could result in serious injury from electrical shock.

This product must be installed in compliance with all local, state and federal codes.

If the furnace has central cooling, the humidifier bypass damper must be closed during the cooling season.

BYPASS HUMIDIFIER MODEL EHUMD200A

WARNING

- 1. ELECTRICAL SHOCK HAZARD.** Disconnect electrical power to the furnace before starting installation. Failure to do so could result in serious injury from electrical shock.
- 2. SHARP EDGES HAZARD.** Sharp edges may cause serious injury from cuts. Use care when making plenum openings and handling ductwork. Use personal protective equipment when installing HVAC equipment.
- 3. RISK OF SCALDING.** Water temperature over 125°F can cause severe burns and scald instantly. Shut off the hot water supply before disconnecting or tapping into any hot water supply line.

CAUTION

RISK OF PROPERTY AND EQUIPMENT DAMAGE.

1. Do not install humidifier in attic or crawl areas.
2. Do not install humidifier where freezing temperatures could occur. The water line could freeze and crack causing water damage to the home.
3. Do not install humidifier or bypass connection on the furnace cabinet.
4. Do not install humidifier or bypass connection on a plenum face where the blanked off ends of the cooling coil will restrict air movement through the humidifier.
5. Do not set humidity level above recommended or to recommended level if condensation exists on inside windows of any unheated space, as condensation damage may result. Excess humidity can cause moisture accumulation which can allow the possibility for mold growth in your home.
6. Do not connect humidifier transformer to blower motor wiring. Premature component failure may result.
7. When installing Manual Humidifier Control on downflow furnace, ensure blower continues to run after a heat call is satisfied to eliminate high temperatures from damaging the Control.
8. Do not install humidifier where water pressure exceeds 125 psi, since damage to the humidifier may result. Follow codes in effect concerning pressure reduction.
9. Do not install humidifier on the supply plenum where static pressure exceeds 0.2" W.C.

SPECIFICATIONS

HUMIDIFIER DIMENSIONS

Width (including solenoid valve): 15 5/8"
Height (including drain spud): 13"
Depth: 10 1/4"

BYPASS DUCT OPENING

6" diameter

PLENUM OPENING

9 1/2"W x 9 1/2"H

WATER FEED RATE

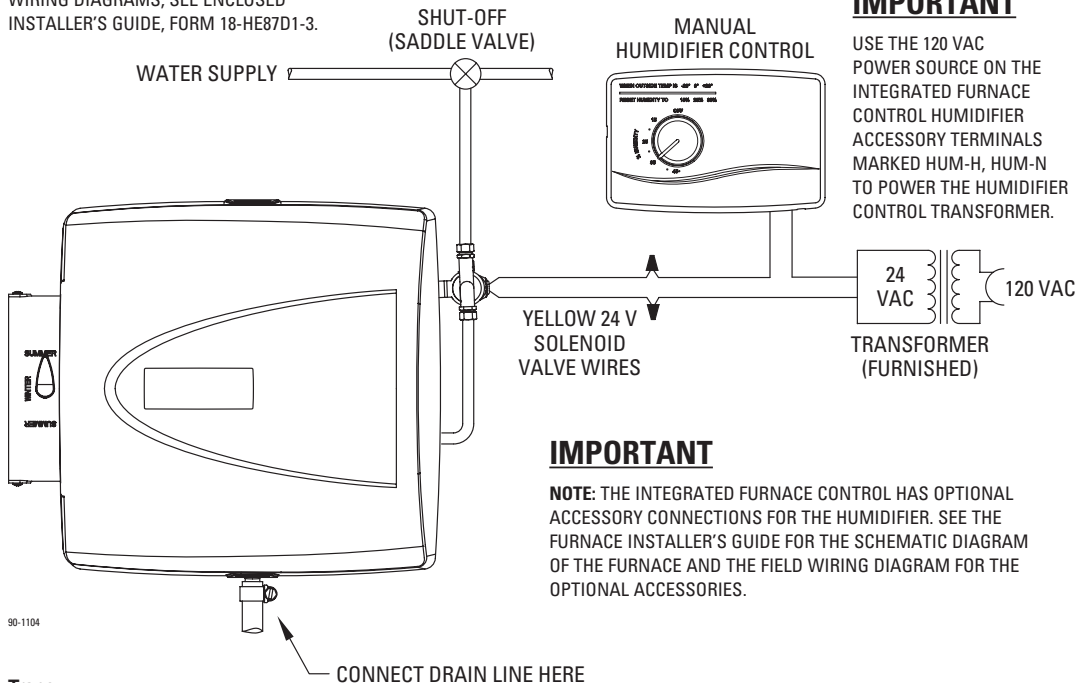
3 gph

ELECTRICAL DATA

24 VAC-60 Hz, 0.5 AMP

WIRING DIAGRAM

NOTE: FOR COMMUNICATING SYSTEM WIRING DIAGRAMS, SEE ENCLOSED INSTALLER'S GUIDE, FORM 18-HE87D1-3.

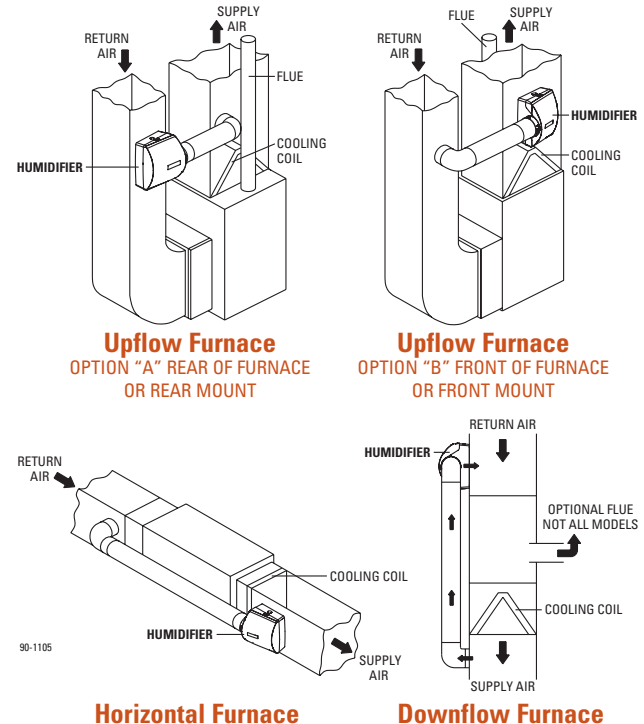


Trane
Ingersoll Rand
6200 Troup Highway
Tyler, TX 75711-9010

TEMPLATE MUST BE LEVEL

INSTALLATION OPTIONS

The humidifier can be installed on either the supply or return plenum of a forced air handling system and is easily reversible for installation with right hand or left hand bypass duct connections. The humidifier dimensions and serviceability must be considered when selecting the best location for the humidifier.



READ REVERSE SIDE FIRST!

- TOP -

READ REVERSE SIDE FIRST!

READ COMPLETE SAFETY INSTRUCTIONS AND INSTALLATION TEMPLATE BEFORE STARTING

FURNISHED ITEMS

- Build-in bypass damper
- 24 VAC Manual Humidifier Control
- 24 VAC Transformer
- Saddle valve
- Humidifier Installation Template

ITEMS NOT FURNISHED

- Mounting screws (sheet metal screws)
- Water supply line (1/4" copper)
- Drain line (1/2" I.D. hose)
- Low voltage wire
- Bypass ductwork
- Current Sensing Relay BAYRLY10ASENSA (if required)

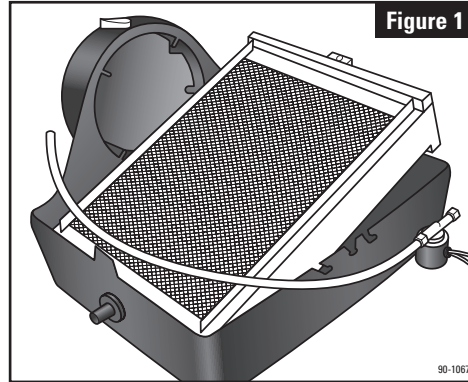


Figure 1

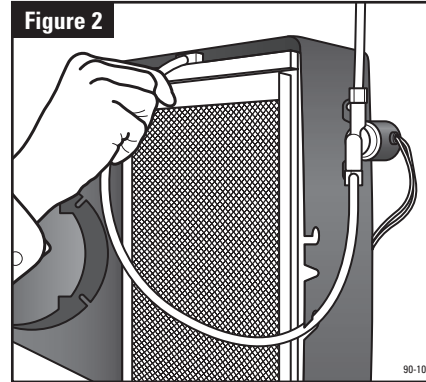


Figure 2

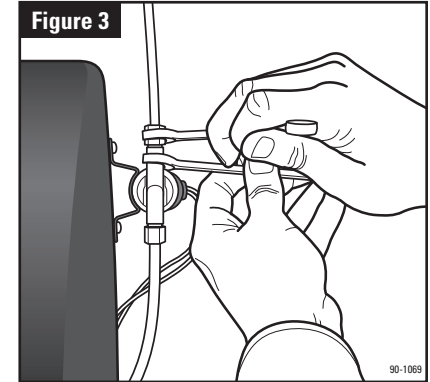


Figure 3

1. Remove front cover by pressing center tabs on top and bottom of the cover (1) and base (2). Pull feed tube (3) out of the water distribution tray (4). Tip the evaporative assembly forward and lift it out of the humidifier. (See Figure 1)

2. The humidifier comes assembled for left side discharge. If converting to right side discharge, the base can be rotated so round collar is facing to the right. Swap the location of the hole plug (10) and drain spud (9) if using a right side discharge. To remove the cap, push and twist from inside the housing while lifting the cap up slightly on the outside. To remove the drain spud, twist and push from the outside of the base.

3. Using a level, position this template at least 3 inches above the furnace housing or cooling coil, if applicable, for clearance of the drain line. Trace around template edges. Remove the template and accurately cut the plenum opening 9 1/2" x 9 1/2", being careful to avoid injury from sharp edges.

4. Place the humidifier into the plenum opening, install six sheet metal mounting screws (not furnished) at the top and sides of the humidifier interior.

5. Install a 6" collar in a convenient location on the opposite plenum. Attach a 90° elbow and measure the length of 6" round duct required to make the connection. The design of the humidifier collar provides a solid connection with the bypass duct through the use of inside support ribs and pre-formed holes for sheet metal screws. Slip the duct

inside the collar of the humidifier, up to the support ribs. Using the pre-formed holes at the top and bottom of the humidifier collar, secure the duct to the humidifier collar with two sheet metal mounting screws (not furnished). Support bypass ducts longer than 4 feet to prevent sagging.

6. Reinstall the evaporative assembly back into the base, with the bottom of the scale control insert (6) sitting firmly in the inside of the drain spud (9). Push the feed tube back into the water distribution tray. (See Figure 2) Put the front cover back on. If the nameplate (11) is upside down, remove it and rotate the nameplate so it is right side up, and snap back into place. Turn damper handle (8) to the open position "WINTER" for the heating season, or closed position "SUMMER" for the cooling season.

7. Locate and install the Manual Humidifier Control by following the instructions shown in step #7A. **DISCONNECT ELECTRICAL POWER TO FURNACE BEFORE PROCEEDING TO STEP #7A!**

7A. MANUAL HUMIDIFIER CONTROL INSTALLATION INSTRUCTIONS:

The Manual Humidifier Control is designed for low voltage service to control humidification equipment. An increase in relative humidity expands the nylon ribbon that opens the control switch to stop operation of the humidifier. A decrease in relative humidity reverses the process and closes the control switch.

LOCATION

For Wall Mount:

1. Locate on inside wall of living area approximately 5 feet above floor.
2. Do not locate Control in the direct path of furnace discharge air or drafts from open doors and windows.
3. Do not install where operation might be affected by lamps, sunlight, fireplace registers, radiators, concealed air ducts and pipes or room occupants.
4. The basic rules for location of thermostats also apply to humidifier controls.
5. Remove and discard foam gasket and secure control to wall over wire access opening with screws provided.

For Return Duct Mount:

1. Position manual humidistat at least 6" upstream of bypass duct connection or humidifier.
2. Avoid injury from sharp edges when cutting opening.
3. Make sure foam gasket is in place and secure control to duct with screws provided.

GENERAL INSTRUCTIONS

1. Do not attempt to repair or recalibrate Humidifier Control. Humidifier Controls requiring service should be returned to your distributor.
2. Use Humidifier Control in low voltage (24 VAC) applications only. Install 24 VAC wiring to Humidifier Control as shown in Wiring Diagrams, opposite side.
3. Make sure no bare wires are exposed or insulation damaged. Insulation on wire should extend to head of screws.
4. Make sure all splices are mechanically and electrically secure.
5. To remove dirt or other foreign matter from nylon ribbon and control interior, dust lightly with a fine, soft brush.

will function with cold, hot, softened or unsoftened water. The use of service hot water (140°F MAX.) and constant blower operation will provide maximum evaporative capacity.

NOTE: The saddle valve is designed to be fully opened or closed. Do not use it to regulate water flow.

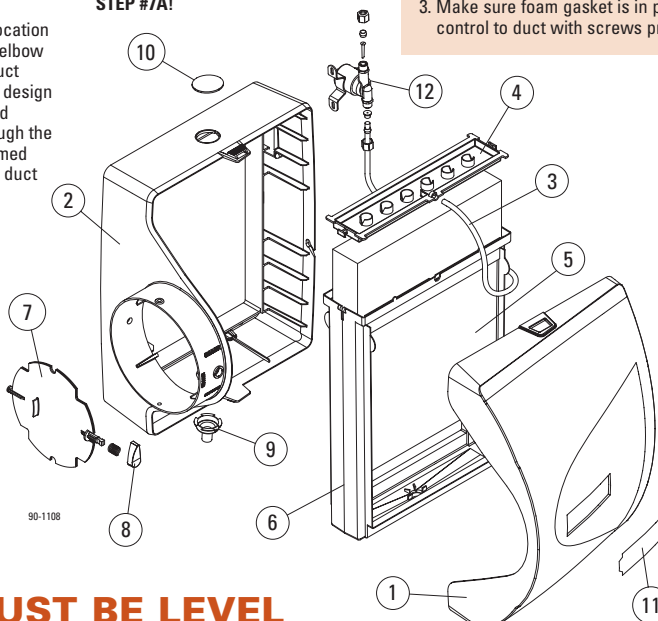
10. Connect tubing from the saddle valve to the inlet side of the solenoid valve using 1/4" O.D. copper tubing (not furnished). **DOUBLE WRENCH TO PREVENT LEAKING!** (See Figure 3)

11. Drain hose is designed to accept 1/2" I.D. plastic hose (not furnished). Run drain line from drain spud to floor drain. **CAUTION: If hose clamp is used, do not over tighten, drain spud could crack. Be sure drain line has continuous slope. NOTE: Do not sweat or directly attach metal drain line to fitting. Do not use solvent type adhesive when connecting plastic drain line, since damage to fitting could result.**

12. Open saddle valve completely and turn on furnace. Turn up Humidifier Control so that humidifier will turn on. Allow humidifier to run until water is observed coming out of the drain line. Check to see if humidifier and saddle valve are watertight. Check operation to make sure that all electrical components function properly. Set Humidifier Control to level recommended in Use and Care manual.

NOTE: BEFORE LEAVING THE JOB SITE, MAKE SURE:

1. Saddle valve is fully open.
2. All plumbing connections are watertight.
3. Humidifier functions properly.
4. Bypass damper is in proper position.



1. Front Cover
2. Base
3. Feed Tube
4. Water Distribution Tray
5. Humidifier Pad
6. Scale Control Insert
7. Integral Damper
8. Damper Handle
9. Drain Spud
10. Hole Plug
11. Nameplate
12. Solenoid Valve

8. Connect the transformer 120 VAC primary wires to the integrated Furnace Control Accessory Terminals. The terminals are marked HUM-H, HUM-N, where available. The HUM terminals will provide 120 VAC to the transformer whenever there is a call for heat. The transformer is designed to be mounted on a junction box. See furnace Installer's Guide for wiring recommendations. **NOTE: For gas furnaces without humidifier accessory terminals providing 120 VAC, use the Current Sensing Relay (BAYRLY10ASENSA).**

9. Tap into the top or side (not bottom) of the water supply line with the saddle valve furnished. See instructions on saddle valve package. The humidifier

IMPORTANT! Be sure Use and Care manual containing instructions for operation and warranty information is given to owner in order to avoid unnecessary calls. Warranty is void unless humidifier is installed by qualified heating and air conditioning contractor due to possible misapplication of product.

TEMPLATE MUST BE LEVEL