

INSTALLER'S GUIDE

18-CE06D1-1B-EN

ALL phases of this installation must comply with NATIONAL, STATE AND LOCAL CODES.



Model: **BAYCNDTRAP2A**
BAYCNDTRAP3A

In-line Condensate Drain Kit

For use on condensing furnaces with special case venting

IMPORTANT — This Document is customer property and is to remain with this unit. Please return to service information pack upon completion of work.

WARNING

INSTALLATION OR REPAIRS MADE BY UNQUALIFIED PERSONS CAN RESULT IN HAZARDS TO YOU AND OTHERS. INSTALLATION MUST CONFORM WITH LOCAL CODES OR, IN THE ABSENCE OF LOCAL CODES, WITH CODES OF THE COUNTRY HAVING JURISDICTION. THE INFORMATION CONTAINED IN THESE INSTRUCTIONS IS INTENDED FOR USE BY A QUALIFIED SERVICE TECHNICIAN FAMILIAR WITH SAFETY PROCEDURES AND EQUIPPED WITH THE PROPER TOOLS AND TEST INSTRUMENTS. FAILURE TO CAREFULLY READ AND FOLLOW ALL INSTRUCTIONS IN THESE INSTRUCTIONS CAN RESULT IN FURNACE OR BOILER MALFUNCTION, PROPERTY DAMAGE, PERSONAL INJURY AND/ OR DEATH.

NOTE: Codes and local utility requirements governing the installation of gas fired equipment, wiring, plumbing, and flue connections must be adhered to. In the absence of local codes, the installation must conform with the Nation Fuel Gas Code ANSI Z223.1 "latest edition", or CAN/ CGA B149 Installation Codes. The latest code may be obtained from the American Gas Association Laboratories 400 N. Capitol St. NW, Washington D.C. 20001, 1-800-699-9277 or www.aga.com

NOTE: Read the Installer's Guide before starting the installation.

NOTE:
This kit is approved for use in the US and Canada.

INTRODUCTION

The in-line condensate kit may be used when special case venting is present. In certain applications, particularly when the furnace is located in a basement, warm humid outside air is drawn into the combustion air piping located in a conditioned room. If the temperature of the conditioned space meets or is lower than the outside air dew point, condensation could occur inside the piping and ultimately drain into the furnace compartment leading to premature component failure. The in-line condensate trap kit catches and removes this potentially harmful condensate.

The combustion air and vent pipe and fittings must conform to American National Standards Institute (ANSI) and American Society for Testing and Materials (ASTM) standards D1785 (schedule-40 PVC), D2665 (PVC-DWV), D2441 (SDR-21 and SDR-26 PVC), D2661 (ABS-DWV), or F628 (schedule-40 ABS). Pipe cement and primer must conform to ASTM standards D2564 (PVC) or D2235 (ABS). In Canada, construct all combustion air and vent pipes for this unit of CSA or ULC certified schedule-40 PVC/ABS-DWV pipe and pipe cement.

INSTALLATION

NOTE:
The in-line condensate drain trap must be located on the combustion air intake pipe as close to the furnace as possible.

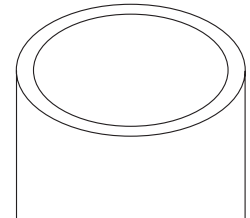
IMPORTANT:
The condensate traps are labeled with arrow to show which side must point towards the furnace for correct operation.

IMPORTANT:
Make sure to deburr all tubing.

NOTE:
Hand tighten screws. Do not use a high-torque screw gun.

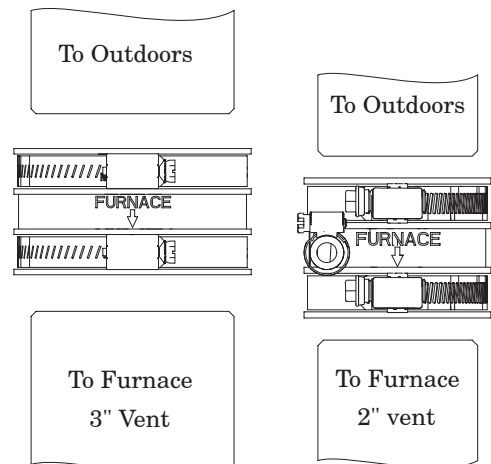
Deburr the inside and outside edges of the vent piping

①



1. Determine best location for the condensate trap kit and install the collar onto the combustion air intake pipe. Make sure to take the direction of the exiting condensate drain line into consideration. Hand tighten clamps.

②



INSTALLER'S GUIDE

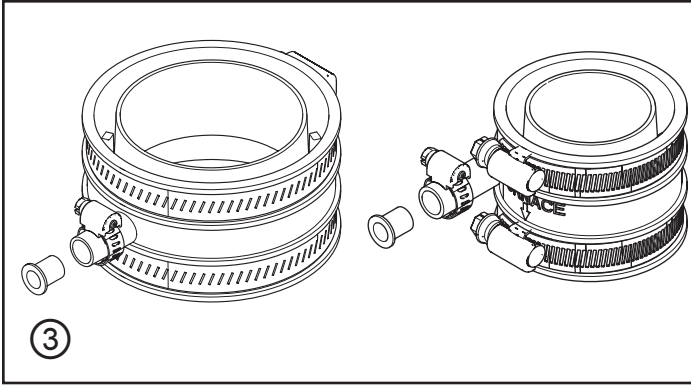
NOTE:

Make sure the drain insert is in place before inserting the drain tube.

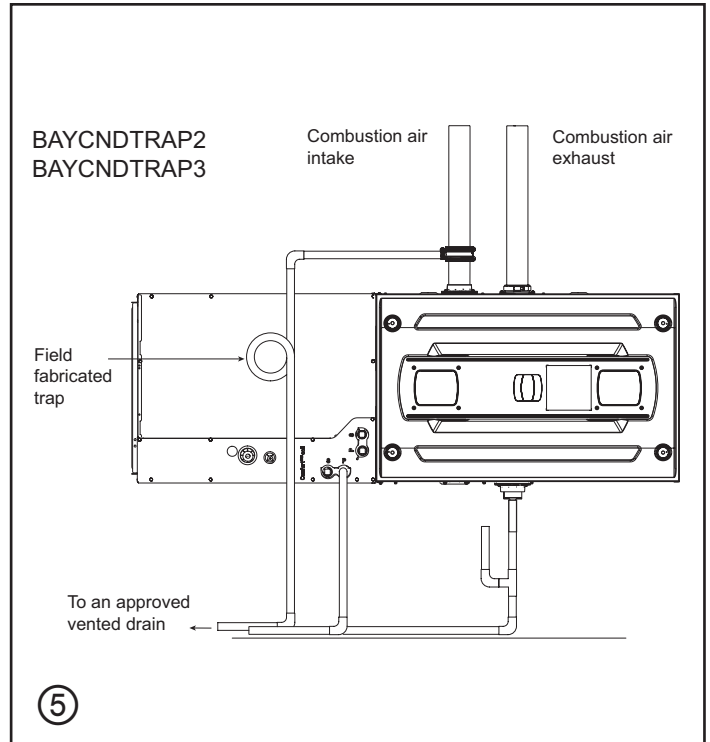
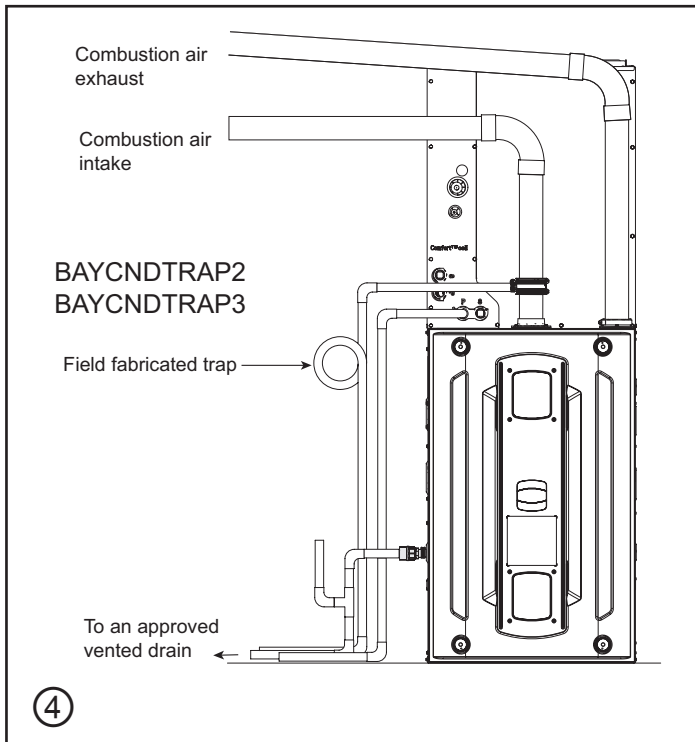
NOTE:

Do not overtighten the clamp on the condensate outlet drain.

2. Install the condensate drain line to the in-line condensate trap. Ensure the insert is in place.



3. Create field fabricated trap and include in condensate line routing. The condensate drain line must run to an approved vented drain as shown in Figures 4 and 5.



About Trane and American Standard Heating and Air Conditioning

Trane and American Standard create comfortable, energy efficient indoor environments for residential applications. For more information, please visit www.trane.com or www.americanstandardair.com

The manufacturer has a policy of continuous data improvement and it reserves the right to change design and specifications without notice. We are committed to using environmentally conscious print practices.