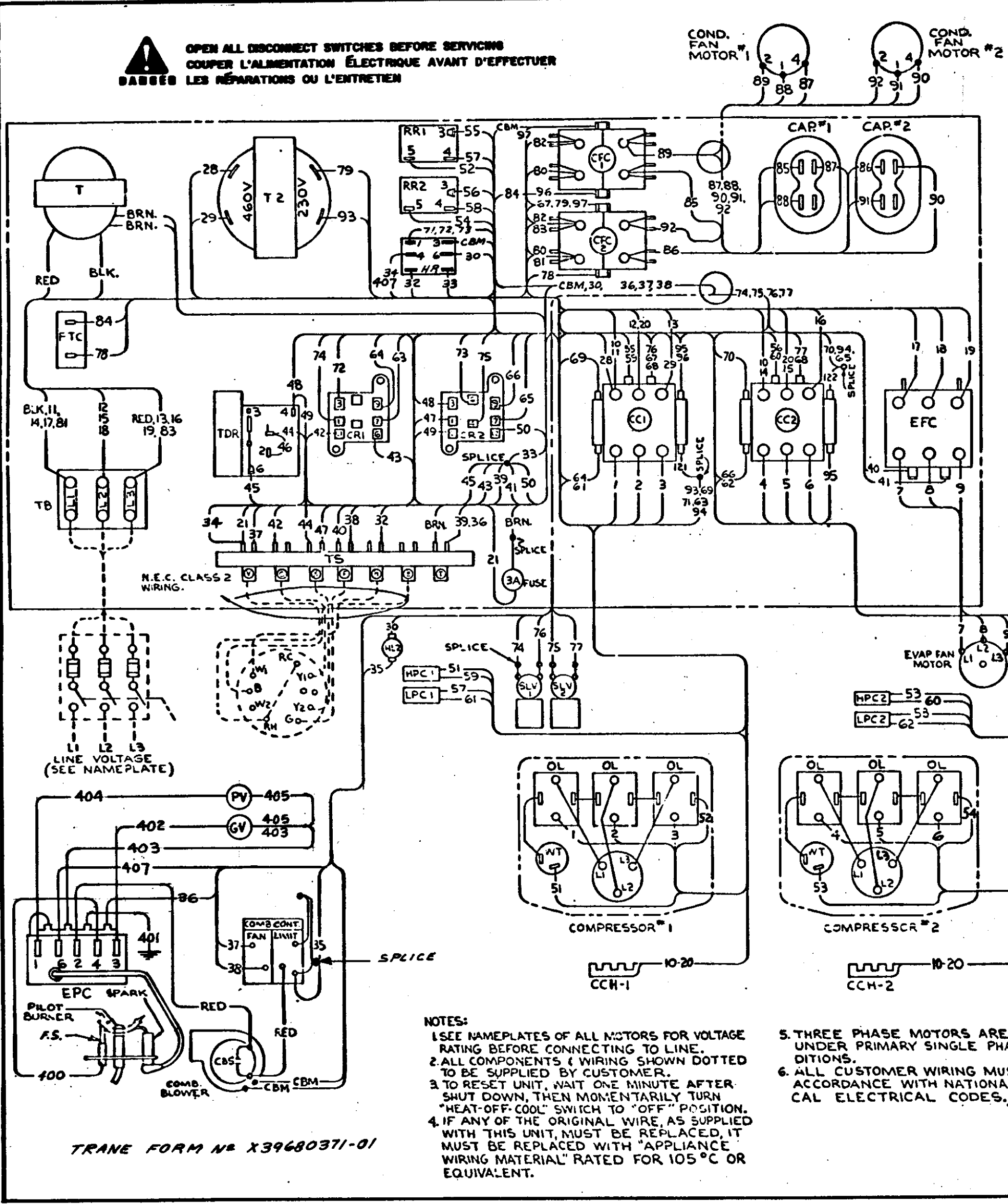


REISSUE	
1	F
2	D
3	D
4	D
5	D
6	D
7	D
8	D
9	D
10	D

SPECS:
 SIZE- DIAGRAM IS TO BE PROPORTIONALLY REDUCED AND PRINTED ON A 11x17 SHEET.
 MATERIAL- WHITE PRESSURE SENSITIVE BOND PAPER, PERMANENT ADHESION, CRACK AND PEEL OR SPLIT BACKING.
 PRINTING- BLACK LETTERS AND DIAGRAM ON WHITE BACKGROUND

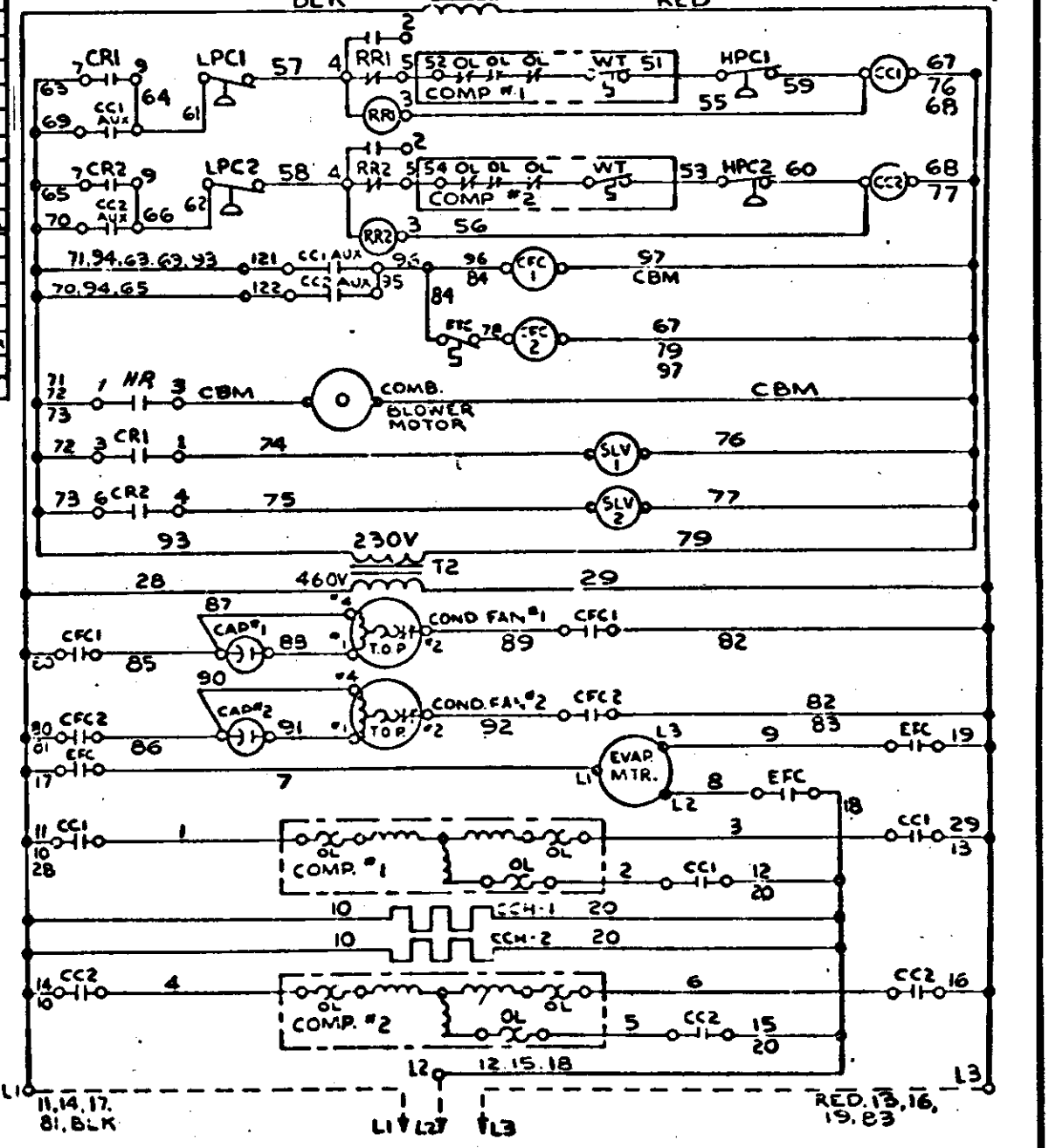
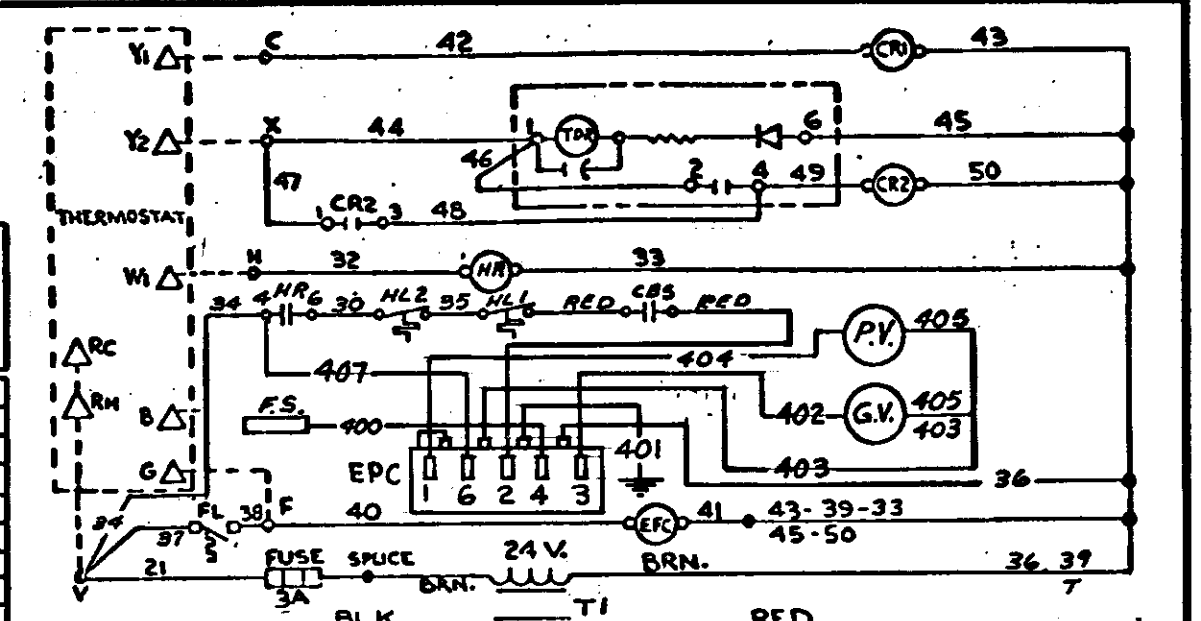
ENGR USE ONLY		TOLERANCES WILL BE IN ACCORDANCE WITH STANDARD PRACTICES UNLESS OTHERWISE SPECIFIED.		THE TRANE COMPANY LA CROSSE, WISCONSIN		B X39680371	
STD ENGR SPEC		ALL DIMENSIONS IN INCHES DO NOT SCALE DRAWINGS		THIS DRAWING IS THE PROPERTY OF THE TRANE COMPANY AND IS PROPRIETARY IN GENERAL AND IN DETAIL. IT SHALL NOT BE COPIED OR ITS CONTENTS REVEALED TO OUTSIDE PARTIES WITHOUT THE WRITTEN CONSENT OF THE TRANE COMPANY.		LABEL-SYSTEM WIRING DIAGRAM SOLID STATE EPC KIT SFHA-1254, B	
SIMILAR TO BX39680158		FIRST USED ON ASSY NO A2701-3560		ENGR APPR		SCALE NONE	
DR. GOUFF 4/8/87		CHKD LH OLSON 5-13-87				DRAWING PART OR MATERIAL NO	

QTY REQ'D	EXT	ITEM	PART NAME	MATERIAL	DRG SIZE	DRAWING PART OR MATERIAL NO						
6	EXT	5	EXT	4	EXT	3	EXT	2	EXT	1		
			01									



EVAP FAN MOTOR
 TO REVERSE MOTOR ROTATION INTERCHANGE ANY TWO OF THE THREE LINE CONNECTIONS

T B	TERMINAL BLOCK
T S	TERMINAL STRIP
R R	RESET RELAY
EFC	EVAP FAN CONTACTOR
CC	COMPRESSOR CONTACTOR
CFC	COND. FAN CONTACTOR
CR	CONTROL RELAY
TDR	TIME DELAY RELAY
HPC	HIGH PRESSURE CONTROL
LPC	LOW PRESSURE CONTROL
FTC	FAN TEMP CONTROL
T	TRANSFORMER
CAP	CAPACITOR
SLV	SOLENOID VALVE
HR	HEATING RELAY
CBS	COMB. BLOWER SWITCH
GV	GAS VALVE
EPC	ELECTRONIC PILOT CONTROL
HL	HIGH LIMIT
FL	FAN LIMIT
OL	OVERLOAD
WT	WINDING THERMOSTAT
TOP	THERMAL OVERLOAD PROTECTOR
FS	FLAME SENSOR



- NOTES:**
- SEE NAMEPLATES OF ALL MOTORS FOR VOLTAGE RATING BEFORE CONNECTING TO LINE.
 - ALL COMPONENTS & WIRING SHOWN DOTTED TO BE SUPPLIED BY CUSTOMER.
 - TO RESET UNIT, WAIT ONE MINUTE AFTER SHUT DOWN, THEN MOMENTARILY TURN "HEAT-OFF-COOL" SWITCH TO "OFF" POSITION.
 - IF ANY OF THE ORIGINAL WIRE, AS SUPPLIED WITH THIS UNIT, MUST BE REPLACED, IT MUST BE REPLACED WITH "APPLIANCE WIRING MATERIAL" RATED FOR 105°C OR EQUIVALENT.
 - THREE PHASE MOTORS ARE PROTECTED UNDER PRIMARY SINGLE PHASING CONDITIONS.
 - ALL CUSTOMER WIRING MUST BE IN ACCORDANCE WITH NATIONAL AND LOCAL ELECTRICAL CODES.

0268-0106-01-B
 0268-0108-01-B

B X39680371