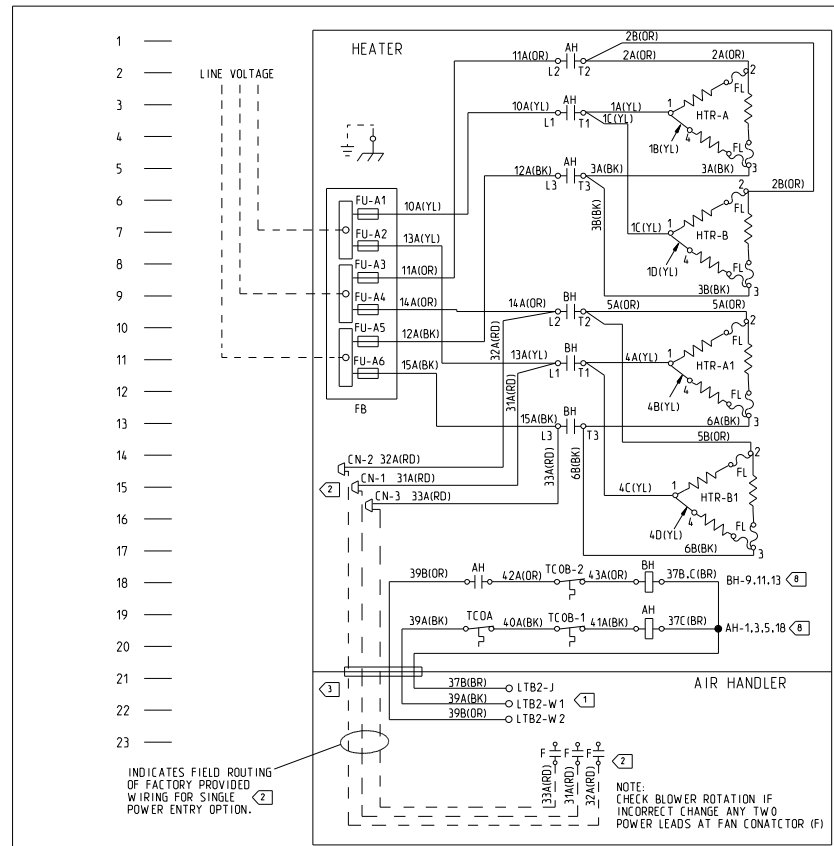


UNLESS OTHERWISE SPECIFIED ALL DIMENSIONS ARE IN INCHES. TOLERANCE: .X ± .XX ± 0.06 .XXX ± ANGLES ± ° HOLE DIA = : CONFORMS TO ASME Y14.5M-1994.	TRANE THIS DRAWING IS PROPRIETARY AND SHALL NOT BE COPIED OR ITS CONTENTS DISCLOSED TO OUTSIDE PARTIES WITHOUT THE WRITTEN CONSENT OF TRANE. DRAWN BY: J.EATON ©TRANE DATE: 03 MAY 06 DO NOT SCALE PRINT THIRD ANGLE PROJECTION		4367-0384 SHEET 1 OF 1 REV C DIAGRAM, WIRING
	MATERIAL: MAC-TAC MR1 LABEL MATERIAL (WHITE IN COLOR) WITH L23 L50 ADHESIVE LINER. ALTERNATE MATERIAL: FLEXCON VINYL V400 HW TC-160 LABEL MATERIAL (WHITE IN COLOR) WITH V-23 90 PFW ADHESIVE LINER. NOTES: ALL PRINTING TO BE BLACK. SIZE: 9.12 X 10.50		



CAUTION
 USE COPPER CONDUCTORS ONLY!
 UNIT TERMINALS ARE NOT DESIGNED TO ACCEPT OTHER TYPES OF CONDUCTORS.
 FAILURE TO DO SO MAY CAUSE DAMAGE TO THE EQUIPMENT.

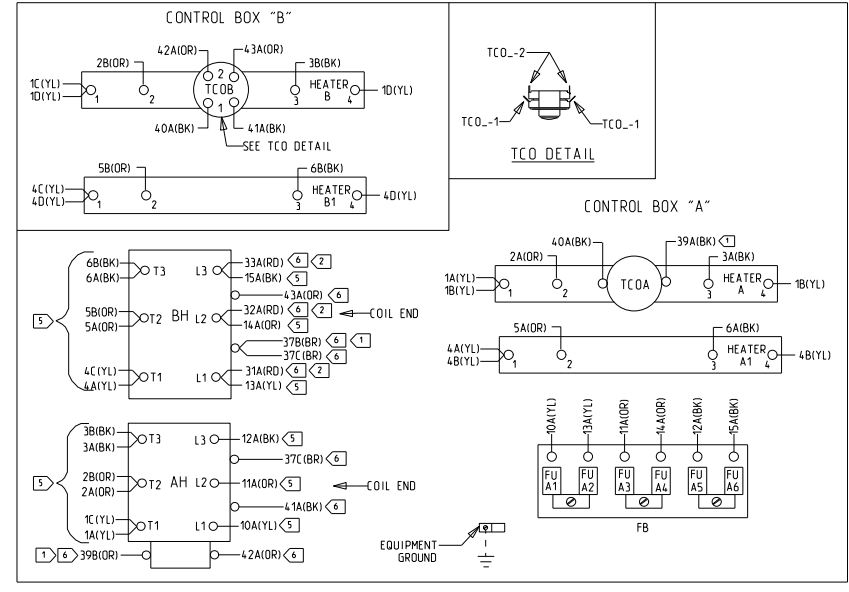
ATTENTION
 N'UTILISER QUE DES CONDUCTEURS EN CUIVRE!
 LES BORNES DE L'UNITÉ NE SONT PAS CONÇUES POUR RECEVOIR D'AUTRES TYPES DE CONDUCTEURS.
 L'UTILISATION DE TOUT AUTRE CONDUCTEUR PEUT ENDOMMAGER L'EQUIPEMENT.

PRECAUCIÓN
 ¡UTILICE ÚNICAMENTE CONDUCTORES DE COBRE!
 LAS TERMINALES DE LA UNIDAD NO ESTÁN DISEÑADAS PARA ACEPTAR OTROS TIPOS DE CONDUCTORES.
 SI NO LO HACE, PUEDE OCASIONAR DAÑO AL EQUIPO.

ELECTRICAL RATING				
MODEL NO.	240 VOLTS	208 VOLTS		
	KW	AMPS	KW	AMPS
BAYHTRM330A	29.92	72	22.47	62.4

FUSE REPLACEMENT		WIRE COLOR DESIGNATION			
A1	60A	ABBR	COLOR	ABBR	COLOR
A2	60A	BK	BLACK	RD	RED
A3	60A	BL	BLUE	WH	WHITE
A4	60A	BR	BROWN	YL	YELLOW
A5	60A	OR	ORANGE		
A6	60A				

DEVICE	DESCRIPTION	LINE
AH	CONTACTOR, HEATER	1, 3, 5, 18, 19
BH	CONTACTOR, HEATER	9, 11, 13, 18
CN	CONNECTOR, WIRE	14-16
F	INDOOR FAN CONTACTOR	23
FL	FUSE LINK	2-17
FU	FUSE	6-11
HTR	HEATER RACK	2-17
LTB2	LOW VOLTAGE TERM BLOCK	20-22
TCO	TEMP CUTOUT	18, 19
FB	FUSE BLOCK	6-11



- NOTES:
- FIELD CONNECT CONTROL LEADS AS SHOWN: 39A(BK)-LTB2 W1 (FIRST STAGE HEAT) 39B(OR)-LTB2 W2 (SECOND STAGE HEAT) 37B(BR)-LTB2 J (HEATER/FAN INTERLOCK)
 - WHEN USING SINGLE POINT POWER ENTRY THROUGH ELECTRIC HEAT CONTROL BOX, REMOVE CONNECTORS (CN-1, CN-2, CN-3) FROM END OF THESE WIRES (31A(OR), 32A(OR), 33A(OR)) AND THEN TERMINATE THEM INTO BOX LUGS LOCATED ON THE BOTTOM OF THE INDOOR FAN CONTACTOR IN THE AIR HANDLER CONTROL BOX. SEE THE ELECTRIC HEAT INSTALLER'S GUIDE FOR INSTALLATION INSTRUCTIONS.
 - BUSHING IS PROVIDED WITH HEATER.
 - UNLESS OTHERWISE NOTED, ALL SWITCHES ARE SHOWN AT 25° C (77° F) AT ATMOSPHERIC PRESSURE, AT 50% RELATIVE HUMIDITY WITH ALL UTILITIES TURNED OFF AND AFTER A NORMAL SHUTDOWN HAS OCCURRED.
 - WIRES TERMINATE AT BOX LUG.
 - WIRES TERMINATE AT QUICK CONNECT.
 - DASHED LINES INDICATE RECOMMENDED FIELD WIRING BY OTHERS. DASHED LINE ENCLOSURES AND/OR DASHED DEVICE OUTLINES INDICATE COMPONENTS PROVIDED BY THE FIELD. PHANTOM LINE ENCLOSURES INDICATE ALTERNATE CIRCUITRY OR AVAILABLE SALES OPTIONS.
 - NUMBERS ALONG THE RIGHT SIDE OF THE SCHEMATIC DESIGNATE THE LOCATION OF CONTACTS BY LINE NUMBER. AN UNDERLINED NUMBER INDICATES A NORMALLY CLOSED CONTACT.

PRINTED FROM 4367-0384 REV C