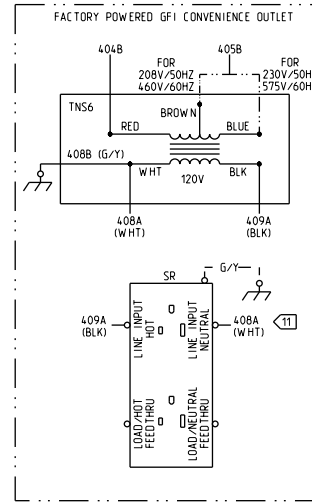
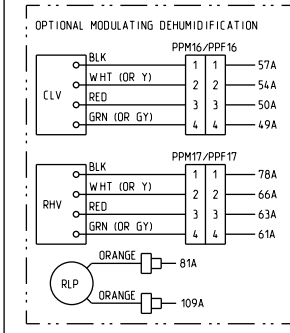


NOTES:

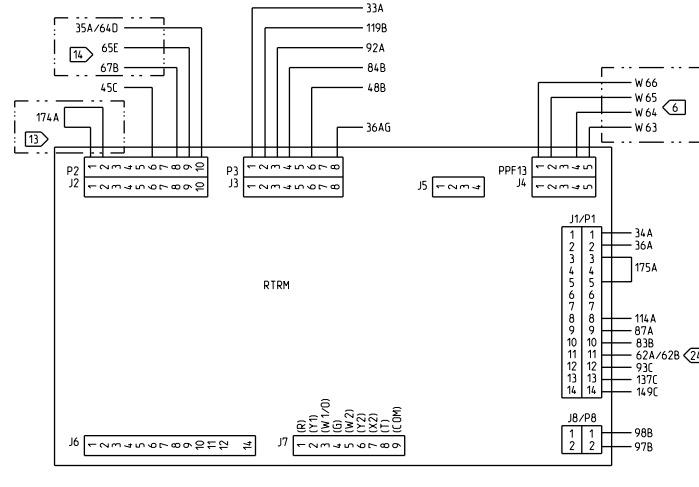
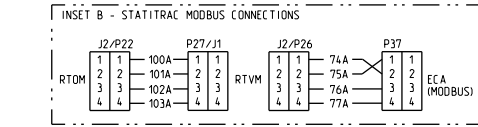
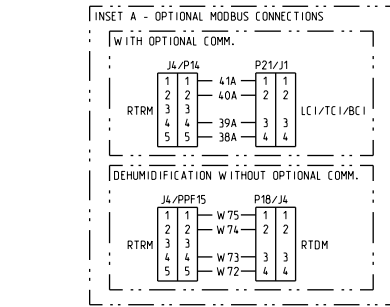
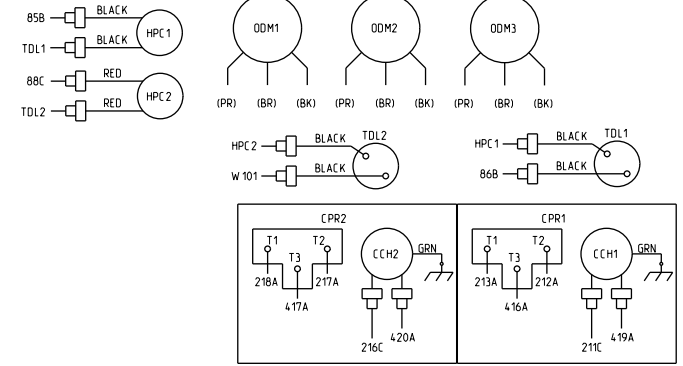
- 2 OPTIONAL CLOGGED FILTER SWITCH.
- 3 REQUIRED FOR OPTIONAL VENTILATION OVERRIDE.
- 4 REQUIRED FOR OPTIONAL REFERENCE ENTHALPY CONTROL.
- 5 REQUIRED FOR OPTIONAL COMPARATIVE ENTHALPY CONTROL.
- 6 WIRING SHOWN IS FOR UNITS WITHOUT OPTIONAL COMMUNICATIONS BOARD (LC1/TC1/BC1) OR DEHUMIDIFICATION. FOR OPTIONAL CONNECTIONS, SEE INSET A.
- 7 WIRING SHOWN IS FOR UNITS WITH OPTIONAL ECONOMIZER WITHOUT STATITRAC OPTION. FOR OPTIONAL CONNECTIONS, SEE INSET B.
- 8 REQUIRED FOR OPTIONAL 50% POWERED EXHAUST.
- 9 XFM2 REQUIRED FOR OPTIONAL 100% POWERED EXHAUST.
- 10 REQUIRED FOR OPTIONAL FRESH AIR TRACKING EXHAUST. NOTE: ON STATITRAC UNITS, CONNECTIONS ARE MADE WITH WIRES 182B AND 183B (NOT 182A AND 183A).
- 11 CUSTOMER TO PROVIDE WIRES 408A (WHT), 409A (BLK) AND GROUND WIRE (G/Y) WHEN FIELD POWERED.
- 12 WIRE 368S IS NOT USED FOR 35 TON UNITS.
- 13 WIRE 174A REQUIRED FOR TC (COOLING/NO HEAT) UNITS ONLY.
- 14 WIRES 64D, 65E, & 67B ARE USED ON TE (ELECTRIC HEAT) UNITS ONLY. WIRE 35A IS USED ON TC (COOLING) ONLY.
- 18 SEE APPLICABLE VARIABLE FREQUENCY DRIVE DIAGRAM FOR BALANCE OF CIRCUIT.
- 19 PLUGS LOCATED IN MAIN CONTROL PANEL.
- 20 WIRES REQUIRED FOR V.F.D. WITH BYPASS OPTION ONLY.
- 22 SENSOR EET AND WIRES 110A & 111A USED WITH OPTIONAL DEHUMIDIFICATION AND IS ATTACHED TO CIRCUIT 1 FOR 27.5-35 TON UNITS, AND TO CIRCUIT 2 FOR 40-50 TON UNITS.
- 23 WIRE 117A IS REQUIRED TO ENABLE DEHUMIDIFICATION. WIRES 141A AND 142A ARE USED WITH DEHUMIDIFICATION AND CUSTOMER INSTALLED SPACE HUMIDITY SENSOR (SHS). WIRES 112A AND 113A ARE USED WITH DEHUMIDIFICATION AND CUSTOMER INSTALLED HUMIDISTAT (HS).

24 WIRE 62B IS USED ON CV UNITS AND 62A IS USED ON VAV/SZVAV UNITS.
25 DISCONNECT WIRES 368W AND 368V ON HORIZONTAL UNITS.

CONDENSER SECTION WIRING



TRANE	FILE NUMBER: 2313-1280	DRAWING NUMBER: 2313-1305	SHEET: 1 OF 1	REV: A
THIS DRAWING IS PROPRIETARY AND SHALL NOT BE COPIED OR ITS CONTENTS DISCLOSED TO ANY OTHER PARTIES WITHOUT THE CONSENT OF TRANE.				
DRAWN BY: R. JOHNSON	TRANE DATE: 8/10/12	VOYAGER 3		
REPLACES: 2313-0766	REVISION DATE:	RACEWAY DEVICES CONNECTION PRINT		
CAD SYSTEM USED: PRO/DETAIL	SIMILAR TO:	27.5-35 TON		
SINGLE ZONE VARIABLE AIR VOLUME				
36KW / 54KW ELECTRIC HEAT/COOLING ONLY				



HEAT SECTION WIRING

