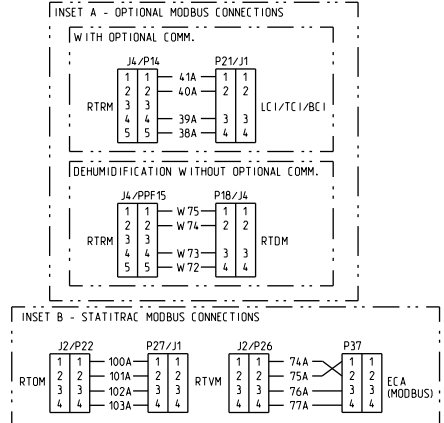
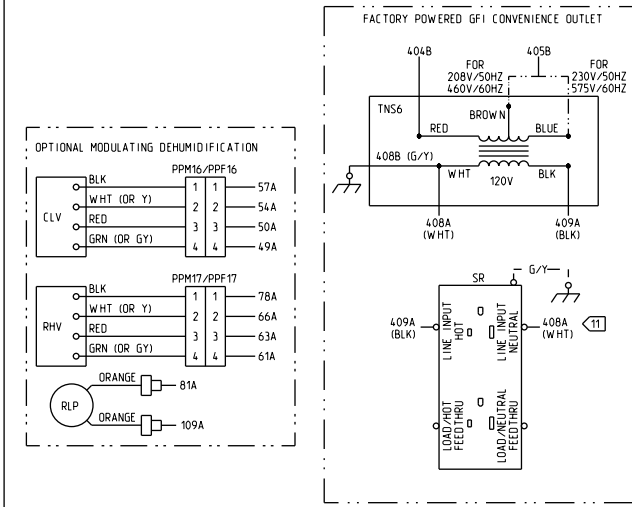


NOTES:

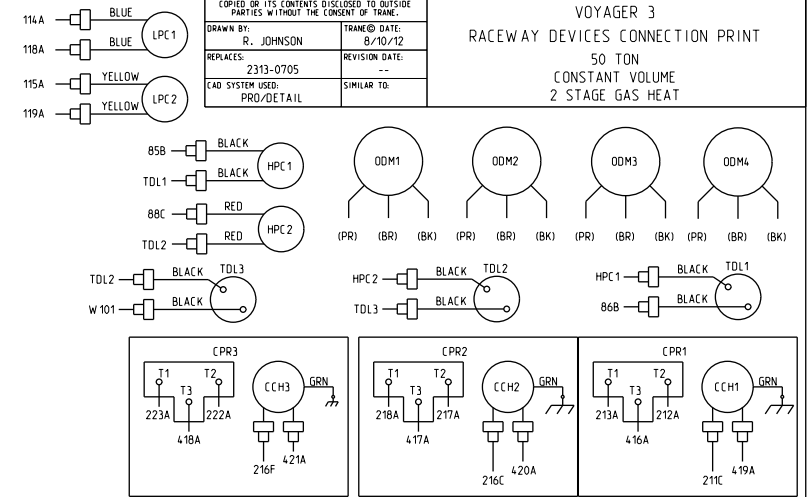
- 1 OPTIONAL DISCHARGE AIR TEMPERATURE SENSOR REQUIRED FOR SUPPLY AIR TEMPERING AND DEHUMIDIFICATION.
- 2 OPTIONAL CLOGGED FILTER SWITCH.
- 3 REQUIRED FOR OPTIONAL VENTILATION OVERRIDE.
- 4 REQUIRED FOR OPTIONAL REFERENCE ENTHALPY CONTROL.
- 5 REQUIRED FOR OPTIONAL COMPARATIVE ENTHALPY CONTROL.
- 6 WIRING SHOWN IS FOR UNITS WITHOUT OPTIONAL COMMUNICATIONS BOARD (LC1/TC1/BC1) OR DEHUMIDIFICATION. FOR OPTIONAL CONNECTIONS, SEE INSET A.
- 7 WIRING SHOWN IS FOR UNITS WITH OPTIONAL ECONOMIZER WITHOUT STATITRAC OPTION. FOR OPTIONAL CONNECTIONS, SEE INSET B.
- 8 REQUIRED FOR OPTIONAL 50% POWERED EXHAUST.
- 9 XFM2 REQUIRED FOR OPTIONAL 100% POWERED EXHAUST.
- 10 REQUIRED FOR OPTIONAL FRESH AIR TRACKING EXHAUST. NOTE: ON STATITRAC UNITS, CONNECTIONS ARE MADE WITH WIRES 182B AND 183B (NOT 182A AND 183A).
- 11 CUSTOMER TO PROVIDE WIRES 408A (WHT), 409A (BLK) AND GROUND WIRE (G/Y) WHEN FIELD POWERED.
- 15 WIRES 51A, 52A, & 53A ARE USED ON LOW HEAT UNITS ONLY. ON HIGH HEAT UNITS, WIRES 51D, 52D, & 53D WILL BE PRESENT.
- 16 UNITS WITH LOW HEAT HAVE SINGLE HEAT EXCHANGER. HIGH HEAT UNITS HAVE TWO HEAT EXCHANGERS.

- 22 SENSOR EET AND WIRES 110A & 111A USED WITH OPTIONAL DEHUMIDIFICATION AND IS ATTACHED TO CIRCUIT 1 FOR 27.5-35 TON UNITS, AND TO CIRCUIT 2 FOR 40-50 TON UNITS.
- 23 WIRE 117A IS REQUIRED TO ENABLE DEHUMIDIFICATION. WIRES 141A AND 142A ARE USED WITH DEHUMIDIFICATION AND CUSTOMER INSTALLED SPACE HUMIDITY SENSOR (SHS). WIRES 112A AND 113A ARE USED WITH DEHUMIDIFICATION AND CUSTOMER INSTALLED HUMIDISTAT (HS).

CONDENSER SECTION WIRING



TRANE		FILE NUMBER: 2313-1280	DRAWING NUMBER: 2313-1295	SHEET: 1 OF 1	REV: A
THIS DRAWING IS PROPRIETARY AND SHALL NOT BE COPIED OR ITS CONTENTS DISCLOSED TO ANY OTHER PARTIES WITHOUT THE CONSENT OF TRANE.					
DRAWN BY: R. JOHNSON		TRANE DATE: 8/10/12		VOYAGER 3	
REPLACES: 2313-0705		REVISION DATE:		RACEWAY DEVICES CONNECTION PRINT	
CAD SYSTEM USED: PRO/DETAIL		SIMILAR TO:		50 TON CONSTANT VOLUME 2 STAGE GAS HEAT	



HEAT SECTION WIRING

