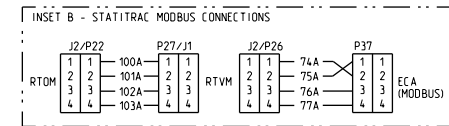
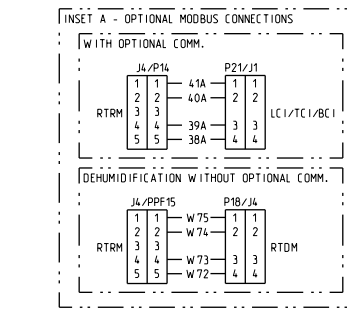
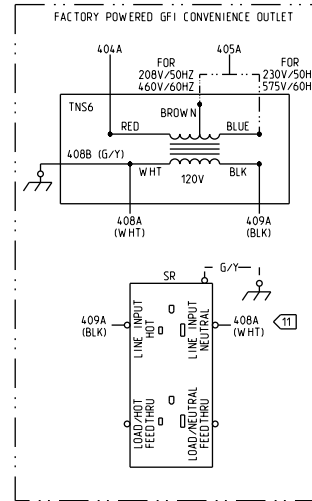
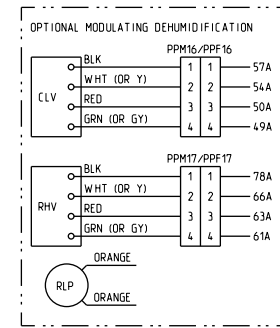


- NOTES:
- 1 OPTIONAL DISCHARGE AIR TEMPERATURE SENSOR REQUIRED FOR SUPPLY AIR TEMPERING AND DEHUMIDIFICATION.
 - 2 OPTIONAL CLOGGED FILTER SWITCH.
 - 3 REQUIRED FOR OPTIONAL VENTILATION OVERRIDE.
 - 4 REQUIRED FOR OPTIONAL REFERENCE ENTHALPY CONTROL.
 - 5 REQUIRED FOR OPTIONAL COMPARATIVE ENTHALPY CONTROL.
 - 6 WIRING SHOWN IS FOR UNITS WITHOUT OPTIONAL COMMUNICATIONS BOARD (LC1/TC1/BC1) OR DEHUMIDIFICATION. FOR OPTIONAL CONNECTIONS, SEE INSET A.
 - 7 WIRING SHOWN IS FOR UNITS WITH OPTIONAL ECONOMIZER WITHOUT STATITRAC OPTION. FOR OPTIONAL CONNECTIONS, SEE INSET B.
 - 8 REQUIRED FOR OPTIONAL 50% POWERED EXHAUST.
 - 9 XFM2 REQUIRED FOR OPTIONAL 100% POWERED EXHAUST.
 - 10 REQUIRED FOR OPTIONAL FRESH AIR TRACKING EXHAUST. NOTE: ON STATITRAC UNITS, CONNECTIONS ARE MADE WITH WIRES 182B AND 183B (NOT 182A AND 183A).
 - 11 CUSTOMER TO PROVIDE WIRES 408A (WHT), 409A (BLK) AND GROUND WIRE (G/Y) WHEN FIELD POWERED.
 - 12 WIRE 36AE IS NOT USED FOR 35 TON UNITS.
 - 13 WIRE 174A REQUIRED FOR TC (COOLING/NO HEAT) UNITS ONLY.
 - 14 WIRES 64D, 65E, & 67B ARE USED ON TE (ELECTRIC HEAT) UNITS ONLY. WIRE 35A IS USED ON TC (COOLING) ONLY.

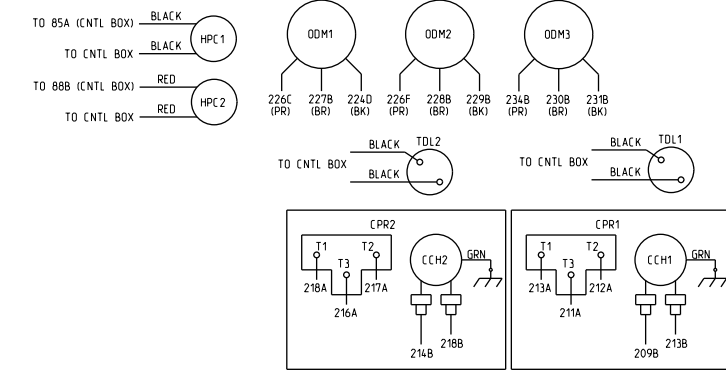
FUSE REPLACEMENT TABLE			
FU1 FU2	380-415V 460-575V	CLASS CC	15 AMP
FU3 FU4	380-415V 460-575V	N/A	N/A
FU5 FU6 FU30	380-415V 460-575V	CLASS CC	5 AMP
FU20 FU21	460-575V	CLASS CC	5 AMP
FU11 FU19	380-575V	TYPE RKS	60 AMP



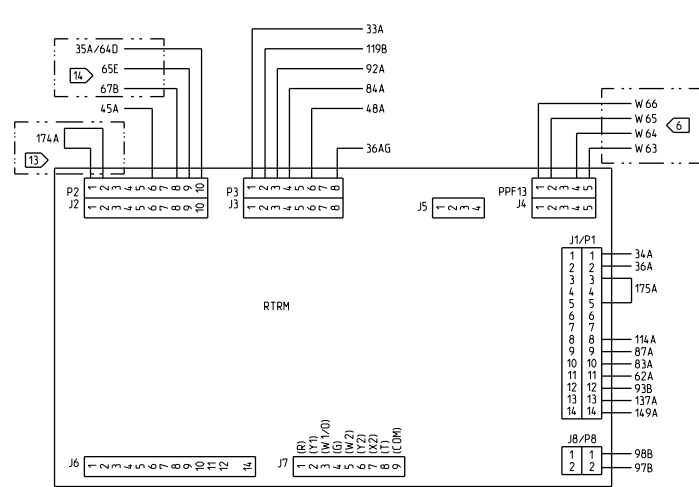
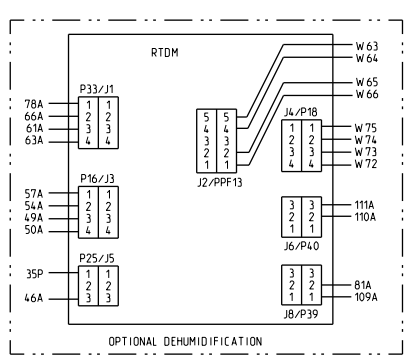
CONDENSER SECTION WIRING



11 X 17 METAL PLATE	TRANE	FILE NUMBER: 2313-0663	DRAWING NUMBER: 2313-0664	SHEET: 1 OF 1	REV D
TO 114A (CNTL BOX) BLUE (LPC1)		THIS DRAWING IS PROPRIETARY AND SHALL NOT BE COPIED OR ITS CONTENTS DISCLOSED TO ANY OTHER PARTIES WITHOUT THE CONSENT OF TRANE.			
TO 116A (CNTL BOX) BLUE (LPC1)		DRAWN BY: B. WALDEN			
TO 85A (CNTL BOX) BLACK (HPC1)		TRANE DATE: 8/20/09			
TO 88B (CNTL BOX) RED (HPC2)		REPLACES:			
TO 85A (CNTL BOX) BLACK (HPC1)		REVISION DATE: 14-Jan-10			
TO 88B (CNTL BOX) RED (HPC2)		SIMILAR TO:			
TO 85A (CNTL BOX) BLACK (HPC1)		CAD SYSTEM USED: PRO/DETAIL			
TO 88B (CNTL BOX) RED (HPC2)		VOYAGER 3			
TO 85A (CNTL BOX) BLACK (HPC1)		RACEWAY DEVICES CONNECTION PRINT			
TO 88B (CNTL BOX) RED (HPC2)		27.5-35 TON			
TO 85A (CNTL BOX) BLACK (HPC1)		CONSTANT VOLUME			
TO 88B (CNTL BOX) RED (HPC2)		36KW/54KW ELECTRIC HEAT			



- 22 SENSOR EET AND WIRES 110A & 111A USED WITH OPTIONAL DEHUMIDIFICATION AND IS ATTACHED TO CIRCUIT 1 FOR 27.5-35 TON UNITS, AND TO CIRCUIT 2 FOR 40-50 TON UNITS.
- 23 WIRE 117A IS REQUIRED TO ENABLE DEHUMIDIFICATION. WIRES 141A AND 142A ARE USED WITH DEHUMIDIFICATION AND CUSTOMER INSTALLED SPACE HUMIDITY SENSOR (SHS). WIRES 112A AND 113A ARE USED WITH DEHUMIDIFICATION AND CUSTOMER INSTALLED HUMIDISTAT (HST).



HEAT SECTION WIRING

